



# FACT FRAME

INSTALLATION INSTRUCTION: Inter Connect

COMMSCOPE®

## FACT FRAME INTER CONNECT

### Contents

1. General product information .....	2	6. Frame Labeling .....	11
2. Warnings and caution .....	2	7. Side To Side / Back To Back Mount .....	12
3. Kit content.....	2	8. Wall Mount.....	13
4. Frame Assembly.....	4	9. Trade-marks .....	16
5. Routing Parts Assembly.....	9	10. Contact Information.....	16

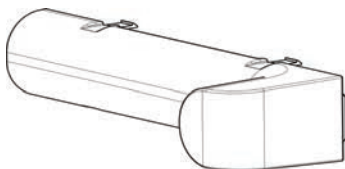
## 1. General product information

CommScope’s all-purpose, easy-to-use FACT inter connect frames are designed to meet today’s and tomorrow’s high-density network needs. The front access frame provides full access to both sides of all connections, for a more compact effective footprint. The inter connect frame is available with Right Hand Patching (RHP). The FACT frames can be mounted on the floor, free standing or against a wall. The inter connect frame is a standalone frame, can house up to 2880 single LC connections and it comes with side panels. Engineered bend control during routing maintains superior optical performance and easy access to cables, pigtails and jumpers during installation, operation, maintenance and upgrades. Cable attachment plates are incorporated into the side ducts. The inter connect frames includes a jumper overlength storage bay.

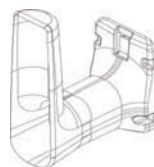
## 2. Warnings and caution

- Fiber optic cables may be damaged if bent or curved to a radius that is less than the recommended minimum bend radius. Always observe the recommended bend radius limit when installing fiber optic cables and patch cords.
- Exposure to laser radiation can seriously damage the retina of the eye. Do not look into the ends of any optical fiber. Do not assume the laser power is turned off or that the fiber is disconnected at the other end.

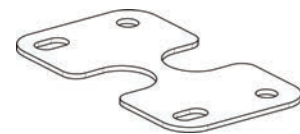
## 3. Kit content



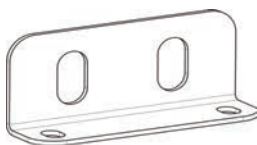
**4x** Collector Edge



**13x** Hook Drum



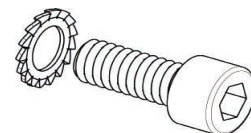
**2x** Connection Plate



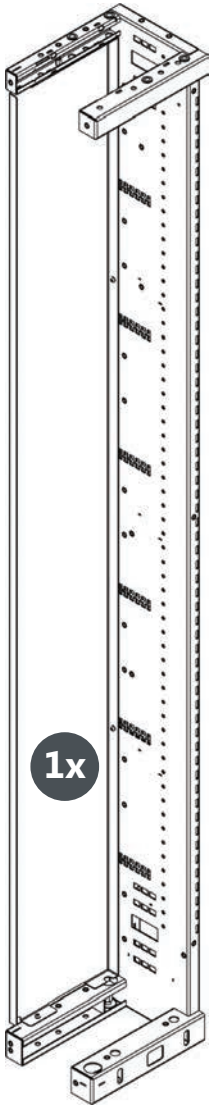
**2x** Wall Plate



**22x** M6 Bolt+Washer

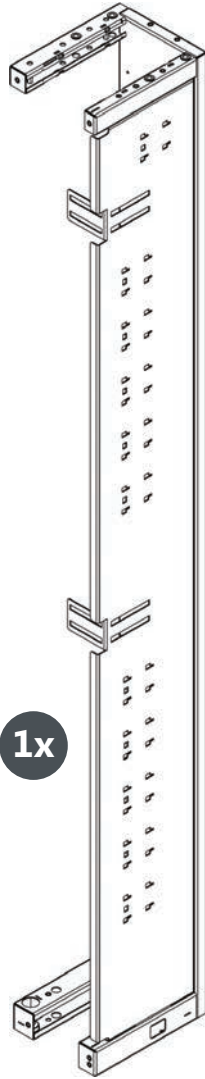


**4x** M10 Bolt+Washer



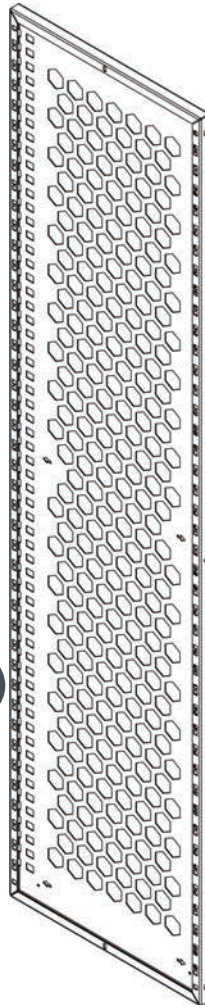
1x

Side Duct Left 150



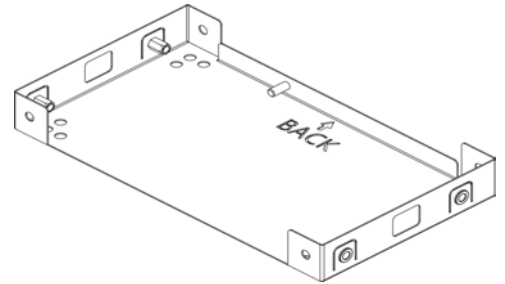
1x

Side Duct Right 150



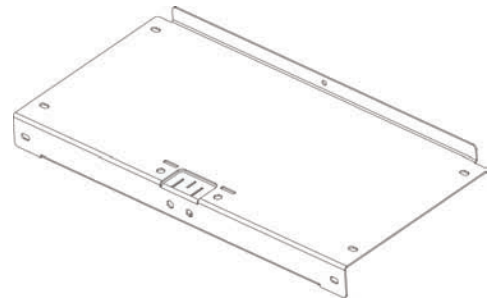
1x

Back Plate CC



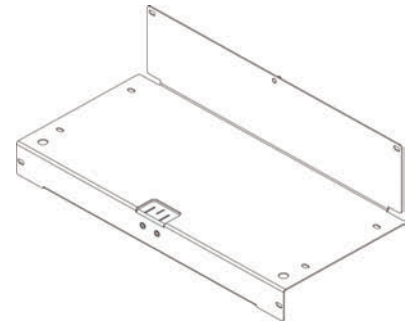
1x

Floor Template



1x

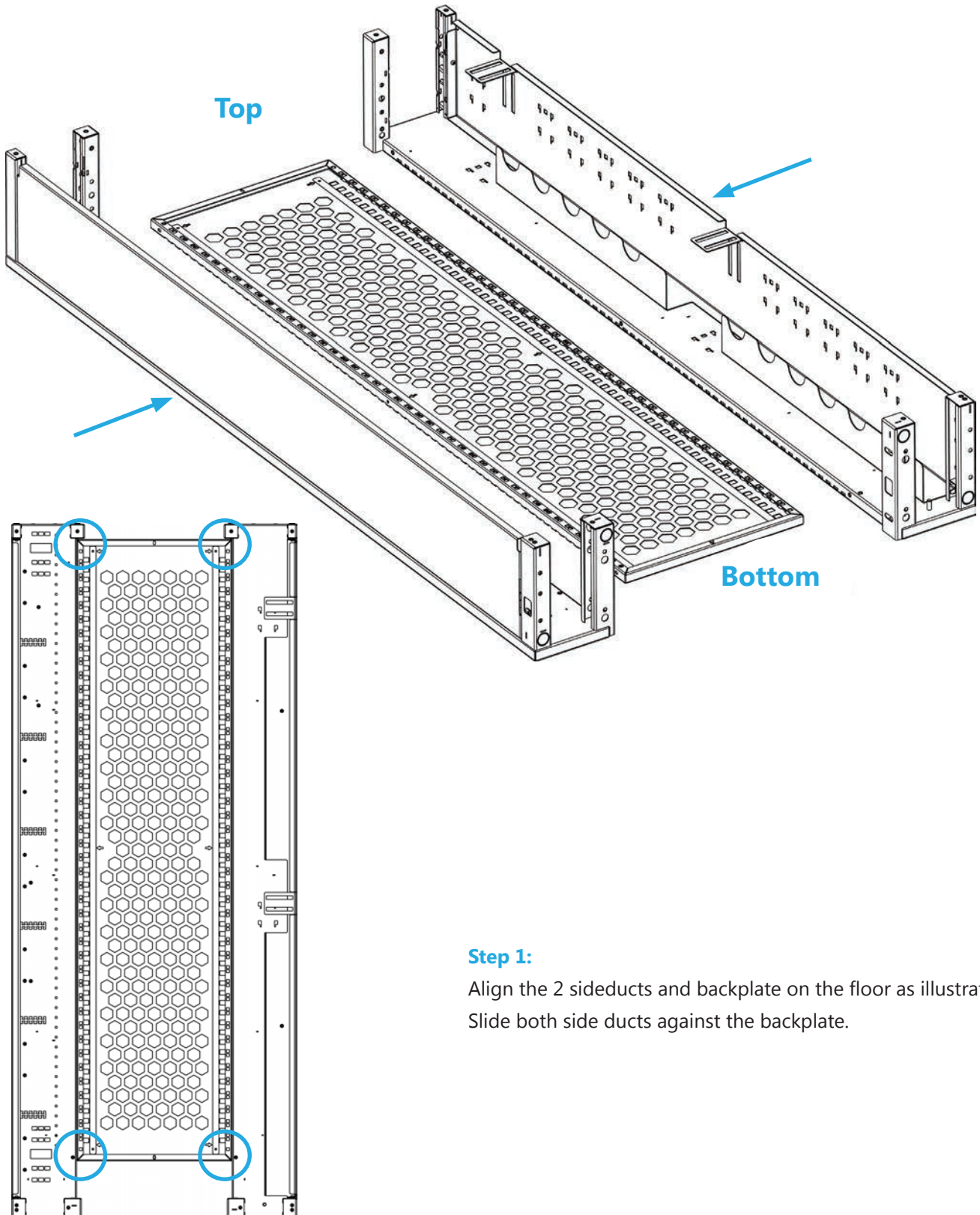
Frame Center Top



1x

Frame Center Bottom

## 4. Frame Assembly - Step 1

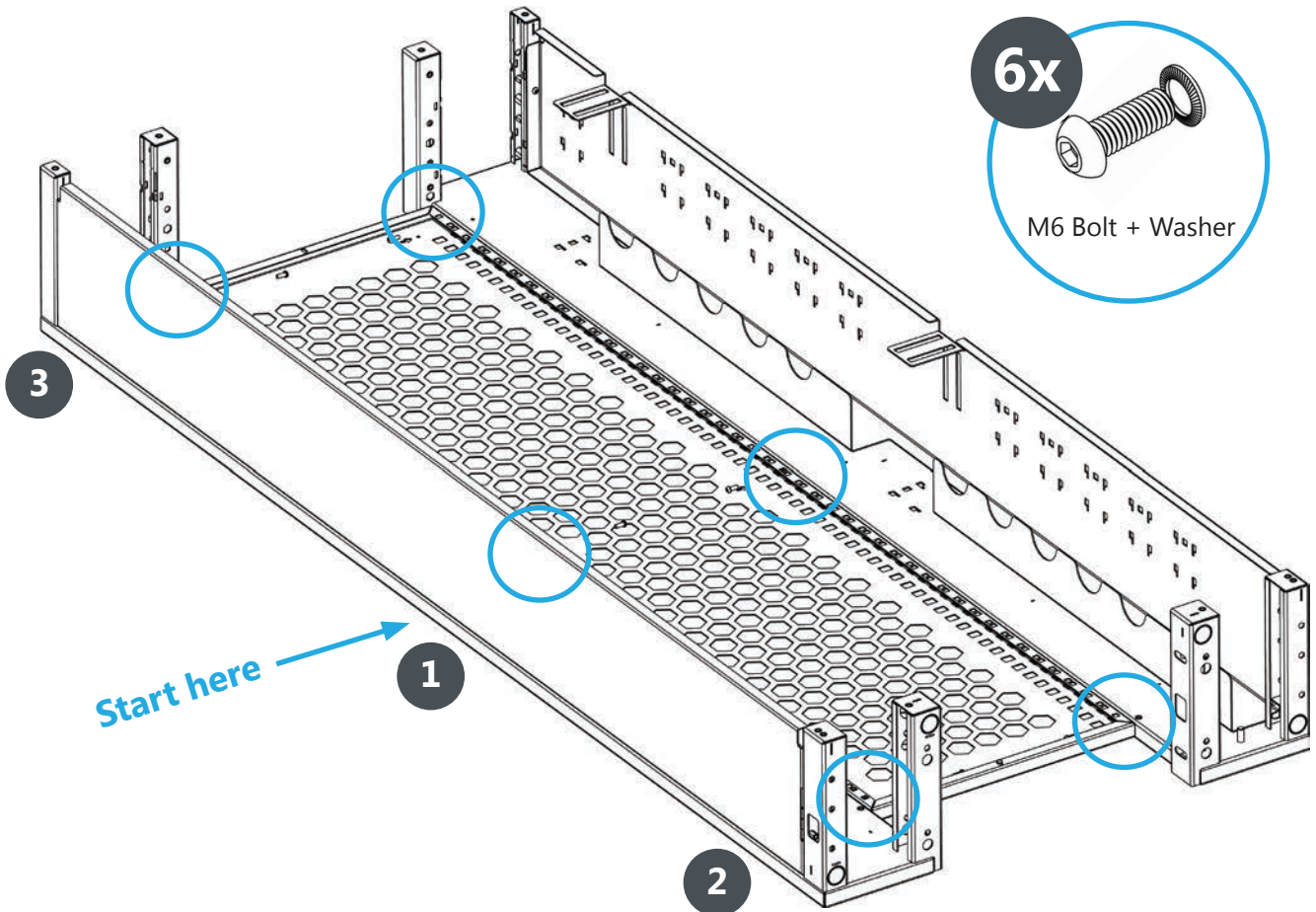


**Step 1:**

Align the 2 sideducts and backplate on the floor as illustrated. Slide both side ducts against the backplate.



4. Frame Assembly - Step 2



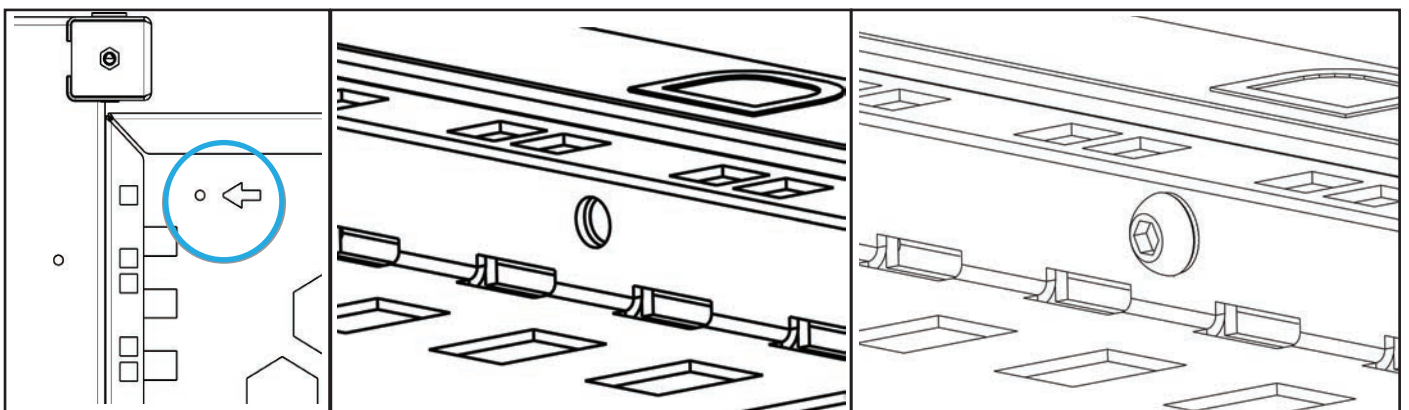
**Step 2:**

Join the backplate to the side ducts with six M6 bolts + washers.

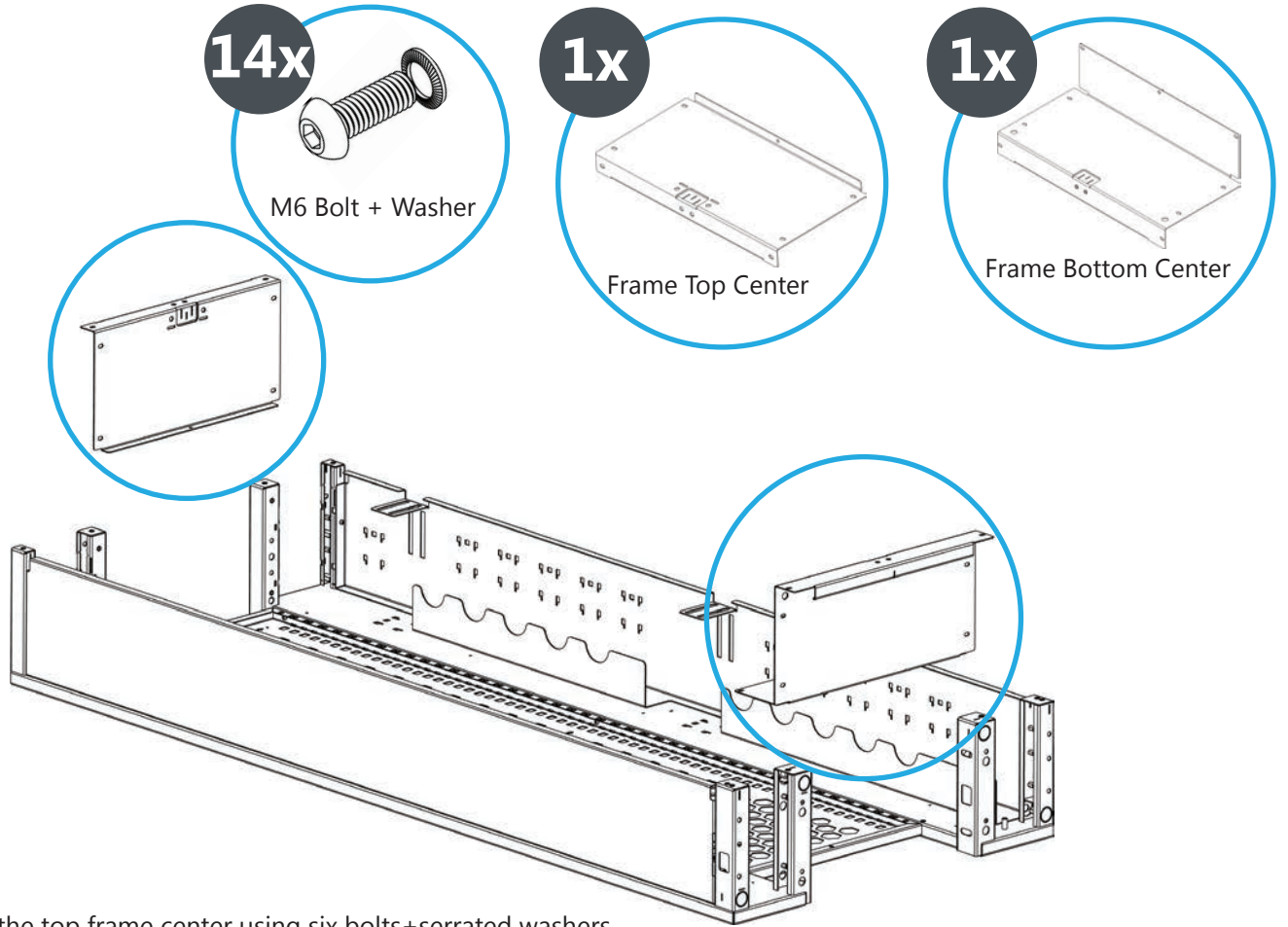
!Start with the 2 middle bolts.

!Make sure that the alignment is correct before screwing these in.

Positions for the bolts are indicated on the backplate with an arrow.

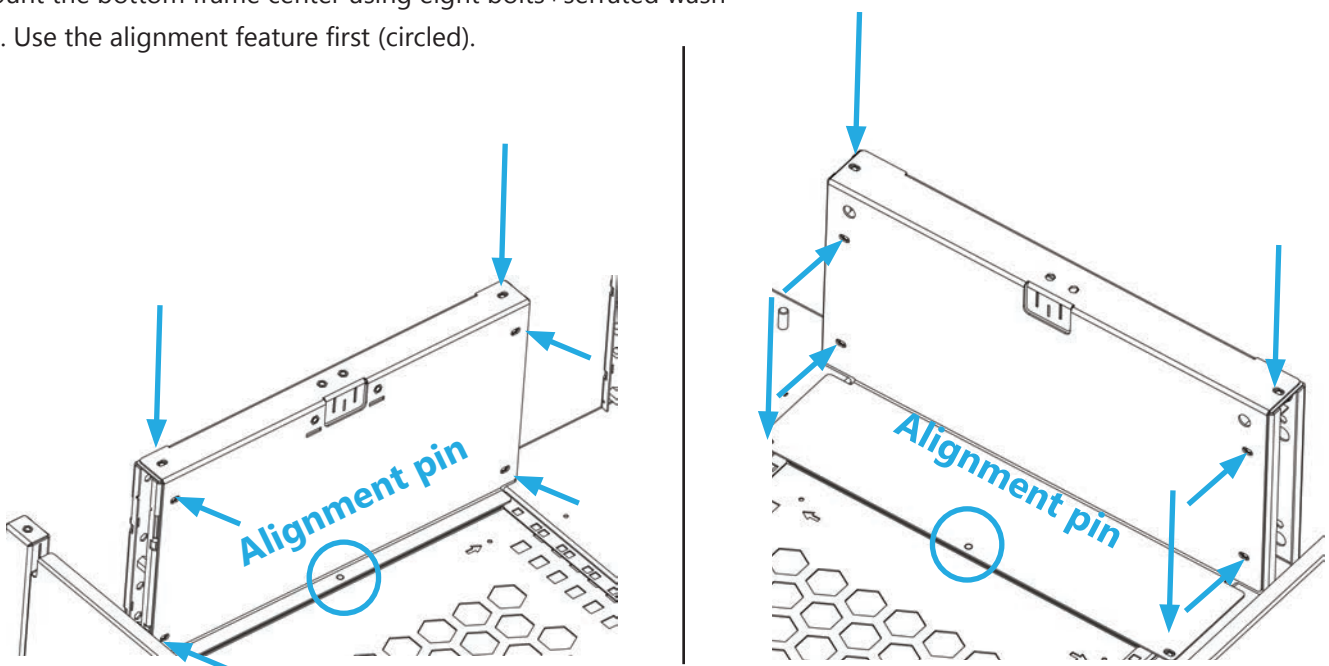


4. Frame Assembly - Step 3

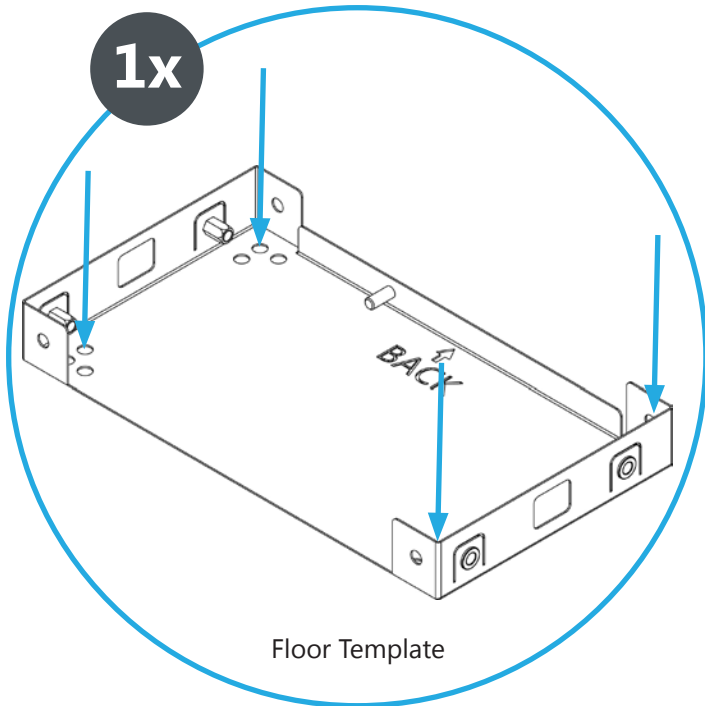


**Step 3:**

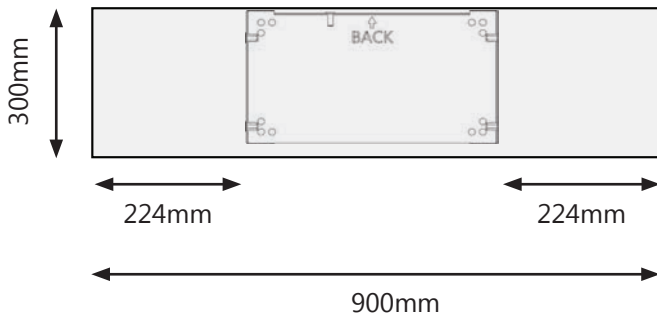
Mount the top frame center using six bolts+serrated washers. Mount the bottom frame center using eight bolts+serrated washers. Use the alignment feature first (circled).



4. Frame Assembly - Step 4



Floor Template

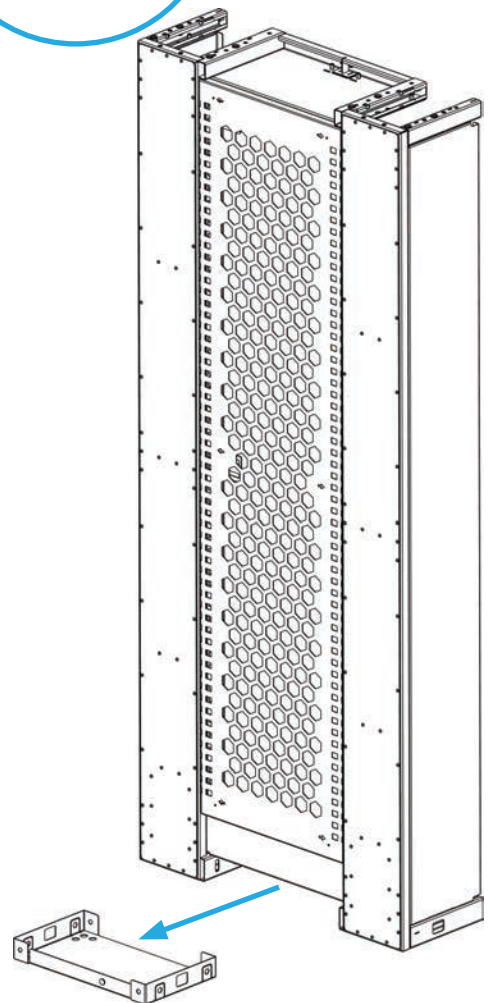


**Step 4a:**

- \* Place the floor template and fixate it to the floor.
- \* The bolts that are used to mount the floor template are not included.



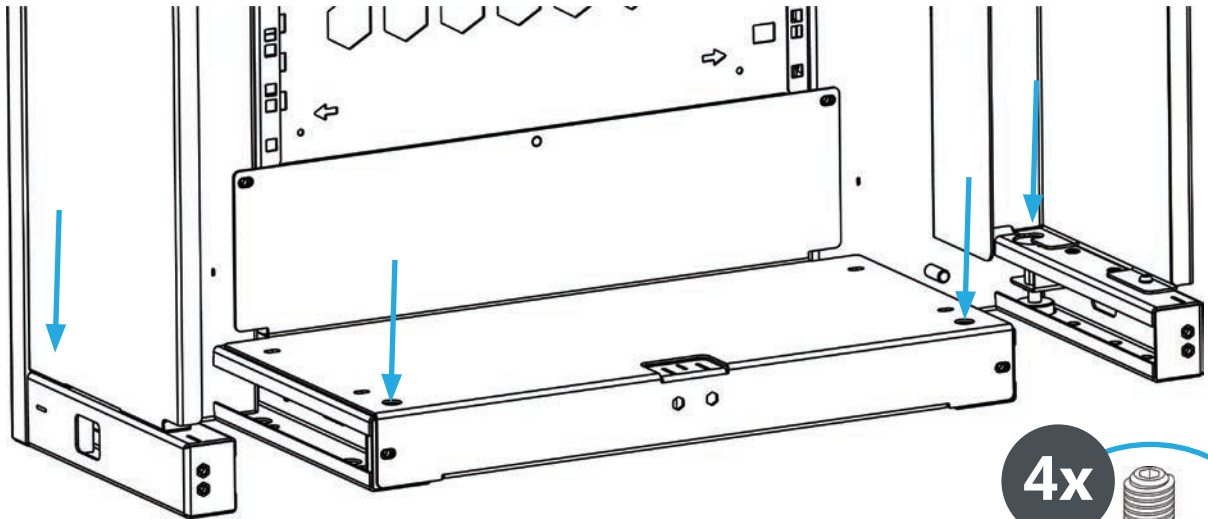
2x



**Step 4b:**

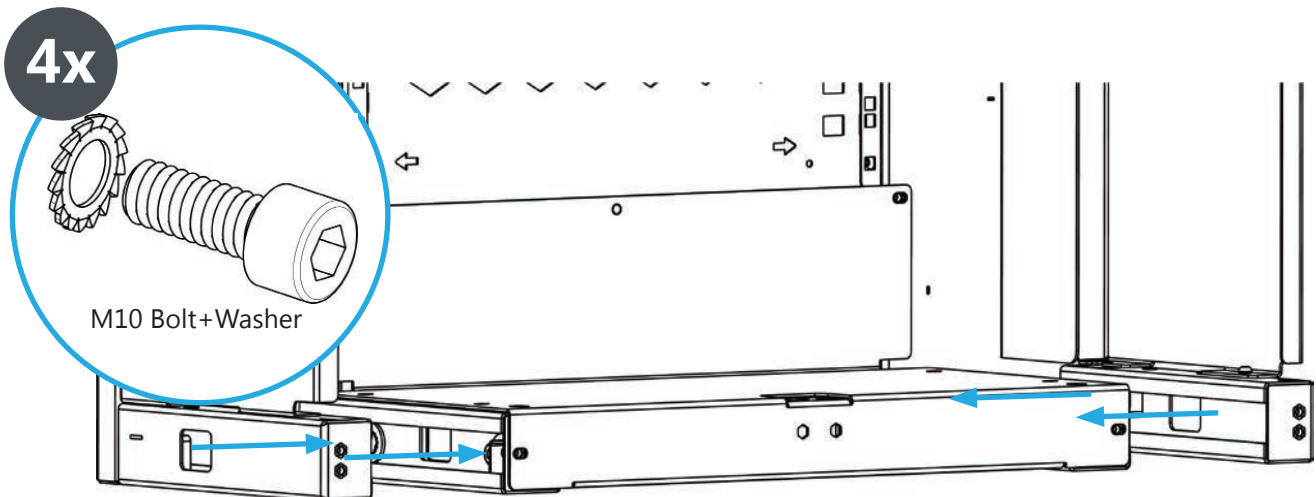
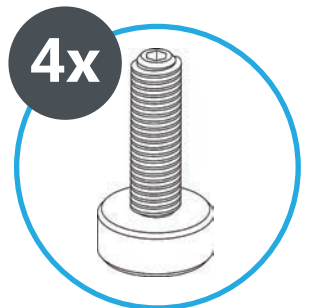
- \* Lift the frame and slide it over the floor template
- \* ! It requires 2 installers as it is a heavy frame.

## 4. Frame Assembly - Step 5



### Step 5a:

- \* !Level the frame before bolting it to the floor template.
- \* There are 4 leveling feet that can be adjusted.

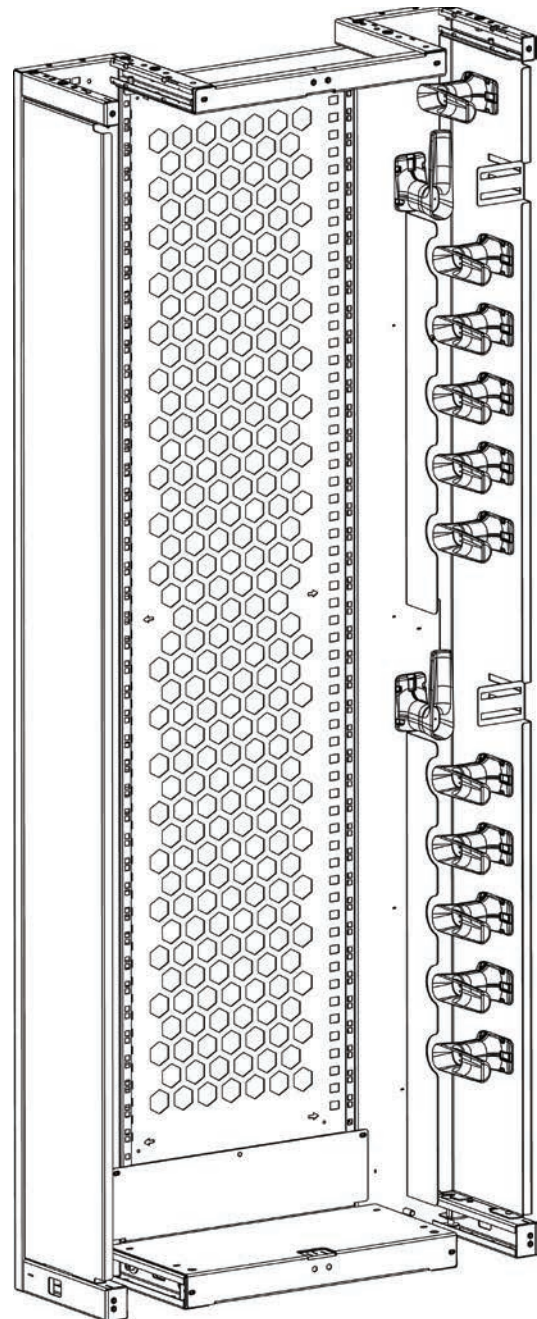
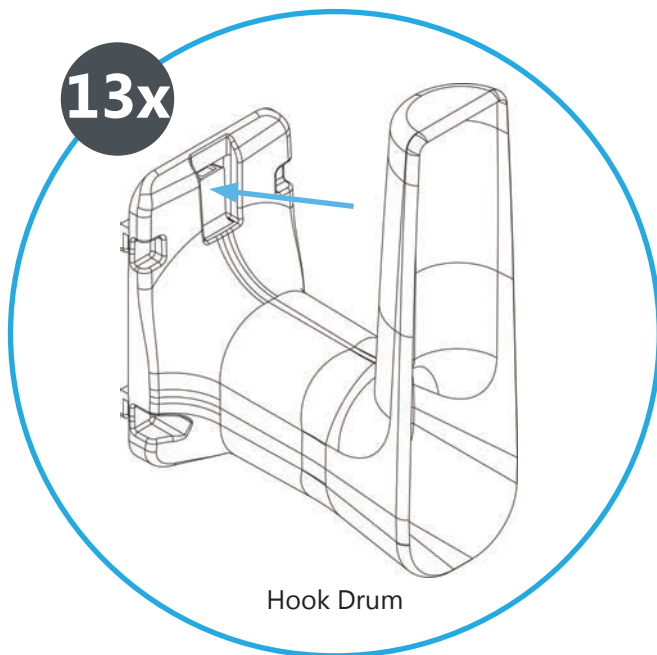


### Step 5b:

- Bolt the frame to the template, using 4x M10 bolts + serrated washers.



## 5. Routing Parts Assembly - Step 6



### Step 6:

\* To mount a hook drum:

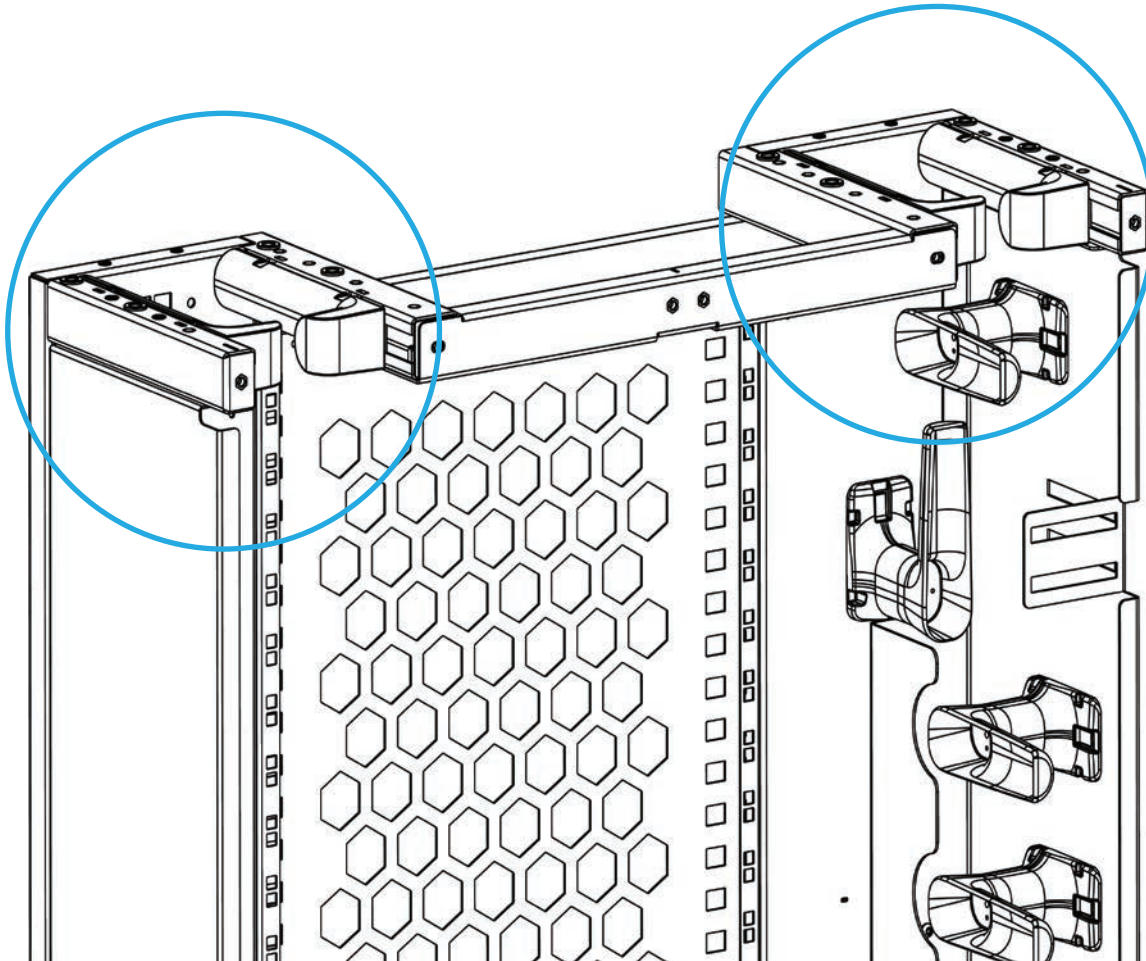
Push the drum through the openings (pattern).

Slide down the drum until it's fully "clicked".

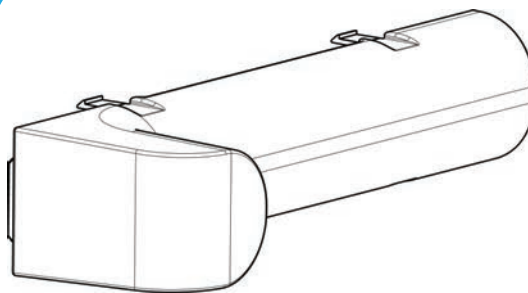
\* To release a hook drum:

Pull back the snap hook (as indicated with the arrow) and lift the drum out.

## 5. Routing Parts Assembly - Step 7



4x

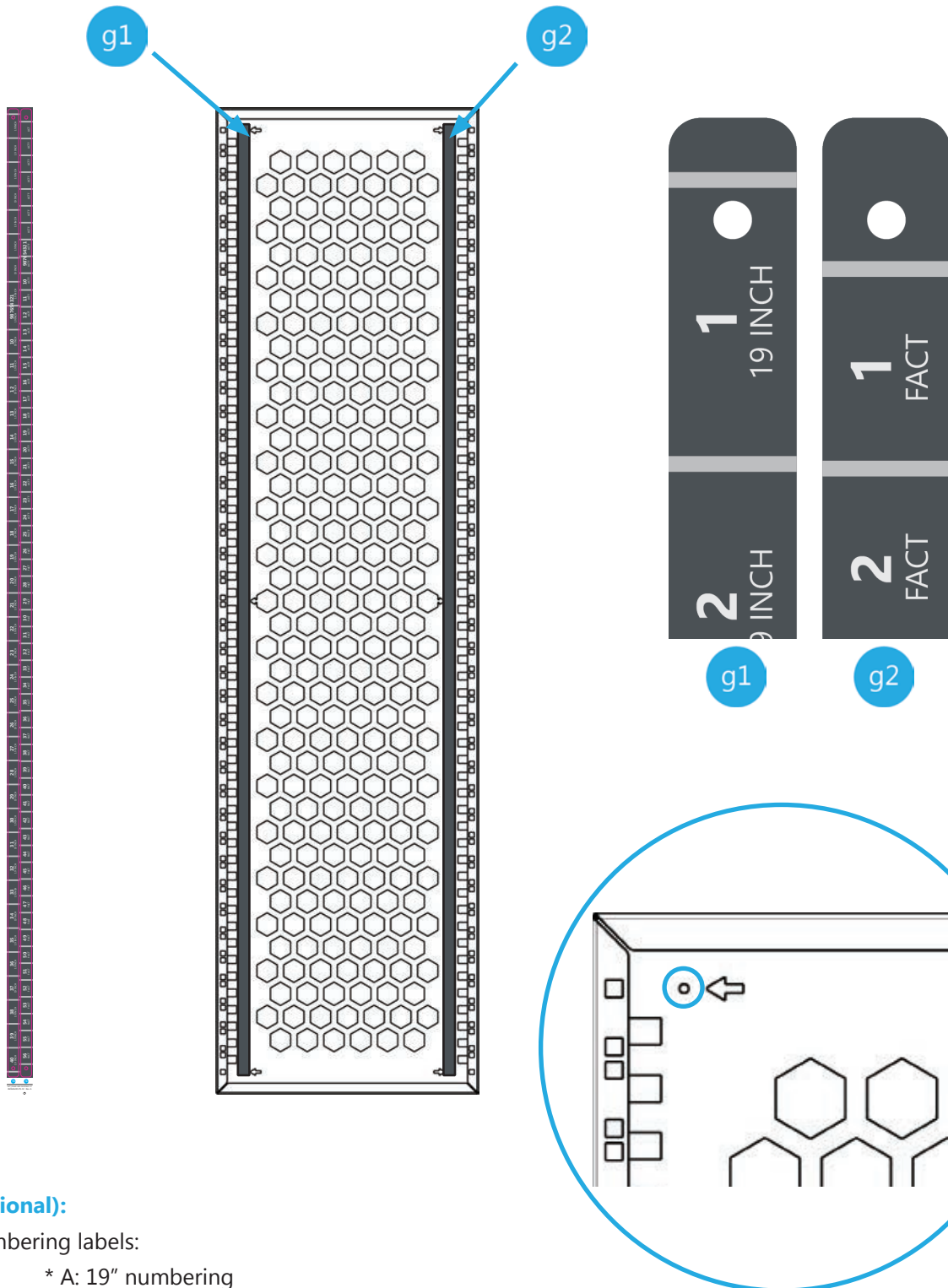


Collector Edge

### Step 7:

Mount the collector edges.

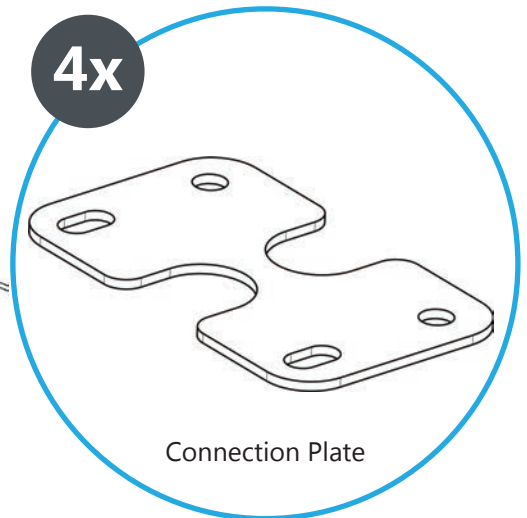
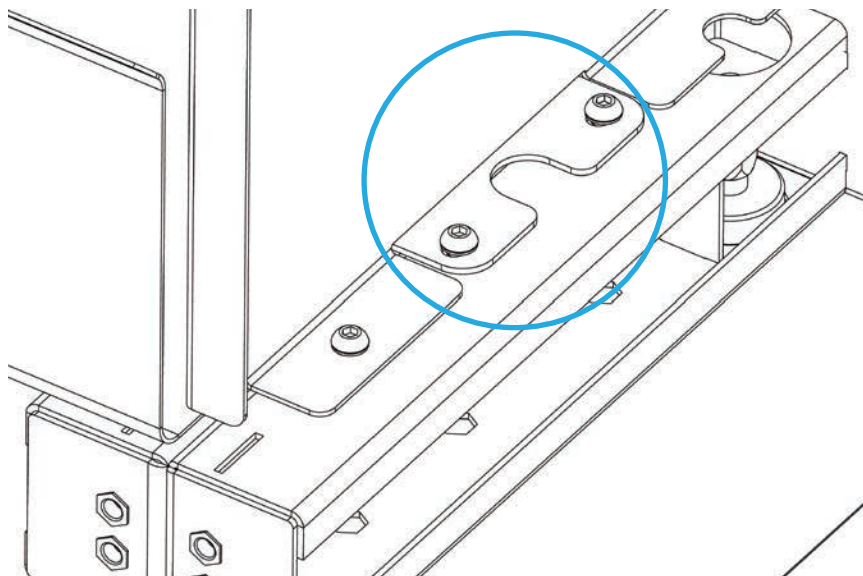
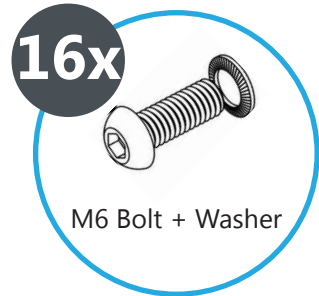
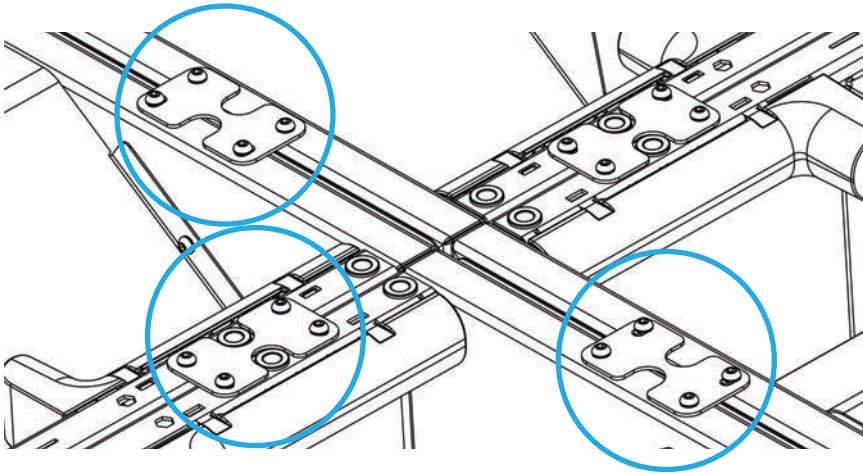
## 6. Frame Labeling - Step 8



### Step 8 (optional):

- \* Place numbering labels:
  - \* A: 19" numbering
  - \* B: FACT numbering
- \* Use alignment holes for proper alignment of the labels.

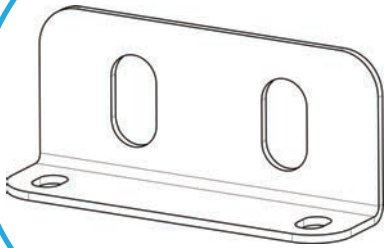
## 7. Side To Side Mount / Back To Back Mount





## 8. Wall Mount

2x

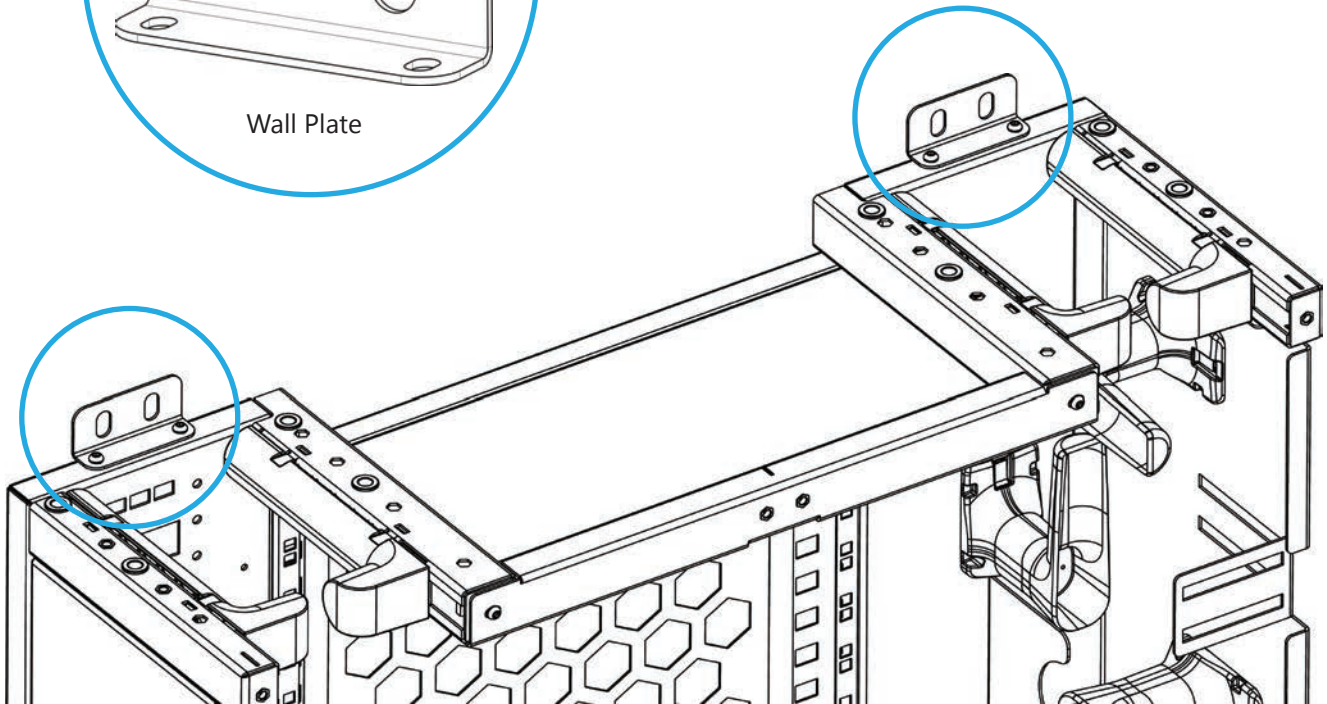


Wall Plate

4x



M6 Bolt + Washer







## 9. Trade-marks:

All trademarks identified by ® or ™ are registered trademarks or trademarks, respectively, of CommScope, Inc. This document is for planning purposes only and is not intended to modify or supplement any specifications or warranties relating to CommScope products or services. CommScope is committed to the highest standards of business integrity and environmental sustainability, with a number of CommScope's facilities across the globe certified in accordance with international standards, including ISO9001, TL 9000, and ISO 14001. Further information regarding CommScope's commitment can be found at:

[www.commscope.com/About-Us/Corporate-Responsibilityand-Sustainability](http://www.commscope.com/About-Us/Corporate-Responsibilityand-Sustainability).

## 10. Contact Information:

Visit our website or contact your local CommScope representative for more information.

For technical assistance, customer service, or to report any missing/damaged parts, visit us at:

<http://www.commscope.com/SupportCenter>

This product is covered by one or more U.S. patents or their foreign equivalents. For patents, see

[www.commscope.com/ProductPatent/ProductPatent.aspx](http://www.commscope.com/ProductPatent/ProductPatent.aspx)

© 2019 Commscope,  
Inc. All Rights Reserved