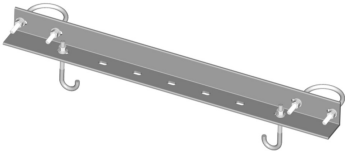


# WB-CS24-3

---



Safety Grated Channel Support, 24 in wide for 3-1/2 in OD pipe

## Product Classification

**Product Type** Support bracket

## General Specifications

**Application** Waveguide bridge kit, 24 in

**Mounting** Pipe, 88.9 mm (3-1/2 in) OD

## Dimensions

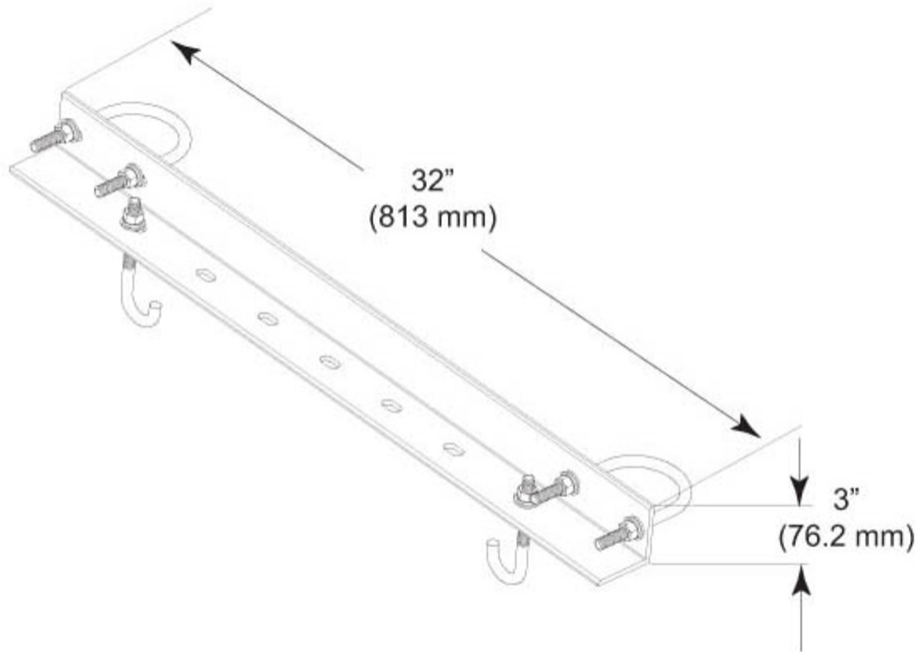
**Height** 101.6 mm | 4 in

**Width** 812.8 mm | 32 in

**Length** 101.6 mm | 4 in

# WB-CS24-3

## Outline Drawing



## Material Specifications

**Material Type** Hot dip galvanized steel

## Packaging and Weights

**Included** Channel support bracket | Hardware

**Packaging quantity** 1

**Weight, net** 8.2 kg | 18.078 lb

## Regulatory Compliance/Certifications

Agency	Classification
CHINA-ROHS	Above maximum concentration value
ISO 9001:2015	Designed, manufactured and/or distributed under this quality management system
ROHS	Compliant/Exempted
UK-ROHS	Compliant/Exempted

