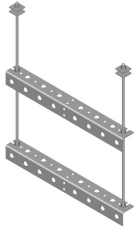


WB-TD12



Trapeze Kit, 12 in wide, two rungs

Product Classification

Product Type Trapeze kit

General Specifications

Application Waveguide bridge kit, 12 in

Cable Runs, quantity 8

Hole, quantity 8

Mounting Waveguide bridge channel

Rungs, quantity 2

Dimensions

Height 101.6 mm | 4 in

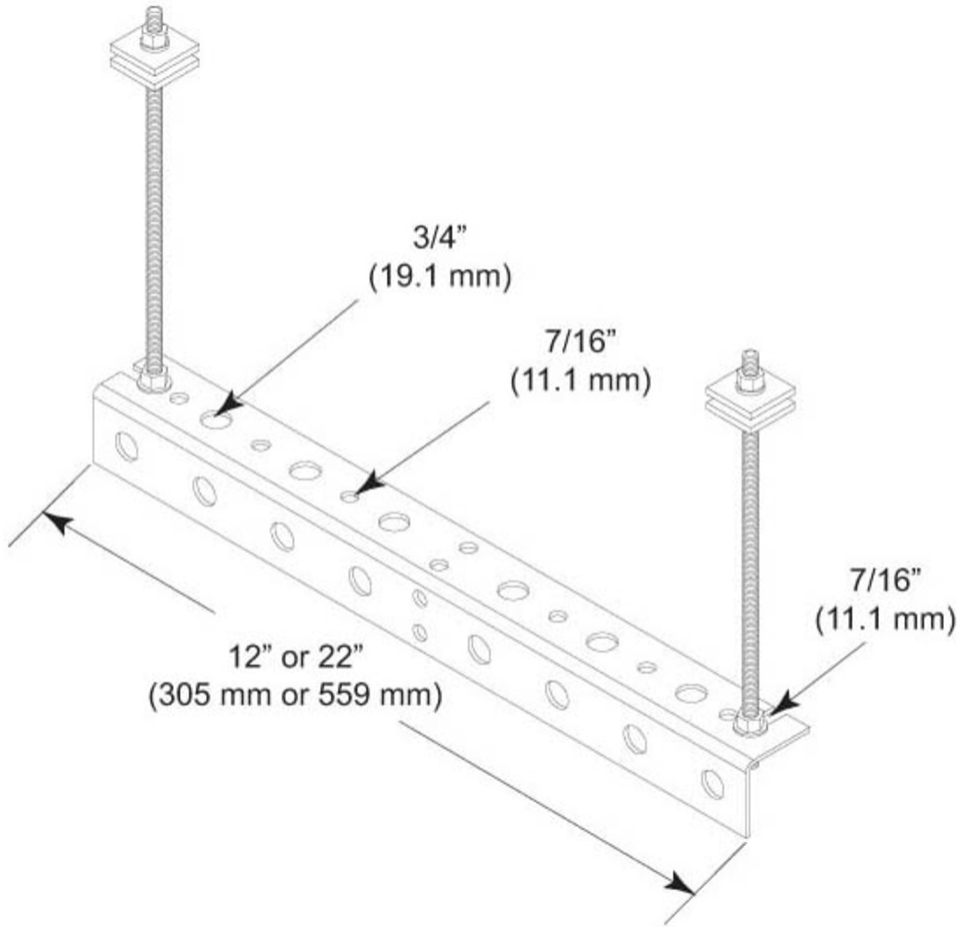
Width 304.8 mm | 12 in

Length 152.4 mm | 6 in

Hole Size 3/4 in | 7/16 in

WB-TD12

Outline Drawing



Material Specifications

Material Type Hot dip galvanized steel

Packaging and Weights

Included Angle brackets | Hardware | Threaded rod

Packaging quantity 1

Weight, net 2.3 kg | 5.071 lb

Regulatory Compliance/Certifications

Agency **Classification**

WB-TD12

CHINA-ROHS	Below maximum concentration value
ISO 9001:2015	Designed, manufactured and/or distributed under this quality management system
REACH-SVHC	Compliant as per SVHC revision on www.commscope.com/ProductCompliance
ROHS	Compliant
UK-ROHS	Compliant

