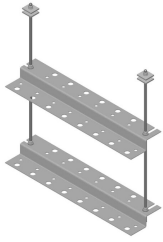


WB-TK24D



Trapeze Kit, 24 in wide, two rungs

Product Classification

Product Type Trapeze kit

General Specifications

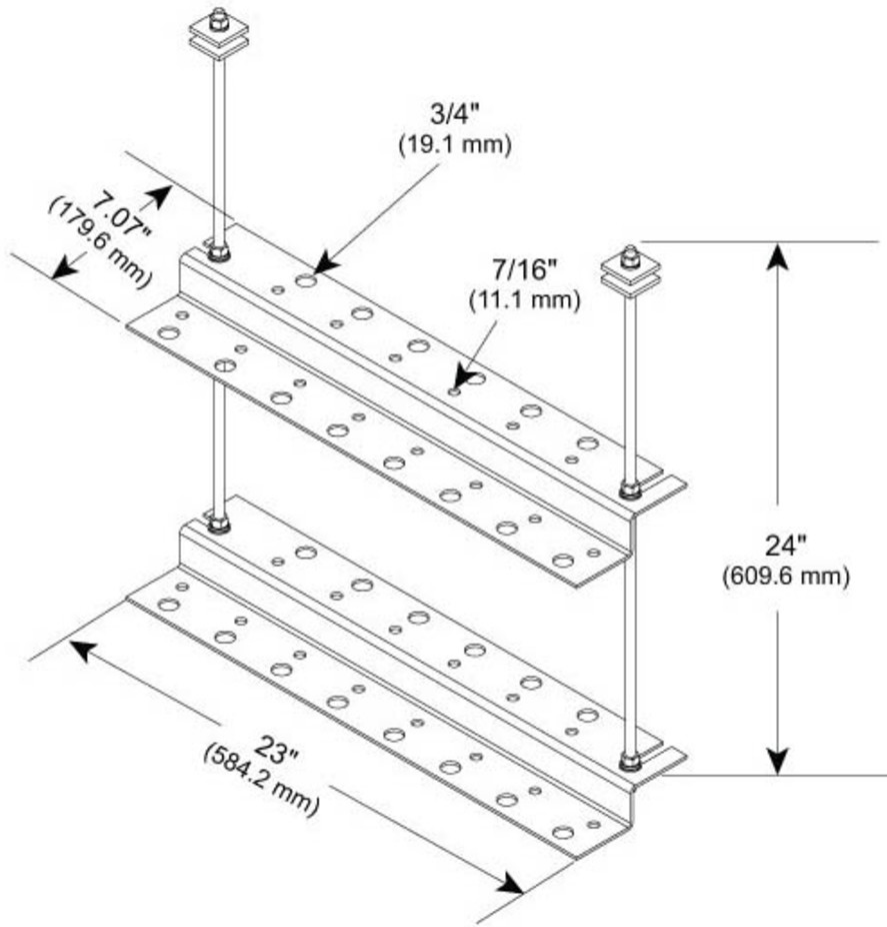
Application Waveguide bridge kit, 24 in
Cable Runs, quantity 28
Hole, quantity 24
Mounting Waveguide bridge channel
Rungs, quantity 1

Dimensions

Height 101.6 mm | 4 in
Width 609.6 mm | 24 in
Length 152.4 mm | 6 in
Hole Size 3/4 in | 7/16 in

WB-TK24D

Outline Drawing



Material Specifications

Material Type Hot dip galvanized steel

Packaging and Weights

Included Hardware | Threaded rod | Z-bracket

Packaging quantity 1

Weight, net 5.9 kg | 13.007 lb

Regulatory Compliance/Certifications

Agency **Classification**

WB-TK24D

CHINA-ROHS	Below maximum concentration value
ISO 9001:2015	Designed, manufactured and/or distributed under this quality management system
REACH-SVHC	Compliant as per SVHC revision on www.commscope.com/ProductCompliance
ROHS	Compliant
UK-ROHS	Compliant



Included Products

- ZB-H8 – Horizontal Z-bracket, 23 in, for 14 coaxial cable runs