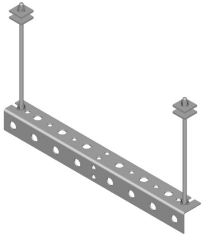


WB-TS24



Trapeze Kit, 24 in wide, one rung

Product Classification

Product Type Trapeze kit

General Specifications

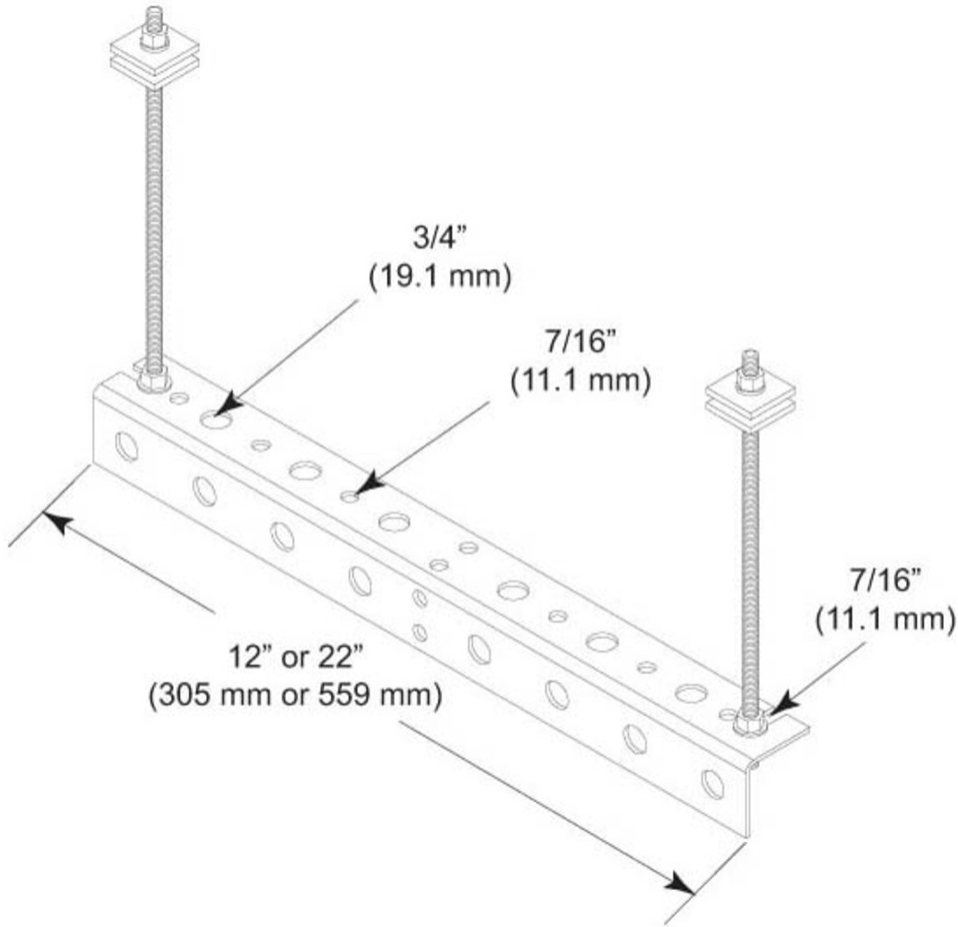
Application Waveguide bridge kit, 24 in
Cable Runs, quantity 6
Hole, quantity 6
Mounting Waveguide bridge channel
Rungs, quantity 1

Dimensions

Height 76.2 mm | 3 in
Width 609.6 mm | 24 in
Length 76.2 mm | 3 in
Hole Size 3/4 in | 7/16 in

WB-TS24

Outline Drawing



Material Specifications

Material Type Hot dip galvanized steel

Packaging and Weights

Included Angle brackets | Hardware | Threaded rod

Packaging quantity 1

Weight, net 1.9 kg | 4.189 lb

Regulatory Compliance/Certifications

Agency **Classification**

WB-TS24

CHINA-ROHS	Above maximum concentration value
ISO 9001:2015	Designed, manufactured and/or distributed under this quality management system
ROHS	Compliant/Exempted
UK-ROHS	Compliant/Exempted

