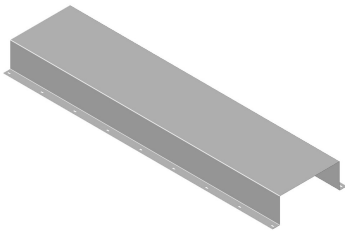


# WC-SC8D

---



Z-bracket, Wall Coaxial Cable Support Covers for SnapStak® Snap-in Hangers, 12 coaxial cable runs

## Product Classification

**Product Type** Cover

## General Specifications

**Cable Runs, quantity** 12

**Mounting** Walls

## Dimensions

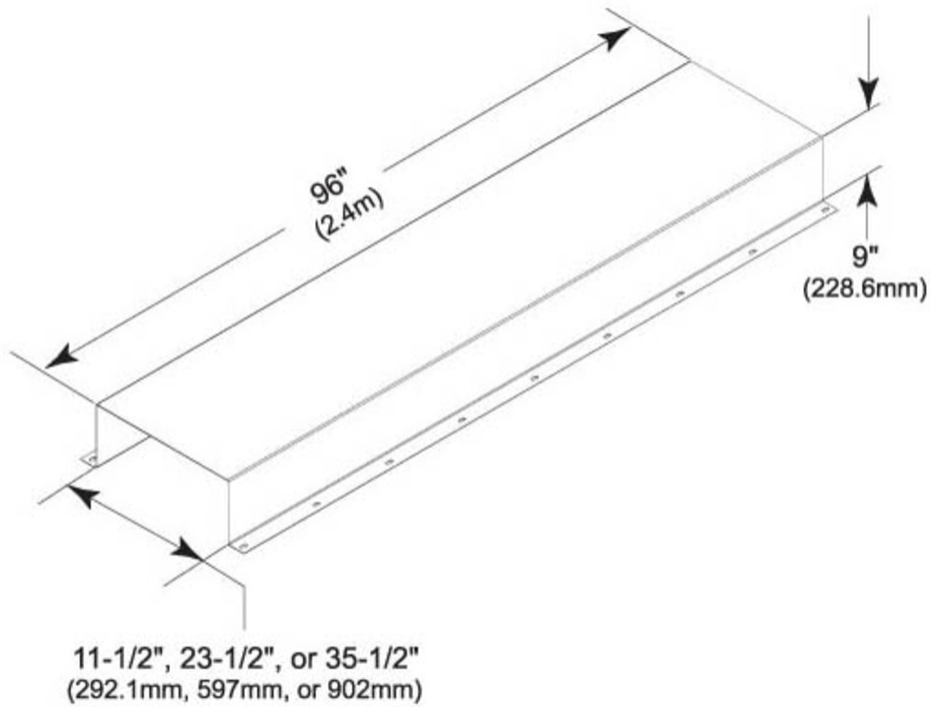
**Height** 228.6 mm | 9 in

**Width** 609.6 mm | 24 in

**Length** 2,438.4 mm | 96 in

# WC-SC8D

## Outline Drawing



## Material Specifications

**Material Type** Galvanized steel

## Mechanical Specifications

**Wind Rating** For Specifications, please contact [steelproducts@commscope.com](mailto:steelproducts@commscope.com) or call 800-255-1479

## Packaging and Weights

**Included** Cover  
**Packaging quantity** 1  
**Weight, net** 45.1 kg | 99.428 lb

## Regulatory Compliance/Certifications

Agency	Classification
CHINA-ROHS	Below maximum concentration value

# WC-SC8D

---

ISO 9001:2015	Designed, manufactured and/or distributed under this quality management system
REACH-SVHC	Compliant as per SVHC revision on <a href="http://www.commscope.com/ProductCompliance">www.commscope.com/ProductCompliance</a>
ROHS	Compliant
UK-ROHS	Compliant



## \* Footnotes

**Wind Rating**                      BWS—Base Wind Speed; FBC—Florida Building Code