



FOOSC[®] Modular Splice Closure (MSC)

Ordering guide

Rev. 1.0

FOSC Modular Splice Closure (MSC)

Fiber Optic Splice Closure family

Adapting to the constantly-changing needs of your network

To keep pace with subscriber demands, network providers today need real deployment efficiencies. The new FOSC Modular Splice Closure (MSC) delivers versatility and efficiency by supporting many network applications with simplified planning and logistics and with ease of installation.

These closures are available in two sizes, each featuring:

- Re-usable compressed gel cable sealing components that accommodate a wide range of cable sizes
- Completely removable base, with easy access during installation and provisioning
- Toolless base install: simply turn and lock pin
- Underground, ground-level and aerial use
- High-performance sealing level IP68; 5-meter waterhead; 40 kPa
- Capability to accommodate a variety of cable styles, including loose tube or central core tube cables with single or ribbon fibers
- Hinging splicing trays that provide controlled access to splices and slack storage
- Splice and storage compartments accessible via a removable dome-clamp system
- Thermoplastic outer materials that withstand temperature and contamination
- Slack storage baskets of various sizes that provide different slack storage scenarios
- Many shared components between closure families and sizes
- A range of accessories for a variety of outside plant needs

FOSC Modular Splice Closures: adapting to the constantly-changing needs of your network



Superior gel seal

- Fully wraparound, 100 percent mechanical seal
- Eight interchangeable base segments
- Click and snap with no screws required
- Easy day two or repair cable installation
- Easy release of gel segments by the un-triggering of the handle



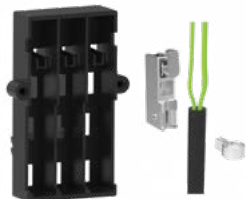
FOSC fiber management

- Wide-splice FOSC D and C trays
- Supporting a wide variety of applications: splicing, patching, splitter integration and more
- Featuring a variety of splice trays, capacities, options, single and ribbon fiber styles



High-performance closure

- FOSC400/450 closure materials (dome, clamp, O-ring)
- Tool-less base install: simple turn-and-lock pin
- Underground, ground level and aerial use
- IP68, 5 mWH, 40 kPa tightness
- Fully removable base for easy access during installation



Best-in-class cable fixation

- Universal termination for cables from 1-27 mm (0.04-1.06 inch)
- Full wraparound and remote cable preparation and cable termination unit (CTU) installation
- Integrated grounding feature for easy grounding wire attachment
- Possible to open gel segments with cable retention in place
- Only one hex wrench needed

FOSC Modular Splice Closure design & engineering reference guide

Closure Size	MSC C Size	MSC E Size
Style	Butt	Butt
Dimensions (L x D)—including trigger	24.5-in x Dia 11.5-in	32-in x Dia 11.5-in
Weight (approx.)	16 lbs.	20 lbs.
Gel Sealing	Segmented wraparound gel seals	Segmented wrap around gel seals
Mechanical Sealing Type	O-ring/clamp	O-ring/clamp
Cable Ports	Up to 56, Up to 1.06-in diameter	Up to 56, Up to 1.06-in diameter
Grounding & Flash Testing	Up to 8 Ground Feed-Through Lugs per base segment Valve for Flash Testing	Up to 8 Ground Feed-Through Lugs per base segment Valve for Flash Testing
Closure Tray Capacity	FOSC-C trays	FOSC-D trays
Single Fiber Splice Trays with Std. Basket	6	6
Ribbon Splice Trays with Std. Basket	3	3
Spliced Fiber Capacity per Tray		
Single Splice SM6 Modules	12	36
Single Splice SM12 Modules	24	72
Mass Fusion Ribbon Splices-Ribbon Tray	216	288/576*
Splices Fiber Capacity per Closure w/Std. Basket		
Single Splice SM6 Modules	72	216
Single Splice SM12 Modules	144	432
Mass Fusion Ribbon Splices-Ribbon Tray	648	864/1728**

*576 splices per tray can be achieved with MSC E-size by upgrading to the high-capacity 576-splice tray

**1728 splice capacity can be achieved with MSC E-size by upgrading to the high-capacity 576-splice tray

BUILDING BLOCK 1: FOSC Modular Splice Closure cable seals

Superior sealing performance

- Best available mechanical gel seal in the market
- 40 kPa and 5-meter waterhead compliant with prEN50411 type 1

Easy installation

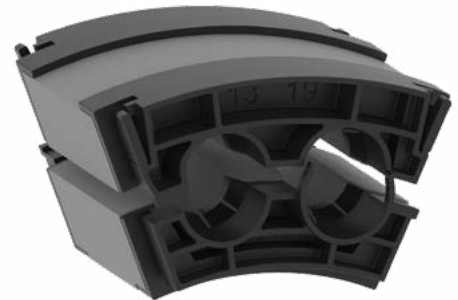
- Fully wraparound, 100% mechanical gel segments (Patented TENIO design)
- Easy to mount by click/snap function—no screws
- Easy day 2 or repair cable installation

Base segments

- 8 base segments for use with cable/tube seals or feedthrough grounding seal



Cable Outs	Diameter Range	Maximum Number of In/Outlet Cable Ports*
1	21-27 mm (0.83-1.06 inch)	7
2a	18-22 mm (0.71-0.87 inch)	14
2b	13-19 mm (0.51-0.75 inch)	14
3	6-14 mm (0.24-0.55 inch)	21
4	4-11 mm (0.16-0.43 inch)**	28
4F	4 x 8 mm +/- 0.5 mm (0.157 x 0.315 inch (+/-0.02 inch))	28
8	1-5 mm (0.04-0.2 inch)	56

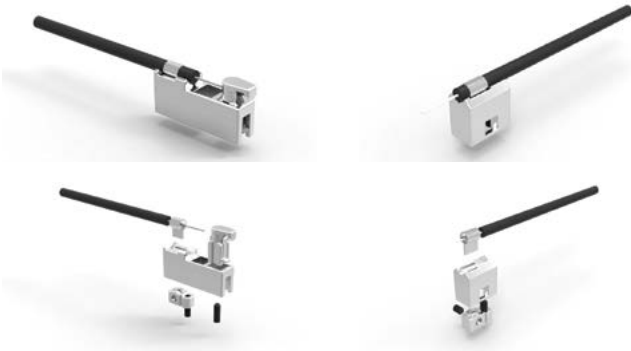


*Assuming 1 base segment is dedicated to grounding, 7 base segments are used for cable/tube seals.

** 0.16-0.27 inch in case of fixation with 4 small cable termination units (CTUs); 0.16-0.43 inch in combination with the cable termination bracket.

BUILDING BLOCK 2: FOSC Modular Splice Closure cable terminations

2A: Cable Termination Units (CTUs)



Superior performance

- Best universal cable termination in the market—proven performance in TENIO family
- Stronger than tie wraps, safer than hose clamps (no cable damage)

Easy installation

- Fully wraparound and remote cable preparation and CTU installation
- Only one hex wrench needed
- Possibility to open gel segment while cable retention remains in place
- Flexible adapters to fit application and support

Cable construction independent

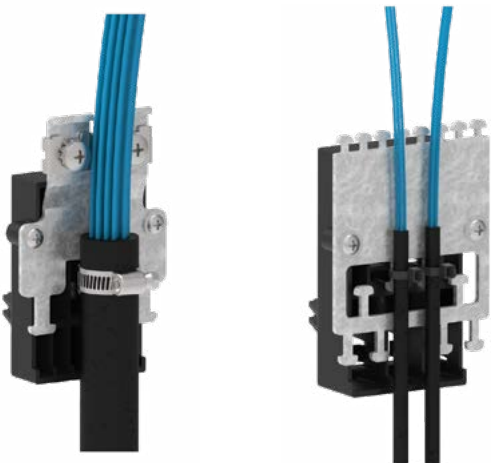
- Diameter range from 1-27 mm (0.04-1.06 inch)
- Central/dual strength member and aramid yarn termination

Option for cable attachment—with integrated grounding

- Extra-large CTU (CTU-G) to cover larger cable sizes
- Integrated grounding feature for easy grounding wire attachment



2B: Cable Termination Brackets



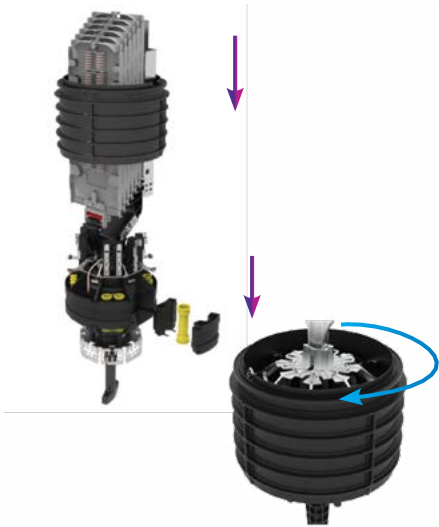
Industry-adopted techniques

- According to standard installation practices in the field
- Solid performance

Flexible

- Possibility to open gel segment while cable retention remains in place
- Compatible with standard available components (hose clamps; tie wraps)
- Flexible adapters to fit application and support modular approach

BUILDING BLOCK 3: Dome & base enclosure



FOSC commonality

- Compatible with existing round dome sizes and clamp
- Proven materials, used in FOSC400 and FOSC450 series

State-of-the art design for fast re-entry

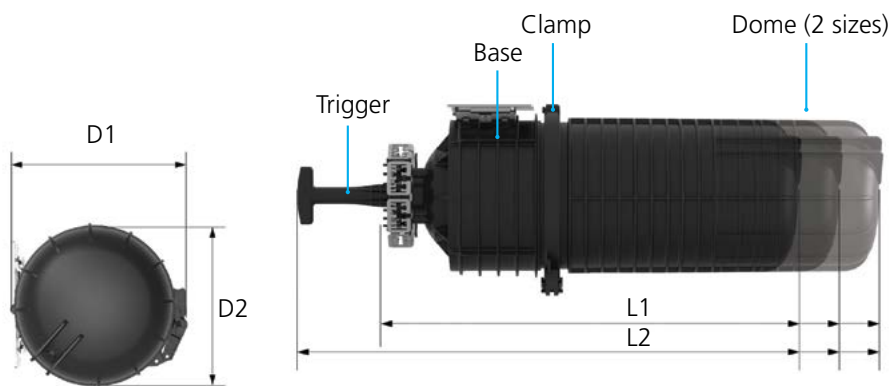
- Base/body completely removable from inner work, allowing full round access during installation and provisioning
- Easy tool-less base install by turn and locking pin

Superior quality

- Suited for underground/submerged, ground-level and aerial use

Microtube optimized

- Overlapping base to shield off unprotected cables coming out of tubes
- Remote fixation of microtubes by use of modular adapters and tube clamps
- External fixation bracket for optimal strain relief
- Option for standard water blocking devices in the closure (not preferred)



Dome Size	C		E	
	(mm)	(inches)	(mm)	(inches)
L2 (total length)	772	30.4	960	37.8
L1 (length excl. trigger)	622	24.49	810	31.89
D1 (diameter with clamp)	291	11.46	291	11.46
D2 (diameter without clamp)	256	10.08	256	10.08

BUILDING BLOCK 4: FOSC fiber management & capacities

Splice trays—The FOSC Modular Splice Closures (MSCs) are compatible with a wide variety of FOSC D and C size trays and tray accessories, including those for storing **single and/or ribbon (mass)** fusion splices, ribbon splices with ribbon slack on the same tray, and patching trays.



ORDERING INFORMATION

To configure a complete FOSC Modular Splice Closure (MSC), the following items must be specified and ordered as indicated:

1. Closure

The FOSC Modular Splice Closures are shipped empty (see kit content on next page).

2. Gel seals

Total number of gel seals per closure MUST equal 7 (assuming the 8th base segment position is foreseen for the grounding feedthrough)

3. Cable termination units

Order one cable termination unit (CTU) for each cable. Looped cables require two cable termination units
Alternatively, an internal cable termination bracket can be ordered per base segment position

4. Trays

The FOSC Modular Splice Closures are compatible with all existing FOSC C and D trays (splice, patch, splitter, etc.)

OPTIONAL/ADDITIONAL ORDERING INFORMATION

Extra accessories

- Wall/pole; aerial mounting brackets
- Extra external cable fixation bracket
- Grounding kits (common or isolated)
- Microtube accessories
- Slack storage baskets
- Passive optical components
- Generic FOSC450 workstation tools

Note: The closure is typically supplied with the standard size slack storage basket already included. Tall version baskets (for storing additional slack) are also available.

Note: A wide range of splitters and CWDM's are available, whether on FOSC trays or field installable.

ORDERING INFORMATION

1: Closure

NOTE: Empty closures can be ordered with MOQ of 1 piece.

Quantity per box: 1 piece; Quantity per pallet: 6 pieces.

KIT CONTENT:

- Dome
- Clamp
- O-ring
- Base
- Standard size slack basket (available configuration)
- Base assembly block with compression trigger
- Tray tower to hold hinging FOSSC splice trays
- Tower grounding plate for wire attachments
- Feedthrough grounding segment
- Installation instruction (or QR code reference)



Dome

The dome is made from a polymer, with ribbing added for extra strength. The FOSSC MSCs are offered in two different sizes.



Base

The removable base protects the cable sealing system and connects to the dome with the clamping system.



Dome-to-base seal

Domes are attached to the base by means of a clamp. Dome-to-base sealing is accomplished via a compressed O-ring.

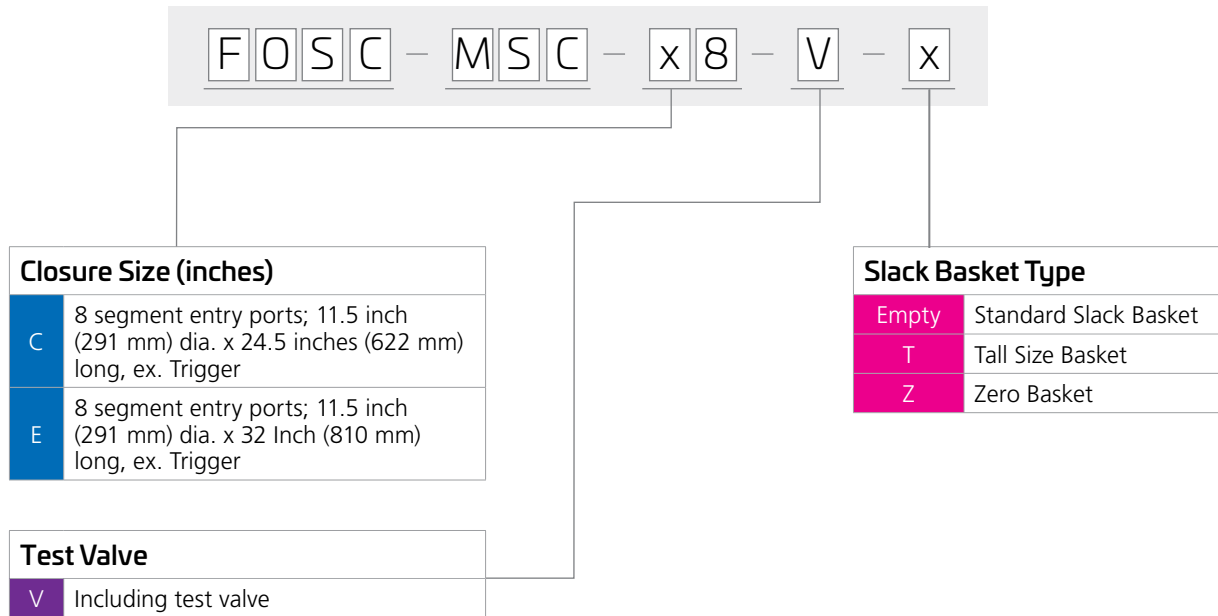


Feedthrough grounding segment

A dummy segment with a feedthrough bolt to connect to external grounding wires.

ORDERING INFORMATION

1: Closure



Available configurations

Product Description	Slack Basket Type	Trays	Grounding Feedthrough	Ordering Reference
FOSC Modular Splice closure with test valve, C-size	C6 Standard Size basket included	Compatible with FOSC C-trays (not included)	1 feedthrough segment with attachment bolt included	FOSC-MSC-C8-V
FOSC Modular Splice Closure with test valve, E-size	D6 Standard Size basket included	Compatible with FOSC D-trays (not included)	1 feedthrough segment with attachment bolt included	FOSC-MSC-E8-V

2: CABLE SEALS

NOTE: As 1 base-segment is dedicated for grounding purpose, the total number of cable segments to be ordered must equal 7 per closure.

NOTE: Cable segments/dummy segments to be ordered in multiples of 5/10 pcs.



KIT CONTENT:

- Adapter
- Gel Segments (Inner & Outer Part)
- Dummy Rods

Number of outlets	Diameter Range per outlet	Suitable for Standard cables	Suitable for Micro-tubes	Suitable for Cables with Metal Shielding	Ordering Reference
1	21-27 mm (0.83-1.06 inch)	√		√	MSC-SKG1-21/27
2	18-22 mm (0.71-0.87 inch)	√		√	MSC-SKG2-18/22
2	13-19 mm (0.51-0.75 inch)	√		√	MSC-SKG2-13/19
3	6-14 mm (0.24-0.55 inch)	√	√		MSC-SKG3-6/14
3	6-14 mm (0.24-0.55 inch)	√	√	√	MSC-SKG3-6/14-GRND
4	4-11 mm * (0.16-0.43 inch)	√	√		MSC-SKG4-4/7-11
4 Flat	4x8 mm +/-0.5 (0.157 x 0.315 inch (+/-0.02 inch)	√			MSC-SKG4-4x8
8	1-5 mm (0.04-0.2 inch)	√			MSC-SKG8-1/5
N/A	dummy				MSC-SKG-DUMMY

* 0.16-0.27 inch in case of fixation with 4 small cable termination units (CTU); 0.16-0.43 inch in combination with the cable termination bracket.

3. CABLE TERMINATION KITS

A: Cable termination units (CTUs)

NOTE: 1 CTU per cable. Looped cables require 2 CTUs.

NOTE: CTUs to be ordered in multiples of 20 pieces (CTU-S) / 10 pieces (CTU-L & G).

KIT CONTENT:

- Allen Key
- Metal Band(s)
- Cable Termination Unit with/without Grounding Wire



Unit Size	Grounding Wire	Max Cable Size	Ordering Reference
Small	No	Up to 7 mm (0.276 inch)	CTU-S
Large	No	Up to 16 mm (0.63 inch)	CTU-L
Giant	No	Up to 27 mm (1.06 inch)	CTU-G
Giant	Yes	Up to 27 mm (1.06 inch)	CTU-G-GRND*



*CTU-G termination unit with extra grounding wire attached

Cable Termination Unit Compatible with Seals	CTU-S	CTU-L	CTU-G	CTU-G-GRND*
MSC-SKG8-1/5	√			
MSC-SKG4-4/7-11	√			
MSC-SKG4-4x8 (flat cable seal)	√			
MSC-SKG3-6/14		√		
MSC-SKG3-6/14-GRND			√	√
MSC-SKG2-13/19			√	√
MSC-SKG2-18/22			√	√
MSC-SKG1-21/27			√	√

*CTU-G termination unit with extra grounding wire attached

3. CABLE TERMINATION KITS

B: Cable termination brackets

NOTE: By use of the cable brackets, common practice cable fixation devices can be used.
Use 1 cable fixation plate per segment.

NOTE: Cable termination brackets to be ordered in multiples of 10 pieces.

KIT CONTENT:

- Adapter Plate
- Fixation Material



(1) Fixation material:
8 pieces tie wraps included in the kit



(2) Fixation material:
3 pieces of hose clamps 6-16 mm (0.24-0.63 in.);
2 pieces hose clamps 11-25 mm (0.43-0.98 in.)
and 2 dual strength member devices included in the kit

Maximum Amount of Cables	Fixation Material	Ordering Reference
Up to 8 cables	Tie-wraps	CTU-BRKT-1 (1)
Up to 3 cables	Hose clamps and dual-strength member fix devices (FACC-DSCT)	CTU-BRKT-2 (2)

Termination Brackets	CTU-BRKT-1	CTU-BRKT-2
Compatible with Seal Kits		
MSC-SKG8-1/5	√	
MSC-SKG4-4/7-11	√	
MSC-SKG4-4x8 (Flat cable seal)		
MSC-SKG3-6/14		√
MSC-SKG3-6/14-GRND		√
MSC-SKG2-13/19		√
MSC-SKG2-18/22		√
MSC-SKG1-21/27		

4. TRAYS—Splice/Patch/Splitter/Ribbon

The FOSC Modular Splice Closures are compatible with all existing FOSC C and D trays (splice, patch, optical passives, etc.) supporting both single fibers and ribbon fibers in a variety of capacities and styles.

	Tray Capacity	Includes Protection Sleeve	Kits include instructions, tie-wraps, tray and clear cover with:	Kits/Pkg.	Part Number	Ordering Reference
C	12	No	2 SM-6 splice modules	2	RH0198-000	FOSC-ACC-TRAY-12
C	12	Yes	2 SM-6 splice modules, 12 60 mm SMOUV splice protection sleeves	2	X35373-000	FOSC-ACC-C-TRAY-12-SMV60
C	24*	No	2 SM-12 splice modules	2	RH0202-000	FOSC-ACC-C-TRAY-24
C	24	Yes	2 SM-12 splice modules, 25 60 mm SMOUV splice protection sleeves	2	C4388W-000	FOSC-ACC-C-TRAY-SMV60
C	36	Yes	3 FIST style modules, 36 60 mm SMOUV splice protection sleeves	2	EM5842-000	FOSC-ACC-C-TRAY-36-S60
D	00	No	Tray and clear cover, no splice modules	2	122131-000	FOSC-ACC-D-TRAY-00
D	36	No	6 SM-6 splice modules	2	426579-000	FOSC-ACC-D-TRAY-36
D	36	Yes	6 SM-12 splice modules, 40 60 mm SMOUV splice protection sleeves	2	DK696L-000	FOSC-ACC-D-TRAY-36-SMV60
D	48	No	6 SM-8 splice modules	2	579575-000	FOSC-ACC-D-TRAY-48
D	72*	No	6 SM-12 splice modules	2	915167-000	FOSC-ACC-D-TRAY-72
D	72	Yes	6 SM-12 splice modules, 75 60 mm SMOUV splice protection sleeves	2	JL0937-000	FOSC-ACC-D-TRAY-72-SMV60
D	96	Yes	8 FIST style modules, 100 60 mm SMOUV splice protection sleeves	2	F10669-000	FOSC-ACC-D-TRAY-96-S60
Ribbon Fiber Trays						
C	216 Mass Fusion (12 fiber ribbon x 18 splices)		C Size Ribbon Tray with clear cover, 3 SM-6 splice modules, tie-wraps and instructions	1	398955-000	FOSC-ACC-TRAY-RIBN-18
D	288 Mass Fusion (12 fiber ribbon x 24 splices)		D Size Ribbon Tray with clear cover, 4 SM-6 splice modules, tie-wraps and instructions	1	061064-000	FOSC-ACC-D-TRAY-RIBN-24
D	576 Mass Fusion (12 fiber ribbon x 48 splices)		D Size Ribbon Tray with clear cover, 8 SM-6 splice modules, tie-wraps and instructions	1	760241681	FOSC-ACC-D-TRAY-RIBN-48
Patch Trays						
D	16 fiber patch tray		D-size Patch Tray with adapter retainer Holds up to 16 SC style adapters	1	C03247-000	FOSC-ACC-D-TRAY-P-16-0
D	12 fiber patch tray		D-size Patch Tray, adapter retainer, no adapters installed	1	P5387P-000	FOSC-ACC-D-TRAY-P-12-0
D	12 fiber patch tray		D-size Patch Tray with adapter retainer, and 12 SC/APC style adapters	2	C91240-000	FOSC-ACC-D-TRAY-P-SC/APC
D	12 fiber patch tray		D-size Patch Tray with adapter retainer, and 12 SC/UPC style adapters	2	E90832-000	FOSC-ACC-D-TRAY-P-SC/UPC
Splice Trays Covers						
C			1 clear C-size tray cover	25	YD926E-000	FOSC-ACC-C-TRAY-COVER
D			1 clear D-size tray cover	25	ZP0533-000	FOSC-ACC-D-TRAY-COVER
Splice Modules (for replacing or adding modules to trays)						
All			6-splice capacity snap-in module	48	581981-000	FOSC-ACC-SM6-MODULES
All			8-splice capacity snap-in module	48	332341-000	FOSC-ACC-SM8-MODULES
All			12-splice capacity snap-in module	48	275897-000	FOSC-ACC-SM12-MODULES**
All			12-splice capacity (high density) snap-in module	100	B86578-000	FOSC-ACC-SPLICEHIDR12-SMV

*CommScope's SMOUV splice sleeves highly recommended for use with three trays.

** CommScope's SMOUV splice sleeves are highly recommended for use with these trays/modules.

For passive optical device trays (splitters; WDM): please refer to the FOSC450 ordering guide

OPTIONAL ACCESSORIES

SMOUV Splice Protection Sleeves

Fiber Type	Sleeve Information	Kits/Pkg.	Part Number	Description
Single Fiber	Heat shrinkable, 61 mm, single fiber splice protection sleeve	1000	369305-000	SMOUV-1120-01
Single Fiber	Heat shrinkable, 45 mm, single fiber splice protection sleeve	1000	103897-000	SMOUV-1120-02
Ribbon Fiber	Heat shrinkable, 42 mm, 12 fiber ribbon splice protection sleeve	1000	757849-000	SMOUV-1120-R2/12



Fiber Management and Routing Accessories (Single and Ribbon Fiber)

Closure Size	Tubing Style	Kit Includes	Std. Pack	Part Number	Description
All	Transportation	Six 16 inch pieces	240	526767-000	FOSC-ACC-TTUBE-SMLL-16IN
		One 50 foot piece	10	829333-000	FOSC-ACC-TTUBE-SMLL-50FT
		Six 16 inch pieces	240	118317-000	FOSC-ACC-TTUBE-LRGE-16IN
		One 50 foot piece	10	646311-000	FOSC-ACC-TTUBE-LRGE-50FT
		Six 16 inch pieces	240	577809-000	FOSC-ACC-TTUBE-RBN12-16I
		One 50 foot piece	10	226809-000	FOSC-ACC-TTUBE-RBN12-50
		Six 16 inch pieces	240	F2103R-000	FOSC-ACC-TTUBE-RBN-16I
		One 50 foot piece	10	57581K-000	FOSC-ACC-TTUBE-RBN24-50I
	Buffer Tube Wrap	One wrap	100	RH0073-000	FOSC-ACC-LBTWRAP-100
	Spiral	One 500 foot roll	1	234855-000	FOSC-ACC-SPRLTUBE-1/8
		Two 100 foot rolls	1	469031-000	FOSC-ACC-SPRLTUBE-3/16
		One 25 foot section	1	RH0090-000	FOSC-ACC-SPRLTUBE-3/16-25
		One 50 foot section	1	460490-000	FOSC-ACC-SPRLTUBE-3/8-50



118317-000



829333-000

Slack Basket Accessories

Various styles are available for regular or increased slack storage, including adding baskets to existing closure kits that are without baskets.

Basket Style	Closure Sizes	Kits/Pkg.	Part Number	Description
Standard	C	1	RH0199-000	FOSC-ACC-C-BASKET
	D	1	089279-000	FOSC-ACC-D-BASKET
Tall	C	1	RH0200-000	FOSC-ACC-C-BASKET-TALL
	D	1	056395-000	FOSC-ACC-D-BASKET-TALL



089279-000

Note: Tall style slack storage baskets provide increased slack storage over standard baskets, but may reduce the closure's splice tray capacity.

OPTIONAL ACCESSORIES

Mounting Brackets

NOTE: Minimum order quantity of 1 piece.

Product description & Kit content	Ordering Reference
Wall/pole mount including: *Metal plate for wall/pole mount *Slide-on plate for closure fixation *Hose clamps for closure fixation	MSC-MOBRA
External cable/tube fixation bracket including: *Fixation screws to mount bracket to closure *8 pieces tie wraps *2 pieces hose clamps 11-25 mm (0.43-0.98 inch)	MSC-EXT/CF



For other closure Mounting hardware accessories or workstand options, please refer to the [FOSC450-C/D ordering guide](#)

Tube Kits

NOTE: Tube kits to be ordered in multiples of 10 pieces.

NOTE: Every tube kit contains the suitable adapter to fix on the external cable bracket and the crimp ring to fix on the tube.

Product description & Kit content	Ordering Reference
Set of 4 crimp rings for 7 mm (0.28 in.) tubes, incl. four-out adapter (tube not included)	MSC-CR7
Set of 4 crimp rings for 10 mm (0.39 in.) tubes, incl. four-out adapter (tube not included)	MSC-CR10
Set of 3 crimp rings for 12 mm (0.47 in.) tubes, incl. three-out adapter (tube not included)	MSC-CR12



OPTIONAL ACCESSORIES: Grounding

A: Non-isolated common grounding—feedthrough segment

NOTE: Every closure comes with 1pc of feedthrough grounding segment in the packaging.

NOTE: The feedthrough grounding segment can be combined with the GIANT-grounding cable termination units (CTU-G-GRND) to offer the possibility to ground shielding and additional metal strength members of cables.

NOTE: Extra feedthrough grounding segments can be ordered in multiples of 5pcs.



Product description & Kit content	Ordering Reference
Feedthrough grounding kit including dummy segment, feedthrough bolt pre-mounted with grounding wire	MSC-SKG-FDTHR-FOSC

Coming Soon: B: Isolated grounding—individual lugs

NOTE: The combination of solid copper grounding wires with flexible stranded wires for easy handling inside the closure.

NOTE: The individual grounding lugs can be used in combination with the standard wraparound cable segments suitable for the size of the chosen lug.



Product description & Kit content	Ordering Reference
ASSY of solid copper #10 + UL AWM style stranded wire Length 600 mm (23.6 inch) for easy access in closure Suitable for UL AWM/STYLE 11028 105°C / 600 VRMS Color black, diameter 5 mm (0.2 inch)	MSC-GRD-ASSY-AWG10*
ASSY of solid copper #6 + UL AWM style stranded wire Length 600 mm (23.6 inch) for easy access in closure In accordance with Telcordia 1000Amp spec Color black, diameter 9 mm (0.35 inch)	MSC-GRD-ASSY-AWG6 *
RUS Style B bonds – 100pcs/pkg	FOSC-ACC-RUS-B-BONDS 92733M-000

*Under development



QUICK GUIDE CONFIGURATOR

NOTE: Below tables give combination examples of sealing and attaching individual grounding wires.

	Ordering Reference		#
Gel segment for grounding lugs	MSC-SKG8-1/5		1
Attachments for grounding lugs	CTU-S		Up to 8
Grounding lugs	MSC-GRD-ASSY-AWG10		Up to 8



	Ordering Reference		#
Gel segment for grounding lugs	MSC-SKG4-4/7-11		1
Attachments for grounding lugs	CTU-S		Up to 4
Grounding lugs	MSC-GRD-ASSY-AWG6		Up to 4



QUICK GUIDE CONFIGURATOR

NOTE: Below tables give a combination overview of sealing and attaching cables or tubes.

	Product Description		No Grounding		Common Grounding (assuming use of the feedthrough segment)		Individual Grounding (assuming use of individual grounding lugs)	
	Number of outlets	Diameter range per outlet	Cable seal kits	Cable terminations	Cable seal kits	Cable terminations	Cable seal kits	Cable terminations
Cables	1	21-27 mm (0.83-1.06 inch)	MSC-SKG1-21/27	CTU-G	MSC-SKG1-21/27	CTU-G-GRND	MSC-SKG1-21/27	CTU-G
	2	18-22 mm (0.71-0.87 inch)	MSC-SKG2-18/22	CTU-G CTU-BRKT-2	MSC-SKG2-18/22	CTU-G-GRND	MSC-SKG2-18/22	CTU-G
	2	13-19 mm (0.51-0.75 inch)	MSC-SKG2-13/19	CTU-G CTU-BRKT-2	MSC-SKG2-13/19	CTU-G-GRND	MSC-SKG2-13/19	CTU-G
	3	6-14 mm (0.24-0.55 inch)	MSC-SKG3-6/14	CTU-L CTU-BRKT-2	MSC-SKG3-6/14-GRND	CTU-G-GRND	MSC-SKG3-6/14-GRND	CTU-G
	4	4-11 mm * (0.16-0.43 inch)	MSC-SKG4-4/7-11	CTU-S CTU-BRKT-1				
	4 Flat	4x8 mm +/-0.5 (0.157 x 0.315 inch (+/-0.02 inch)	MSC-SKG4-4x8	CTU-S				
	8	1-5 mm (0.04-0.2 inch)	MSC-SKG8-1/5	CTU-S CTU-BRKT-1				
	N/A	dummy	MSC-SKG-DUMMY					

* 0.16-0.27 inch in case of fixation with 4 small cable termination units (CTU); 0.16-0.43 inch in combination with the cable termination bracket.

	Product Description		No Grounding		
	Number of outlets	Diameter range per outlet	Cable seal kits	Cable terminations	Tube kits
Micro Tubes	4	4-11 mm (0.16-0.43 inch)	MSC-SKG4-4/7-11	CTU-S	MSC-CR7
				CTU-BRKT-1	MSC-CR7
					MSC-CR10
	3	6-14 mm (0.24-0.55 inch)	MSC-SKG3-6/14	CTU-L	MSC-CR7
CTU-BRKT-2				MSC-CR10 MSC-CR12	

Seal Segment							Cable Attachments			
Segment	Dummy Rods	Adapter	# of Cables	Min ø	Max ø	Notes	Termination Units			Termination Brackets
							CTU-		CTU-	CTU-BRKT-
8x1-5 		8-out 	8	1 mm (0.04 in.)	5 mm (0.2 in.)	MSC-SKG8-1/5				OR  CTU-BRKT-1 Tie wrap—only aramid fixation
Flat 4x8 		8-out 	4	3.5 x 7.5 mm (0.157 x 0.315 in.)	4.5 x 8.5 mm (0.18 x 0.34 in.)	MSC-SKG4-4x8				N/A
4x4-7/11 		8-out 	4	4 mm (0.16 in.)	7/11 mm (0.43 in.)	MSC-SKG4-4-7/11 Max 7 mm with CTU-S (no strength member) Max 11 mm with brackets				OR  CTU-BRKT-1 Tie wrap—only aramid fixation
3x6-14 		3-out Large 	3	6 mm (0.24 in.)	14 mm (0.55 in.)	MSC-SKG3-6/14				OR  CTU-BRKT-2 Hose clamps—straight member fixation
3x6-14 		3-out Giant 	3	6 mm (0.24 in.)	14 mm (0.55 in.)	MSC-SKG3-6/14-GRND Kit to be used when grounding of cables is needed		OR 	OR	 CTU-BRKT-2 Hose clamps—straight member fixation
2x13-19 		3-out Giant 	2	13 mm (0.51 in.)	19 mm (0.75 in.)	MSC-SKG2-13/19		OR 	OR	 CTU-BRKT-2 Hose clamps—straight member fixation
2x18-22 		3-out Giant 	2	18 mm (0.71 in.)	22 mm (0.87 in.)	MSC-SKG2-18/22		OR 	OR	 CTU-BRKT-2 Hose clamps—straight member fixation
1x21-27 		1-out Giant 	1	21 mm (0.83 in.)	27 mm (1.06 in.)	MSC-SKG1-21/27		OR 		NA
DUMMY 	NA	NA	NA	NA	NA	MSC-SKG-DUMMY	NA	NA		NA
DUMMY GRND 	NA	NA	NA	NA	NA	MSC-SKG-FDTHR-FOSC	NA	NA		NA

CommScope pushes the boundaries of communications technology with game-changing ideas and ground-breaking discoveries that spark profound human achievement.

We collaborate with our customers and partners to design, create and build the world's most advanced networks. It is our passion and commitment to identify the next opportunity and realize a better tomorrow. Discover more at commscope.com.

COMMSCOPE®

commscope.com

Visit our website or contact your local CommScope representative for more information.

© 2023 CommScope, Inc. All rights reserved.

All trademarks identified by ™ or © are trademarks or registered trademarks in the US and may be registered in other countries. All product names, trademarks and registered trademarks are property of their respective owners. This document is for planning purposes only and is not intended to modify or supplement any specifications or warranties relating to CommScope products or services.

CO-116094.1-EN (03/23)