



SYSTIMAX 360™ Rear Cable Management Kit Instructions

General

The **SYSTIMAX 360™** rear cable management kit is available in two panel mounted configurations and one rack mounted configuration. One cable management kit is designed for use on all non-**Evolve 360** panels and the other kit is for use on **360 Evolve** panels only. The rack mounted cable management kit is used on **360 non-Evolve** panels only.

Ordering information is listed below:

Material ID	Part No.	Description
760104398	360-RCM-BM	Rear cable management kit for non- Evolve 360 panels
760157628	360-E-RCM-BM	Rear cable management kit for 360 Evolve panels
760104737	360-RCM-RM	Rack mounted cable management kit for 360 non-Evolve panels

How to Contact Us

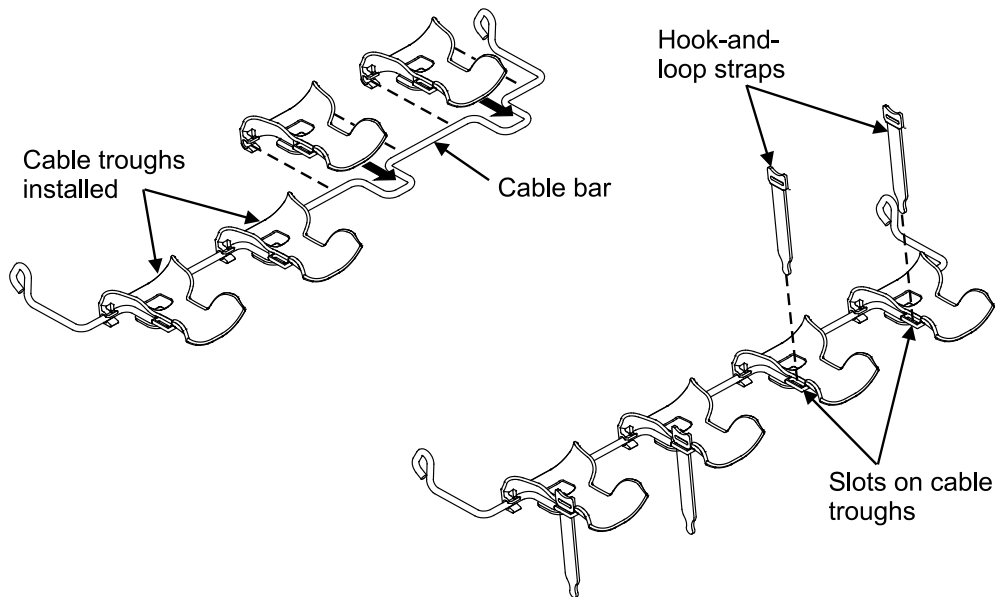
- To find out more about **CommScope®** products, visit us on the web at <http://www.commscope.com/>
- For technical assistance:
 - Within the United States, contact your local account representative or technical support at 1-800-344-0223. Outside the United States, contact your local account representative or Authorized Business Partner.
 - Within the United States, report any missing/damaged parts or any other issues to **CommScope** Customer Claims at 1-866-539-2795. Outside the United States, contact your local account representative or Authorized Business Partner.

Parts List

Verify parts against the parts list below:

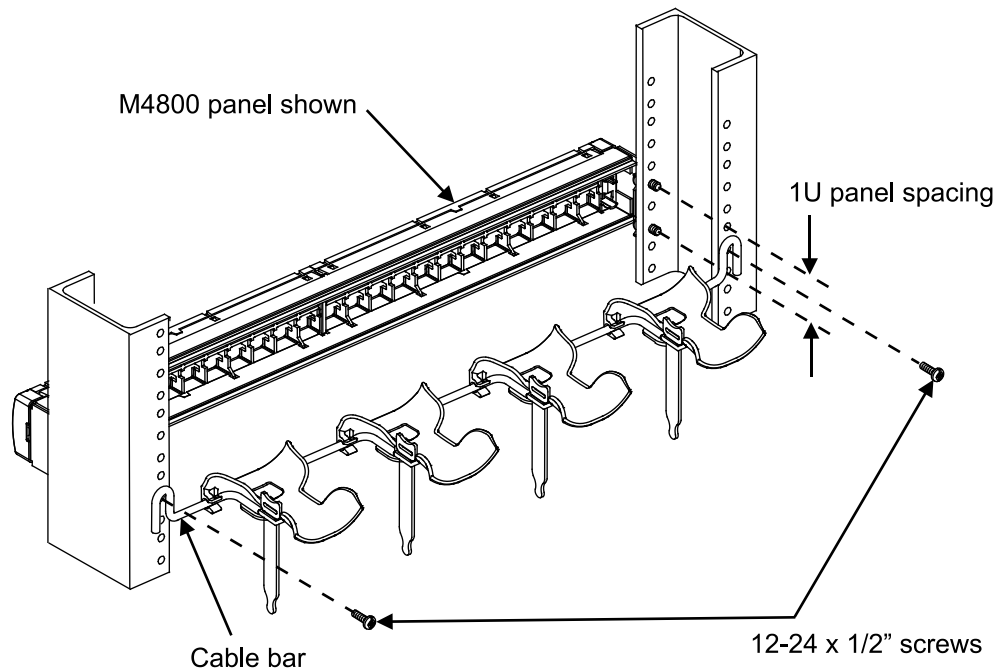
Quantity	Description
1	Cable management bar
4	Cable troughs
4	Hook-and-loop straps
2	12-24 x ½ screws (provided with rack mount version only)
1	Instruction sheet

Step 1 — Assemble Cable Troughs



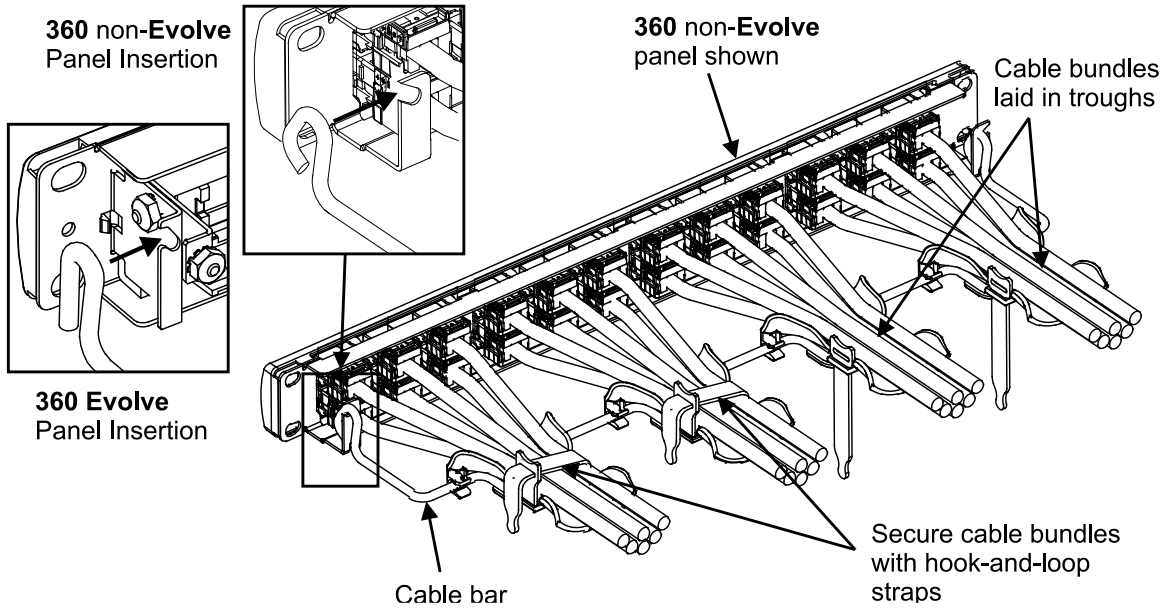
1. Attach the four cable troughs onto bar as shown and insert four hook-and-loop straps into slots in cable troughs.

Step 2 — Install Panel and Cable Bar on Equipment Rack (Rack Mount)



1. Attach panel to rack using screws provided with panel.
2. Attach cable management bar to rear of equipment rack using the two provided 12-24 x 1/2" screws as shown. Bar should be level with lower row of outlets on panel.

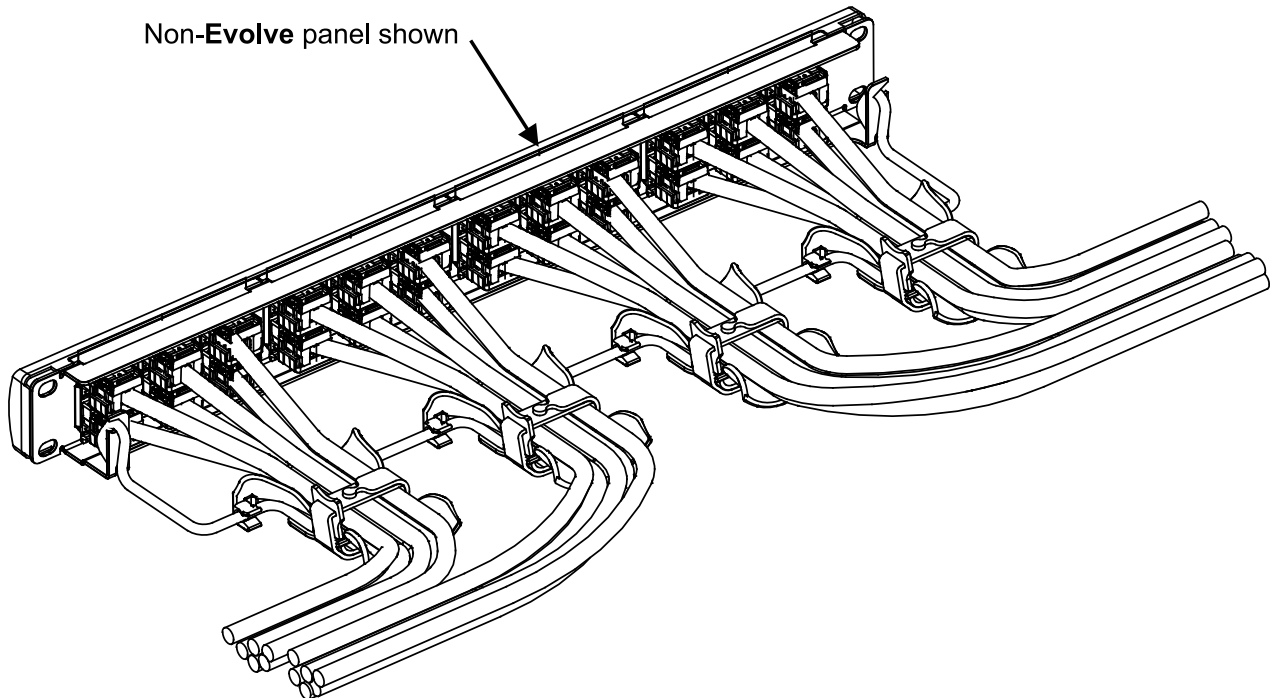
Step 3 – Install Cable Bar on Rear of Panel and Secure Cables (Panel Mount)



1. Attach cable bar to rear of panel. Equipment rack not shown for clarity.

Note: Depending on the type of panel the bar is being used on (**Evolve** panel or **non-Evolve** panel), the cable bar ends have a different configuration. Both types of cable bar ends attach the same and are shown in figure on previous page.

2. Lay cables evenly in cable troughs and secure using hook-and-loop straps as shown on previous page.



3. The figure above illustrates a typical completed installation.