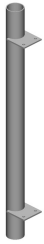


MT-395



Standard Pipe Mount, 4-1/2 in OD x 63 in

Product Classification

Product Type Pipe mount

General Specifications

Mounting Saddle mounts

Note One 4 ft microwave antenna per sector, with antenna stiff arm

Pipe, quantity 1

Tower Taper Non-tapered

Dimensions

Height 177.8 mm | 7 in

Width 127 mm | 5 in

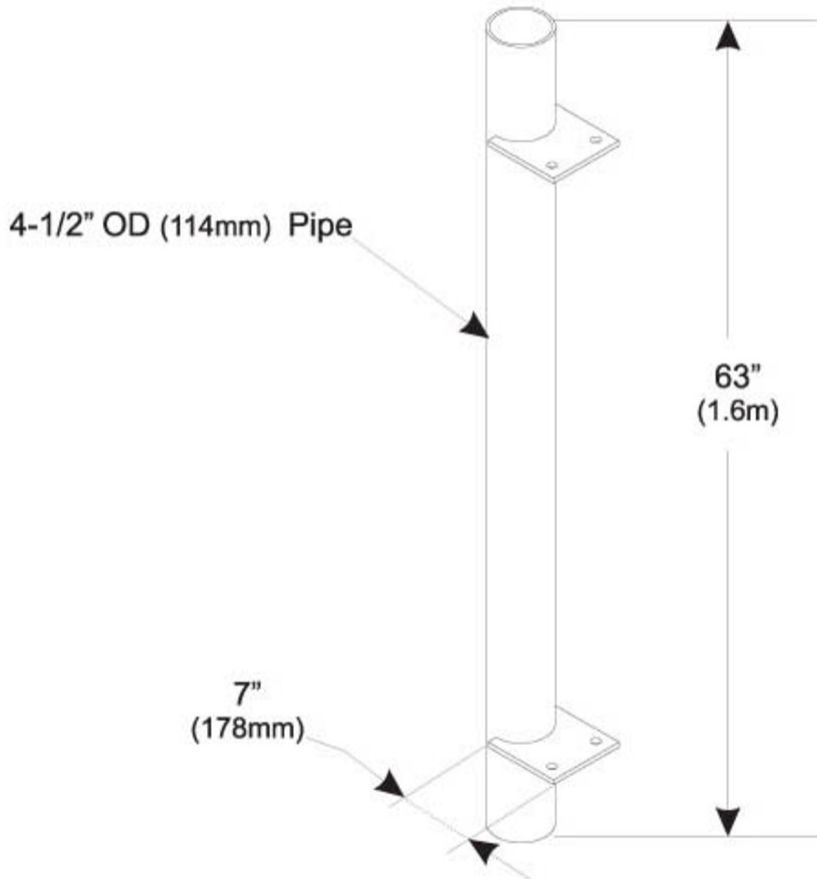
Length 1,600.2 mm | 63 in

Pipe Length 1,600.2 mm | 63 in

Pipe Outer Diameter 114.3 mm | 4.5 in

MT-395

Outline Drawing



Material Specifications

Material Type Hot dip galvanized steel

Mechanical Specifications

Wind Rating 90 mph (BWS) at 150 ft AGL

Wind Rating Test Method TIA/EIA-222

Packaging and Weights

Included Pipe mounts

Packaging quantity 1

MT-395

Weight, net 29.3 kg | 64.595 lb

Regulatory Compliance/Certifications

| Agency | Classification |
|---------------|--|
| ISO 9001:2015 | Designed, manufactured and/or distributed under this quality management system |

* Footnotes

Wind Rating BWS—Base Wind Speed; FBC—Florida Building Code