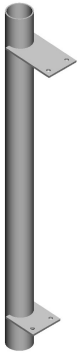


# MT-397

---



Tapered Pipe Mount, 4-1/2 in OD x 63 in

## Product Classification

**Product Type** Pipe mount

## General Specifications

**Mounting** Saddle mounts

**Note** One 4 ft microwave antenna per sector, with antenna stiff arm

**Pipe, quantity** 1

**Tower Taper** Tapered

## Dimensions

**Height** 228.6 mm | 9 in

**Width** 127 mm | 5 in

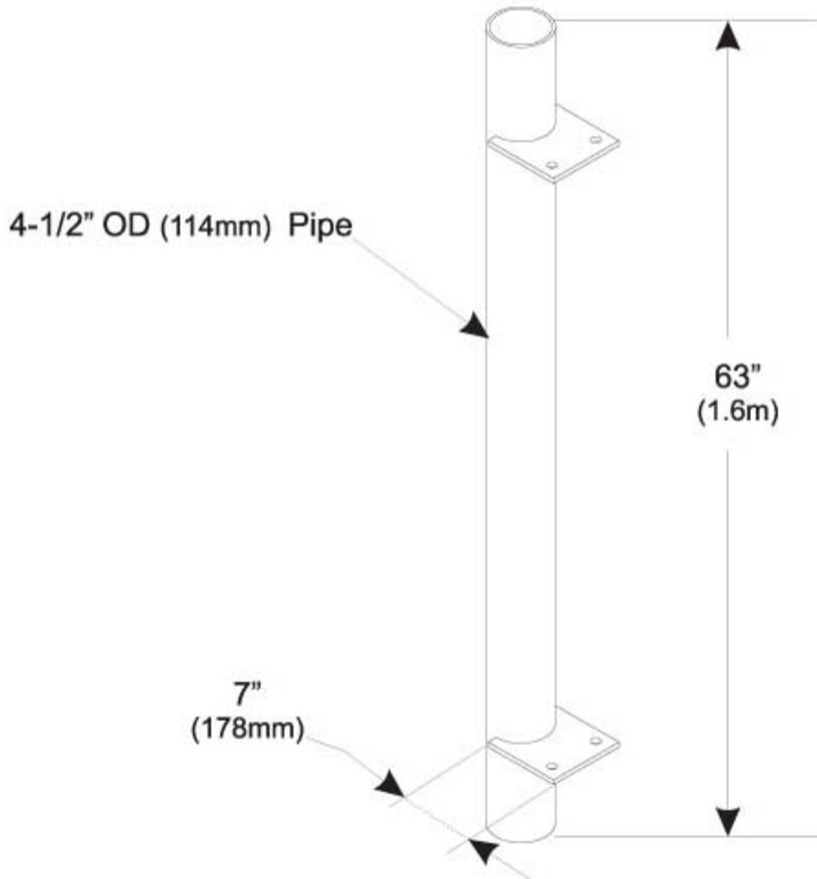
**Length** 1,600.2 mm | 63 in

**Pipe Length** 1,600.2 mm | 63 in

**Pipe Outer Diameter** 114.3 mm | 4.5 in

# MT-397

## Outline Drawing



## Material Specifications

**Material Type** Hot dip galvanized steel

## Mechanical Specifications

**Wind Rating** 90 mph (BWS) at 150 ft AGL

**Wind Rating Test Method** TIA/EIA-222

## Packaging and Weights

**Included** Pipe mounts

**Packaging quantity** 1

# MT-397

---

**Weight, net** 30 kg | 66.139 lb

## Regulatory Compliance/Certifications

<b>Agency</b>	<b>Classification</b>
ISO 9001:2015	Designed, manufactured and/or distributed under this quality management system

## \* Footnotes

**Wind Rating** BWS—Base Wind Speed; FBC—Florida Building Code