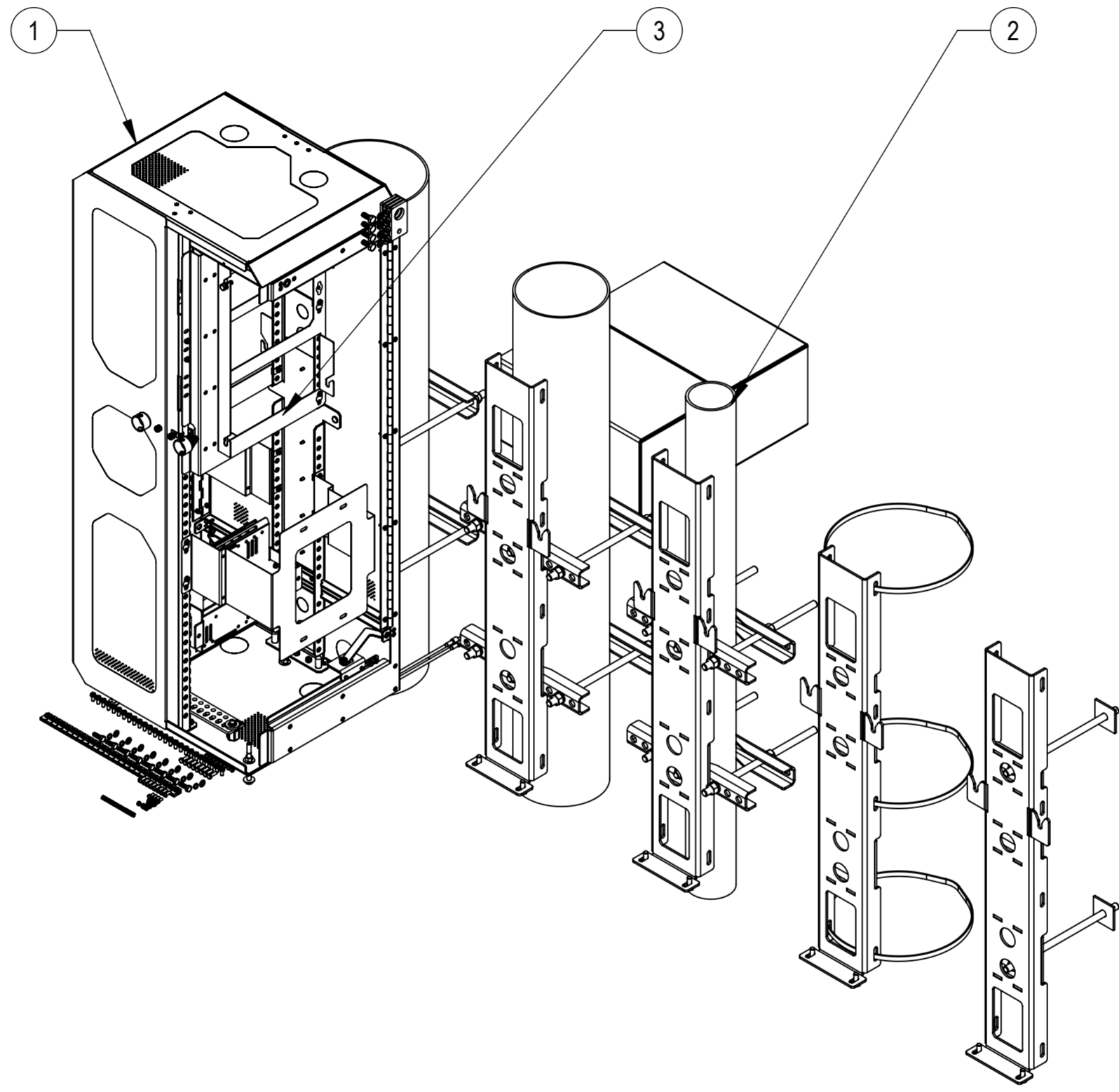


- 1.0 GENERAL NOTES
 1.1 ALL IMPERIAL DIMENSIONS ARE IN BRACKETS [X.XX]
 1.2 FEATURES CRITICAL TO QUALITY ARE INDICATED IN ROUNDED BOX (X.X)
 2.0 DESIGN NOTES
 3.0 MANUFACTURING/SPECIAL REQUIREMENTS
 3.1 "ANTI-SEIZE" SHALL BE USED ON ALL STAINLESS TO STAINLESS HARDWARE CONNECTIONS
 3.2 "No-OX" SHALL BE USED ON ALL CHASSIS TO GROUND CABLE CONNECTIONS
 3.3 THIS TABLE IS FOR US45 ONLY
 3.4 REMOVE THE TAPE BEFORE PLACING THE CABLE
 4.0 TEST
 5.0 PACKAGING
 5.1 PACKAGING SHALL MEET COMMSCOPE REQUIRMENTS PER DOCUMENT IS-PL-3005

REVISIONS			
REV.	DESCRIPTION	DATE	APPROVED
A	INITIAL RELEASE	ZL1057 25JUL22	ZM1026 40152305CMO



COMPONENT PART NUMBERS PROVIDED FOR ASSEMBLY PURPOSES;
 INDIVIDUAL COMPONENTS MAY BE SHIPPED AS PARTS WITHIN AN INCLUDED KIT.

ITEM NO.	PART NUMBER	DESCRIPTION	QTY.
1	MTM1137-0000-XX	ASSEMBLY, ENCLOSURE, DBHP	1
2	MTM1117-6000-XX	ASSY,ENCLOSURE POLE MOUNT,MV2	1
3	MTM1161-1000	KIT,MTG BRACKETS,DBHP	1

DENSITY	g/mm ³
MASS	300372.9349 grams
VOLUME	177409721.7134mm ³
SURFACE AREA	54817283.8957 mm ²
HEIGHT	
LENGTH	
WIDTH	

COMMSCOPE, INC. OF NORTH CAROLINA

TOLERANCES		SAP MATERIAL MASTER	
0 PLACE X[.X] ± 5[0.2]	2 PLACE .XX[.XXX] ± 1.50[0.060]	SSC-760251532N1X	
1 PLACE .X[.XX] ± 3.0[0.12]	ANGLES ± 2°		
FINISH SEE NOTES		MATERIAL SEE BOM	
UNLESS OTHERWISE SPECIFIED DIMENSIONS ARE IN MILLIMETERS INTERPRET PER ISO STANDARDS HANDBOOK TECHNICAL DRAWINGS VOLUMES 1 & 2, THIRD EDITION (2002)		NAME	DATE
		CE ZL1057	25JUL22
		RW ZL1057	07/27/2022
		AD ZM1026	08/12/2022
		RE ZL1057	08/12/2022
ECN 40152305CMO		TITLE ASSY,ENCLOURE,DBHP,NOKIA	
SIZE	Auth Group INSL	SCALE	DOCUMENT NO.
A2		1:20	SSC-760251532N1X
VERSION		DRAWING	
00	RE	REVISION	VERSION STATUS REVISION
	A	00	RE A
			SHEET 1 OF 1