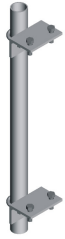


PM-238-84



Adjustable Pipe Mount, 2-3/8 in OD x 84 in

Product Classification

Product Type Pipe mount

General Specifications

Mounting Saddle mounts

Note One 96 in x 8 in panel antenna per pipe mount

Pipe, quantity 1

Tower Taper Non-tapered

Dimensions

Height 2,133.6 mm | 84 in

Width 152.4 mm | 6 in

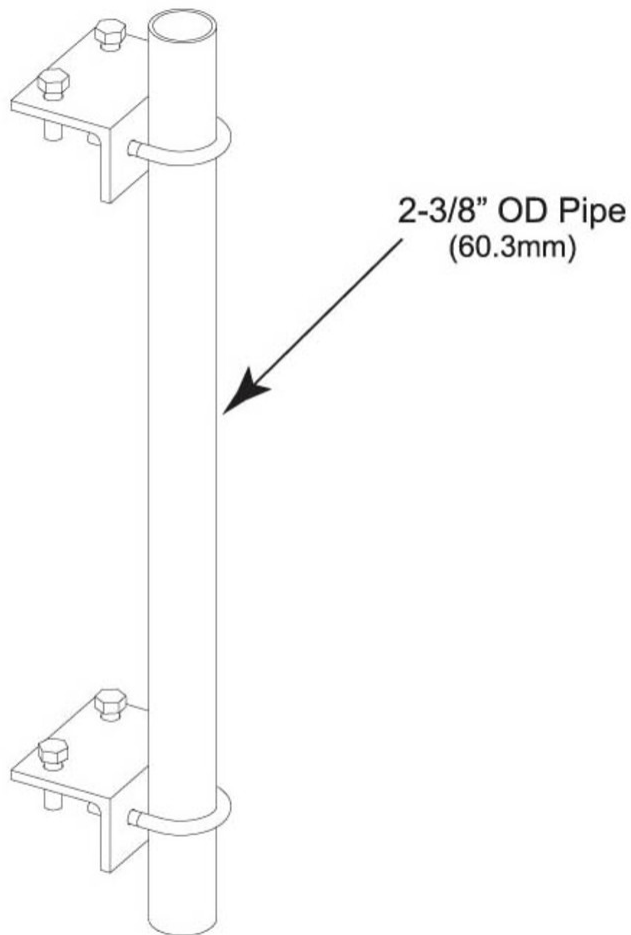
Length 152.4 mm | 6 in

Pipe Length 2,133.6 mm | 84 in

Pipe Outer Diameter 60.96 mm | 2.4 in

PM-238-84

Outline Drawing



Material Specifications

Material Type Hot dip galvanized steel

Mechanical Specifications

Wind Rating 120 mph (BWS) at 150 ft AGL

Wind Rating Test Method TIA/EIA-222

Packaging and Weights

Included Brackets | Hardware | Pipe

Packaging quantity 1

PM-238-84

Weight, net

11.8 kg | 26.015 lb

Regulatory Compliance/Certifications

Agency**Classification**

ISO 9001:2015

Designed, manufactured and/or distributed under this quality management system

Included Products

MT-651-84 - Plain End Pipe, 2-3/8 in OD x 84 in .120" A500C
46Ksi

* Footnotes

Wind Rating

BWS—Base Wind Speed; FBC—Florida Building Code