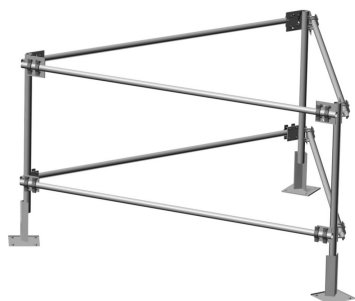


# TP-300

---



Multi-Sector Rooftop Mount

## Product Classification

**Product Type** Rooftop mount

## General Specifications

**Mounting** Penetrating

## Dimensions

**Height** 1905 mm | 75 in

**Face Width** 3.81 m | 12.5 ft

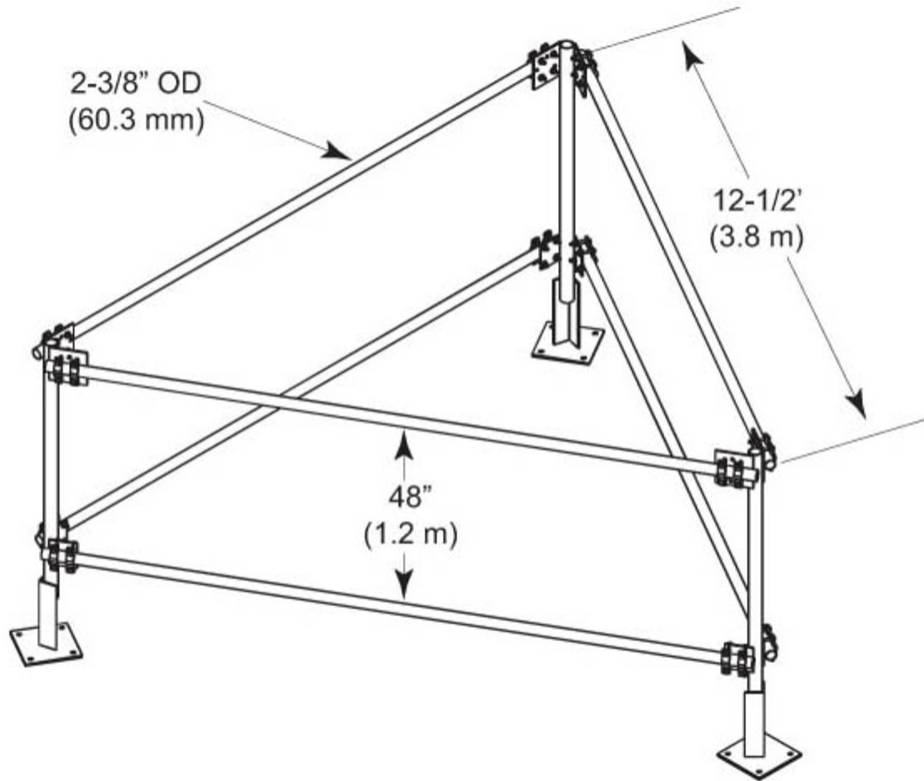
**Width** 3810 mm | 150 in

**Length** 3.81 m | 12.5 ft

**Pipe Outer Diameter** 60.96 mm | 2.4 in | 73.66 mm | 2.9 in

# TP-300

## Outline Drawing



## Material Specifications

**Material Type** Hot dip galvanized steel

## Mechanical Specifications

**Wind Rating** For Specifications, please contact [steelproducts@commscope.com](mailto:steelproducts@commscope.com) or call 800-255-1479

## Packaging and Weights

**Included** Mount

**Packaging quantity** 1

**Weight, net** 257.9 kg | 568.571 lb

## Regulatory Compliance/Certifications

**Agency** **Classification**

# TP-300

---

ISO 9001:2015

Designed, manufactured and/or distributed under this quality management system

## \* Footnotes

### **Wind Rating**

BWS—Base Wind Speed; FBC—Florida Building Code