

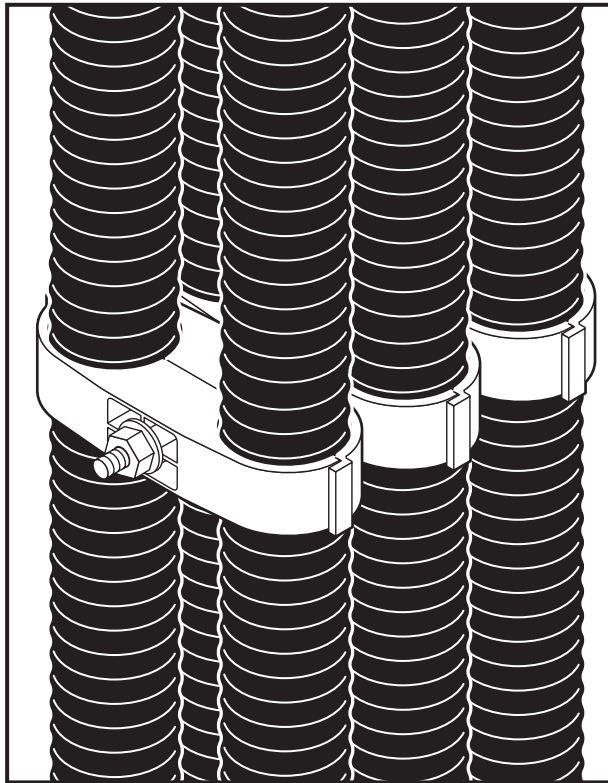
# Installation Instructions



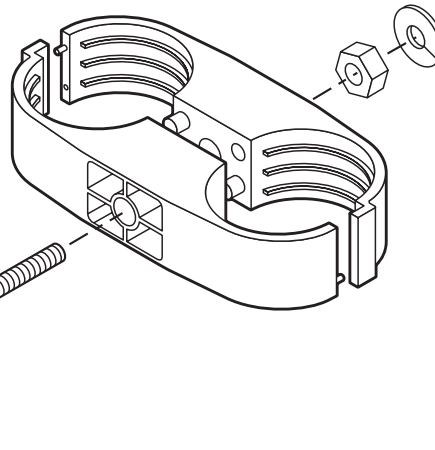
Bulletin 7614761 Revision B Page 1 of 2

## Double Hanger Kits for HELIAX® Coaxial Cables

Andrew Institute offers installation training.

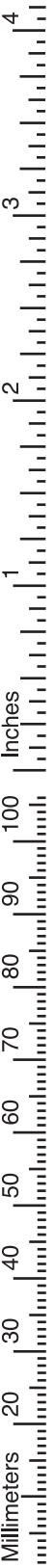


Tighten to  
 $1 \frac{1}{2}$  N·m



Angle adapter  
Adaptador angular  
Adaptateur d'angle  
Winkeladapter  
Adaptador em ângulo  
斜角转接头

3.5 - 4.5 N·m



### Andrew LLC

#### Customer Service 24 hours

U.S.A., Canada, Mexico:  
for HELIAX® AVA Cables call 1-800-255-1479  
for HELIAX® SFX, FXL Cables call 1-888-235-5732  
U.K.: 0800 250055  
Other Europe: +44 592 782 612

[www.commscope.com](http://www.commscope.com)

Visit our Web site at [www.commscope.com](http://www.commscope.com) or contact your local Andrew LLC representative for more information.

© 2009 CommScope, Inc. All rights reserved.

Andrew LLC is a trademark of CommScope. All trademarks identified by ® or ™ are registered trademarks or trademarks, respectively, of CommScope. This document is for planning purposes only and is not intended to modify or supplement any specifications or warranties relating to Andrew LLC products or services.

Notice: Andrew LLC disclaims any liability or responsibility for the results of improper or unsafe installation, inspection, maintenance, or removal practices.

Aviso: Andrews LLC no acepta ninguna obligación ni responsabilidad como resultado de prácticas incorrectas o peligrosas de instalación, inspección, mantenimiento o retiro.

Avis : Andrew LLC décline toute responsabilité pour les conséquences de procédures d'installation, d'inspection, d'entretien ou de retrait incorrectes ou dangereuses.

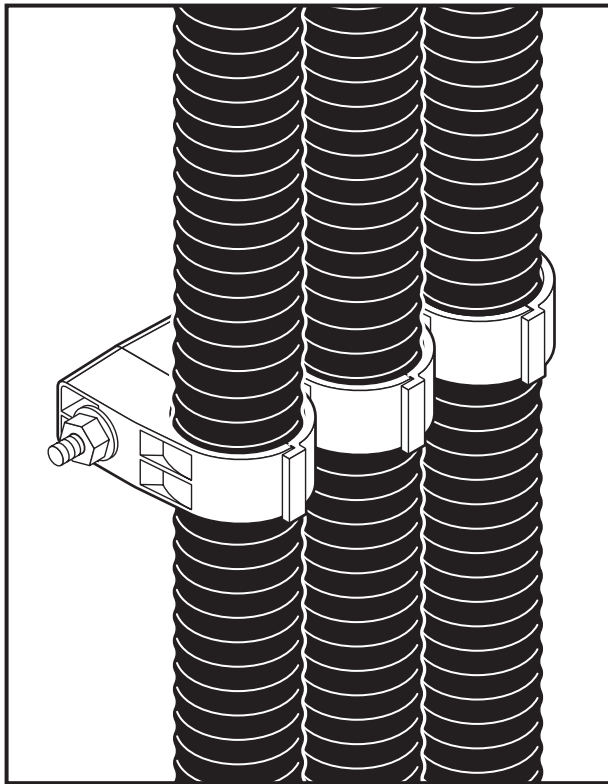
Hinweis: Andrew LLC lehnt jede Haftung oder Verantwortung für Schäden ab, die aufgrund unsachgemäßer Installation, Überprüfung, Wartung oder Demontage auftreten.

Atenção: A Andrew LLC abdica do direito de toda responsabilidade pelos resultados de práticas inadequadas e sem segurança de instalação, inspeção, manutenção ou remoção.

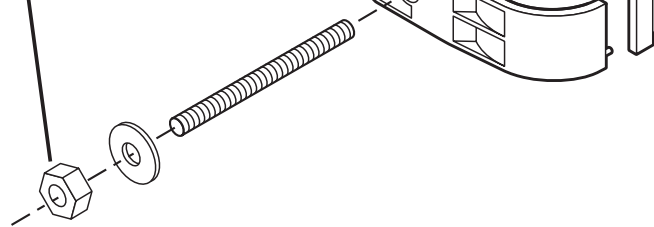
Avvertenza: Andrew LLC declina eventuali responsabilità derivanti dall'esecuzione di procedure di installazione, ispezione, manutenzione e smontaggio improprie o poco sicure.

注意：Andrew 公司申明對於不恰當或不安全的安裝、檢驗、維修或拆卸操作所導致的後果不負任何義務和責任

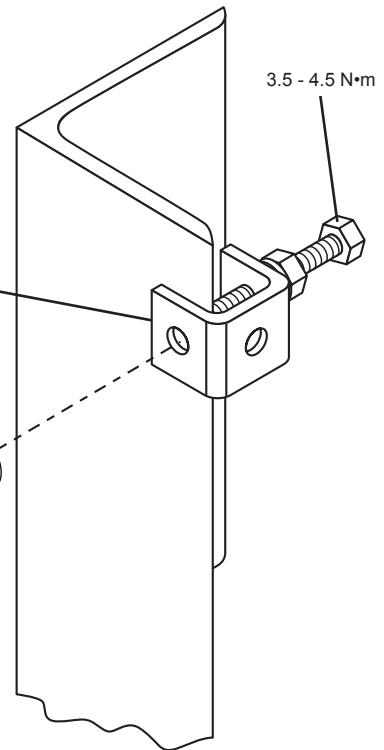
**Single Hanger Kits**  
for HELIAX® Coaxial Cables



Tighten to  
1.5 N·m



Angle adapter  
Adaptador angular  
Adaptateur d'angle  
Winkeladapter  
Adaptador em ângulo  
斜角转接头



**Andrew LLC**

**Customer Service 24 hours**

U.S.A., Canada, Mexico:  
for HELIAX® AVA Cables call 1-800-255-1479  
for HELIAX® SFX, FXL Cables call 1-888-235-5732  
U.K.: 0800 250055  
Other Europe: +44 592 782 612

[www.commscope.com](http://www.commscope.com)

Visit our Web site at [www.commscope.com](http://www.commscope.com) or contact your local Andrew LLC representative for more information.

© 2009 CommScope, Inc. All rights reserved.  
Andrew LLC is a trademark of CommScope. All trademarks identified by ® or ™ are registered trademarks or trademarks, respectively, of CommScope. This document is for planning purposes only and is not intended to modify or supplement any specifications or warranties relating to Andrew LLC products or services.

Notice: Andrew LLC disclaims any liability or responsibility for the results of improper or unsafe installation, inspection, maintenance, or removal practices.  
Aviso: Andrews LLC no acepta ninguna obligación ni responsabilidad como resultado de prácticas incorrectas o peligrosas de instalación, inspección, mantenimiento o retiro.  
Avis: Andrew LLC décline toute responsabilité pour les conséquences de procédures d'installation, d'inspection, d'entretien ou de retrait incorrectes ou dangereuses.  
Hinweis: Andrew LLC lehnt jede Haftung oder Verantwortung für Schäden ab, die aufgrund unsachgemäßer Installation, Überprüfung, Wartung oder Demontage auftreten.  
Atenção: A Andrew LLC abdica do direito de toda responsabilidade pelos resultados de práticas inadequadas e sem segurança de instalação, inspeção, manutenção ou remoção.  
Avvertenza: Andrew LLC declina eventuali responsabilità derivanti dall'esecuzione di procedure di installazione, ispezione, manutenzione e smontaggio improprie o poco sicure.  
注意: Andrew 公司申明對於不恰當或不安全的安裝、檢驗、維修或拆卸操作所導致的後果不負任何義務和責任