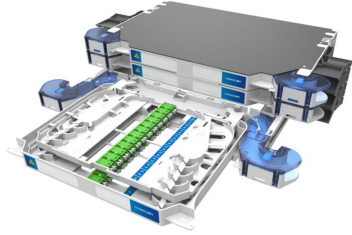


FACT-PATCH-CHASSIS

Base Product



FACT® Series Fiber Optic Patch Chassis for FACT ODF

The building blocks of the FACT® optical distribution frame system are the FACT® chassis. FACT® chassis can be deployed individually as a single-element chassis, or up to six similar elements can be combined into high fiber-count FACT® chassis. The single-element FACT® chassis measures 30.95 mm (1.22 in.) tall, 30 percent less than the standard HU/1RU (44.45 mm/1.75 in.). Each FACT® element features two hinged trays, providing full front access to both sides of all connections and clear visibility of all ports.

The FACT® patch-only chassis supports cross-connect and interconnect applications and is available with SC and LC adaptors. The FACT patch-only chassis accommodates 24 SC connections or 48 single LC connections per element.

The FACT® patch chassis is available in 5 height versions:

- 1E
- 2E
- 3E
- 4E
- 5E
- 6E

Product Classification

Regional Availability	Asia Australia/New Zealand EMEA Latin America North America
Portfolio	CommScope®
Product Type	Fiber patch chassis
Product Brand	FACT®
Product Series	FACT

General Specifications

Functionality	Patching Splicing
Application	Compatible with FIST-GR3-style frames
Body Style	Symmetrical
Color	Gray
Interface, front	LC/APC LC/UPC SC/APC SC/UPC
Rack Type	EIA 19 in

FACT-PATCH-CHASSIS

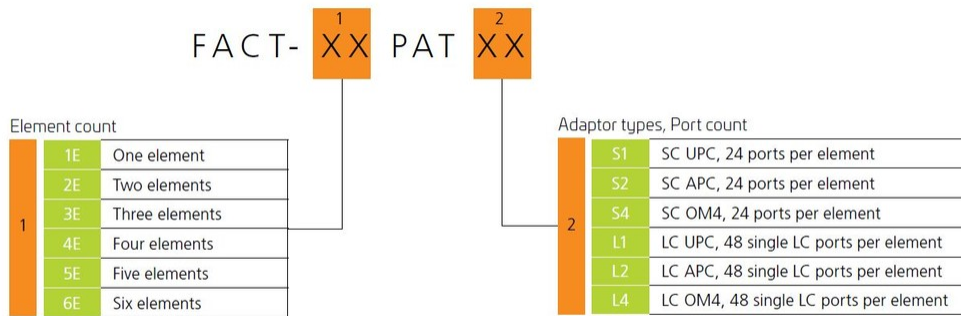
Shelf Movement Sliding

Dimensions

Width 524 mm | 20.63 in

Depth 283 mm | 11.142 in

Ordering Tree



Environmental Specifications

Operating Temperature -40 °C to +70 °C (-40 °F to +158 °F)

Storage Temperature -20 °C to +85 °C (-4 °F to +185 °F)

Flammability Rating UL 94 V-0

Packaging and Weights

Included Mounting hardware