

APG-BNFNF-090



Arrestor Plus® Gas Tube Surge Arrestor (90 V), 45–2170 MHz, with interface types N Female Bulkhead and N Female

Product Classification

Product Type	Surge arrestor
Ordering Note	CommScope® non-standard product

General Specifications

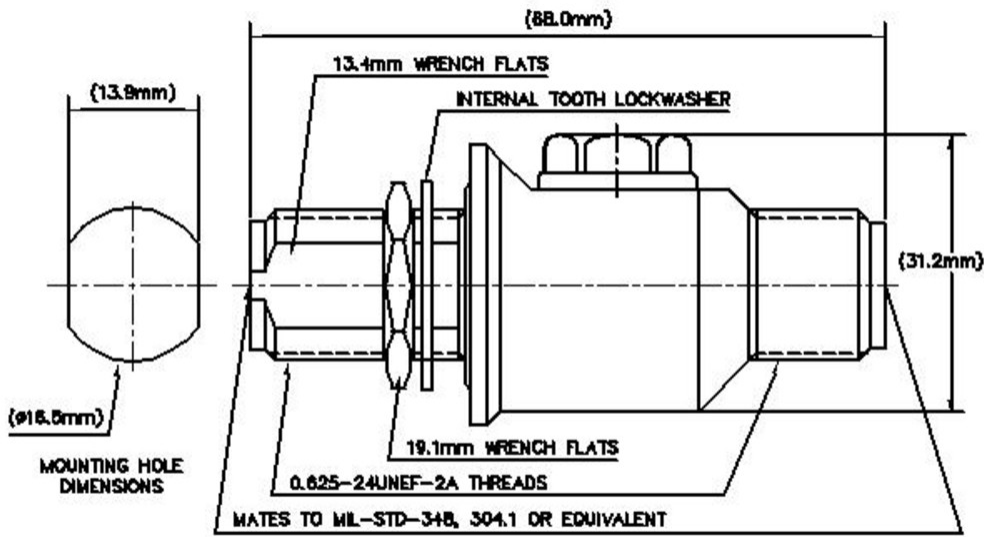
Device Type	dc Pass
Body Style	Bulkhead
Inner Contact Plating	Gold
Interface	N Female Bulkhead
Interface 2	N Female
Outer Contact Plating	Silver
Pressurizable	No

Dimensions

Height	30.99 mm 1.22 in
Width	30.99 mm 1.22 in
Length	68.07 mm 2.68 in

Outline Drawing

APG-BNFNF-090



Electrical Specifications

Insertion Loss, typical	0.2 dB
Average Power	30 W
Connector Impedance	50 ohm
Gas Tube Voltage	90 V
Lightning Surge Current	20 kA
Lightning Surge Current Waveform	8/20 waveform
Operating Frequency Band	1000 – 2000 MHz 2000 – 2170 MHz 45 – 1000 MHz

VSWR/Return Loss

Frequency Band	VSWR	Return Loss (dB)
45–1000 MHz	1.101	26.36
1000–2000 MHz	1.135	23.98
2000–2170 MHz	1.173	21.98

Mechanical Specifications

Attachment Durability	25 cycles
Interface Durability	500 cycles
Interface Durability Method	IEC 61169-16:9.5
Mechanical Shock Test Method	MIL-STD-202F, Method 213B, Test Condition C

APG-BNFNF-090

Environmental Specifications

Operating Temperature	-40 °C to +100 °C (-40 °F to +212 °F)
Storage Temperature	-40 °C to +100 °C (-40 °F to +212 °F)
Attenuation, Ambient Temperature	20 °C 68 °F
Average Power, Ambient Temperature	40 °C 104 °F
Corrosion Test Method	MIL-STD-202, Method 101, Test Condition B
Immersion Depth	1 m
Immersion Test Mating	Mated
Immersion Test Method	IEC 60529:2001, IP68
Moisture Resistance Test Method	MIL-STD-202, Method 106
Thermal Shock Test Method	MIL-STD-202, Method 107, Test Condition A-1, Low Temperature -55 °C
Vibration Test Method	GR 2846-CORE
Water Jetting Test Mating	Mated
Water Jetting Test Method	IEC 60529:2001, IP66

Packaging and Weights

Weight, net	0.141 kg 0.31 lb
--------------------	--------------------

Regulatory Compliance/Certifications

Agency	Classification
CHINA-ROHS	Below maximum concentration value
ISO 9001:2015	Designed, manufactured and/or distributed under this quality management system
REACH-SVHC	Compliant as per SVHC revision on www.commscope.com/ProductCompliance
ROHS	Compliant
UK-ROHS	Compliant



* Footnotes

Insertion Loss, typical	0.05√freq (GHz) (not applicable for elliptical waveguide)
Immersion Depth	Immersion at specified depth for 24 hours