

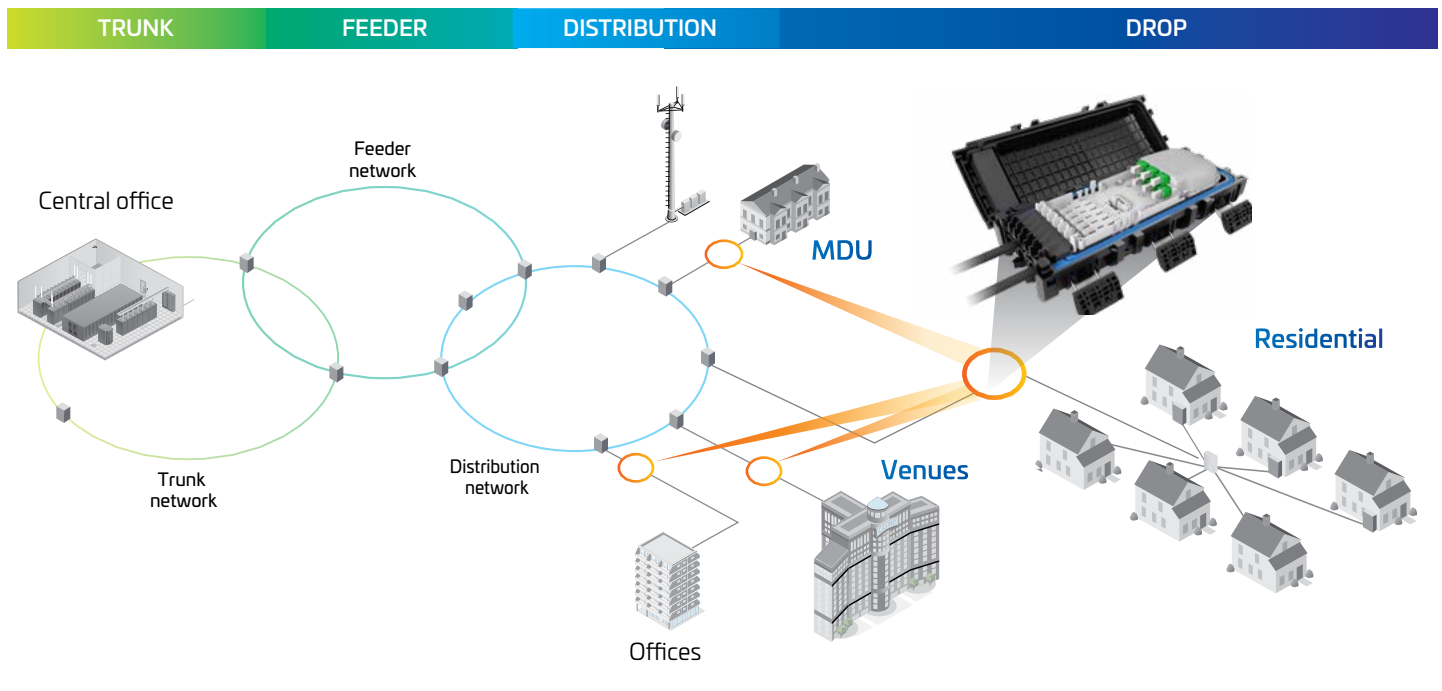
NOVUX[®] Compact Closures

Agility for today's FTTX deployments with the flexibility for tomorrow's



NOVUX Compact Closures are optimized for new builds, expansions and upgrades in FTTX last-mile drop applications.

Designed to help providers maximize today's fiber-to-the-X (FTTX) infrastructure while moving toward the future, NOVUX Compact Closures are connectivity independent to support more field conditions and locations. They offer superior reliability, easy access and re-entry to quickly adapt to changes and faster, uniform installation to meet bandwidth and rollout speed demands.



NOVUX is the industry's first modular FTTX ecosystem designed to win the fiber race today and win it tomorrow.

NOVUX Compact Closures are part of CommScope's new NOVUX® ecosystem—the next step in the evolution of connectivity and FTTX networks that overcomes the challenges of increased competition, cost pressures, supply chain constraints and labor challenges. Configurable, scalable and simple, NOVUX transforms networks with a modular, end-to-end architecture that is faster to install, faster to market and future ready.



Configurable. Scalable. Simple.

CommScope is raising the bar on compact closures

Application flexibility at its best. Because not all networks are the same.

Connectivity independence

NOVUX Compact Closures come in a range of sizes and are connectivity independent with integrated in-tray optical technology. Splice-only, pre-connectorized drop, or field-installable connector choices let network planners deploy closures more easily in more locations.



Available in 3 different sizes



Reliable, reusable and re-enterable. Because you need to quickly adapt.

Optimized for today and tomorrow

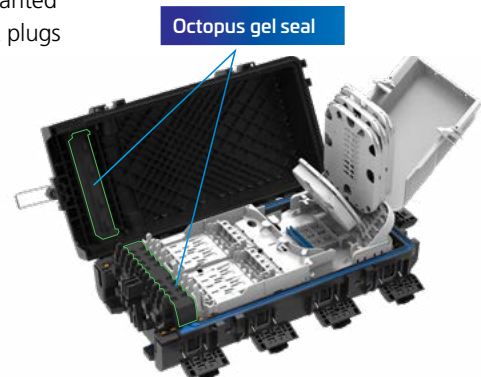
NOVUX Compact Closures allow providers to respond quickly to new field requirements, while maintaining maximum reliability and performance.

- Flexibility to add drop cables
- Optimized fiber management, storage and cable retention
- Feeder and dual/single branch cable attachment
- IP68 2-meter water head
- Hinge lock system for security

Advanced Octopus™ gel seal

NOVUX Compact Closures feature advanced Octopus gel seal technology that is more resilient and more conformable for better protection from harsh environmental conditions and easier upgrades and maintenance.

- Easy access for ongoing re-entry
- Highly resilient with good compression control
- Supports a wider range of cable diameters
- Eliminates unwanted gaps and blank plugs



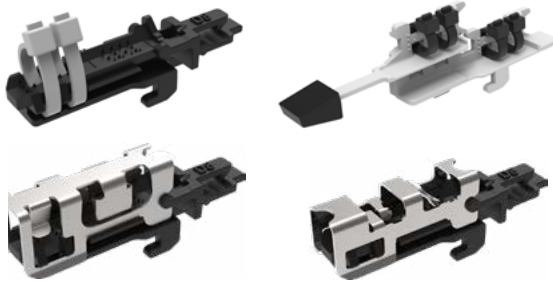
Faster, uniform installation accelerates FTTX rollouts

Whatever your application and wherever you need to mount them, NOVUX Compact Closures ensure fast, easy and efficient installation with uniform processes and techniques across the entire portfolio. Innovative termination, functionality and mounting means providers can step up their deployments while reducing cost and overcoming the challenges of skilled labor shortages.

Easy out-of-closure cable prep and termination

Universal cable termination units (CTUs) let installers prep and terminate cables outside of the NOVUX Compact Closure for less time in the closure and less time in the field. Once termination is complete, the CTUs simply click into the closure.

- Empowered by Octopus gel technology
- Accommodates multiple cable types and sizes
- Single and dual-layer options available
- Universal support across multiple closures



Optimized accessibility with intuitive functionality

From the beginning, NOVUX Compact Closures were designed for ease of installation and access. And because we began with that goal in mind, your technicians will love the way this totally new component simplifies their fieldwork.

- Removable inner body with 360-degree access for ease of fiber routing
- Innovative removable hinge design allows cover to open from the left, right or top
- Easy entry with Octopus gel, even after numerous accesses
- Intuitive one-touch, slide-and-click functionality



Ready for the field workforce of the future

Fast, intuitive mounting

NOVUX Compact Closures feature built-in mounting clips and straps for easy, quick mounting on nearly any surface. And to ease installation and maintenance, CommScope's universal click-in mounting bracket can be used in all applications.



Universal mounting bracket attaches to the built-in mounting features on the back of the closure



Standard mounting clips



Pole mounting



Pedestal mounting



Strand mounting



Wall or flat surface mounting

One-click access to all product information

NOVUX Compact Closures come with a QR code that allows installers to access CommScope's cTrak® app and an optional customer-configurable ID plate.

- Quick digital access to information, specifications, installation instructions, videos, schematics, and test results
- Ease of network record-keeping
- Clarity for multiple operators that share locations
- Helps installers find your closures and service your network faster



YOUR LOGO



[See how cTRAK works](#)

[Download cTRAK app](#)

The ultimate flexibility for more field conditions and locations



Product detail	CSC 40	CSC 100	CSC 150	CSC 200
Splice/patch capacity	24/8	24/12	72/16	144/168
Splice-only capacity	48	48 or 72 (SC)	72 or 96	144/168
Drops*	4 SC or 8 LC	6 SC or 12 LC	8 SC or 16 LC	12 / 16 SC or 24 LC
Splitter quantity	Up to 2	Up to 2	Up to 3	Up to 3
Feeder ports	2	3	4	4
Feeder Cable size	6-14 mm (0.23-0.55 in)	6-14 mm (0.23-0.55 in)	6-18 mm (0.23-0.71 in)	6-18 mm (0.23-0.71 in)
L x W x H	215 x 117 x 77 mm (8.46 x 4.6 x 3.0 in)	284 x 117 x 77 mm (11.2 x 4.6 x 3.0 in)	357 x 185.4 x 115 mm (14.05 x 7.28 x 4.53 in)	388.2 x 222 x 116 mm (15.28 x 8.74 x 4.56 in)
Colors	Black or gray	Black or gray	Black or gray	Black or gray

*Note: drops cable sizes from 0 - 8mm (0.31in) - please see cable termination unit options



NOVUX helps achieve net-zero targets and build a sustainable broadband future

CommScope designed NOVUX using sustainable practices to help customers meet their own corporate sustainability goals.

- Optimized supply chain and regional manufacturing capability
- Reduced inventory due to modular design
- Smaller sizes with less materials
- Eliminated printed materials with QR codes and cTrak
- Compact, convenient packaging

LESS

Waste and materials

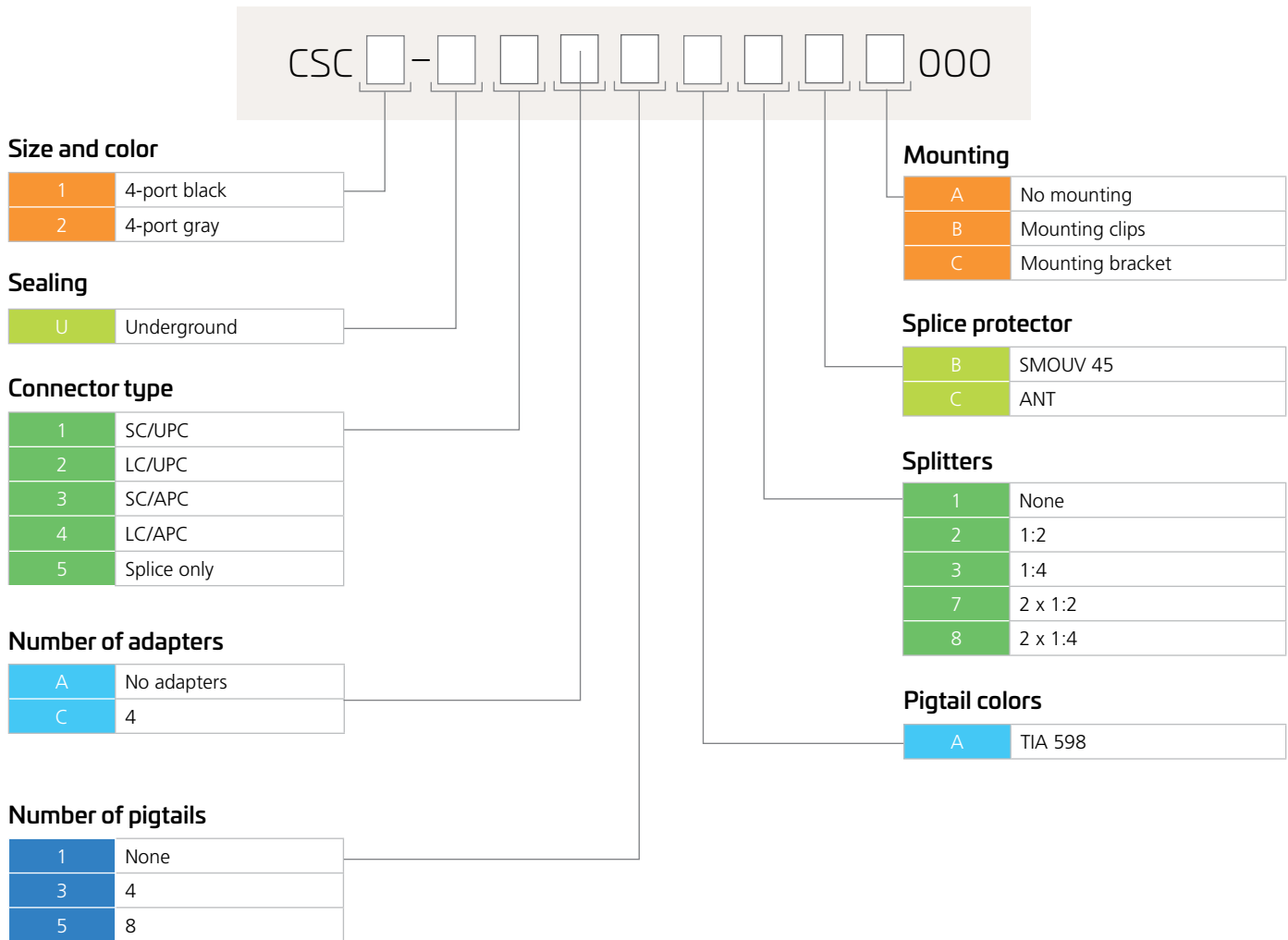
Single-use plastics

Packaging and paper

Carbon footprint
and emissions

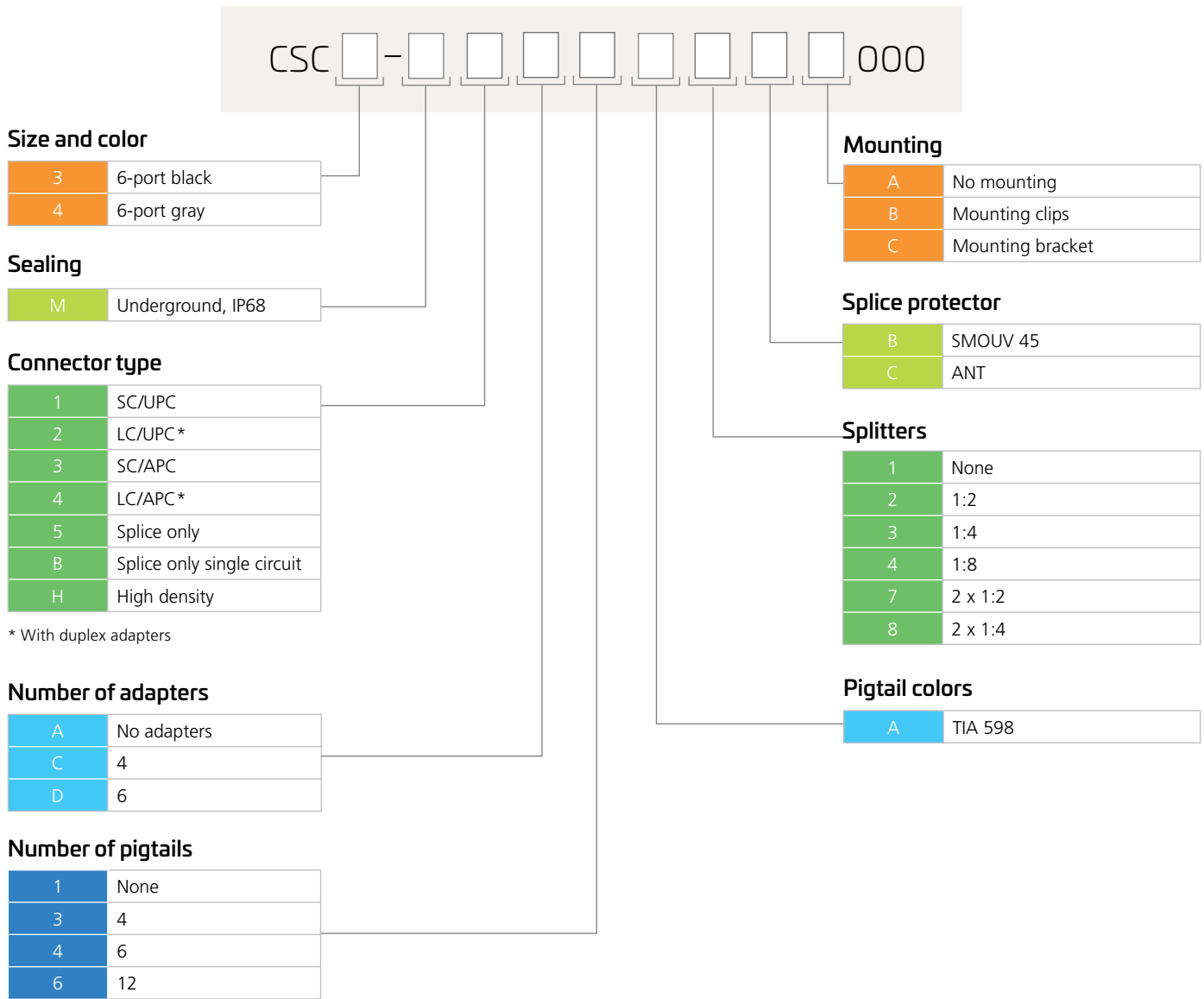


NOVUX Compact Closure CSC 40 ordering information



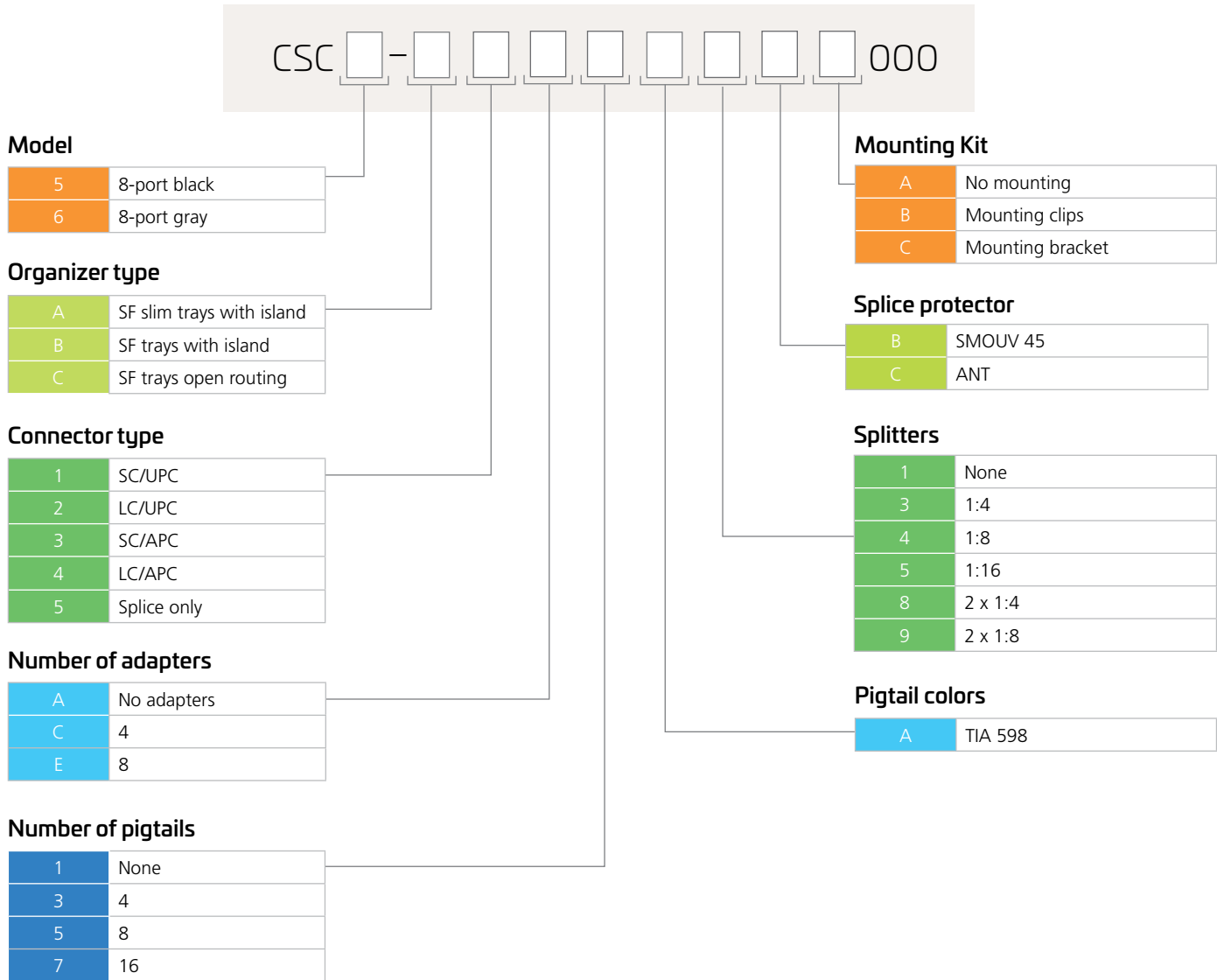
Contact your CommScope representative for configuration availability.

NOVUX Compact Closure CSC 100 ordering information



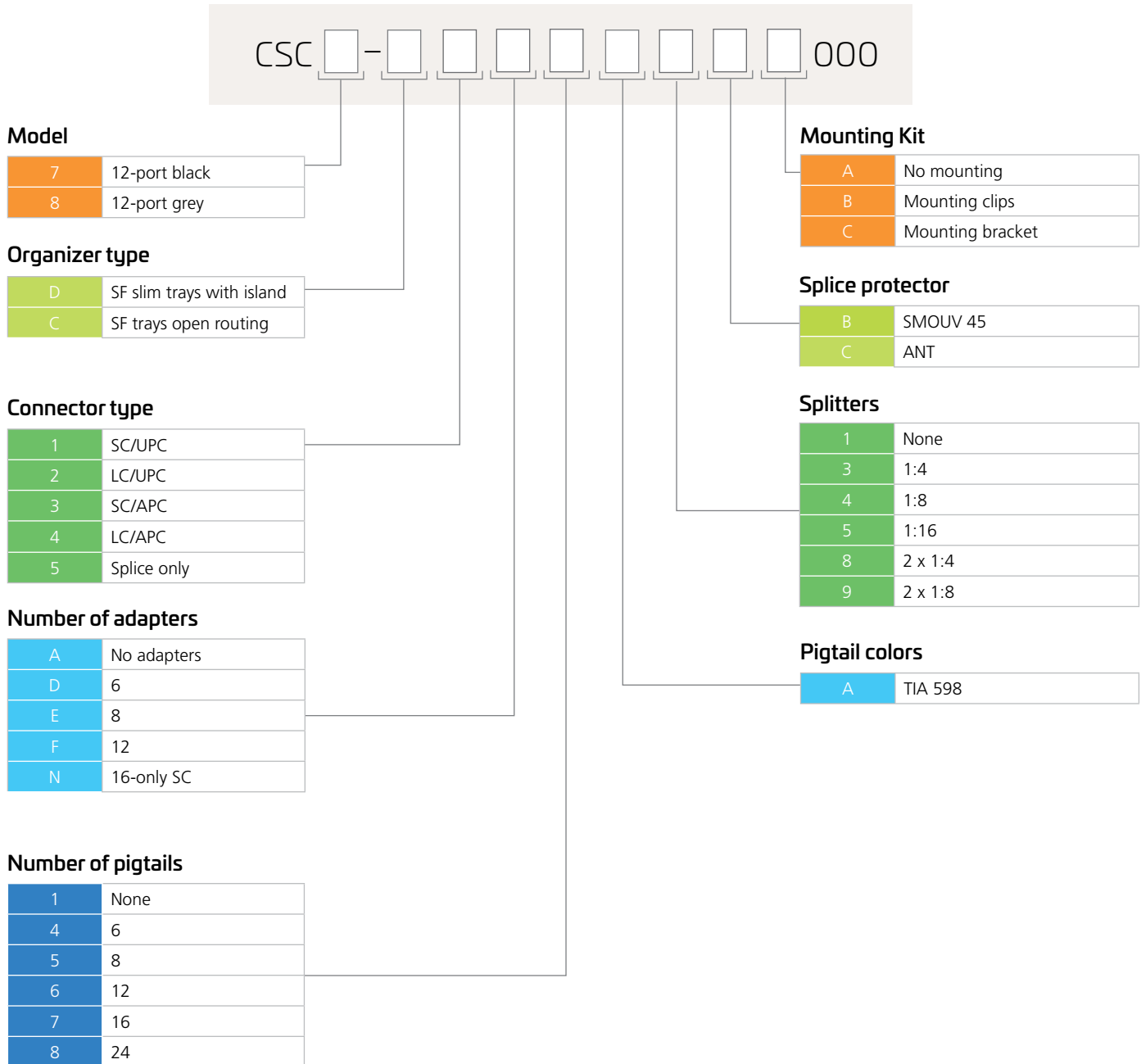
Contact your CommScope representative for configuration availability.

NOVUX Compact Closure CSC 150 ordering information



Contact your CommScope representative for configuration availability.

NOVUX Compact Closure CSC 200 ordering information



Contact your CommScope representative for configuration availability.

Cable retention accessories



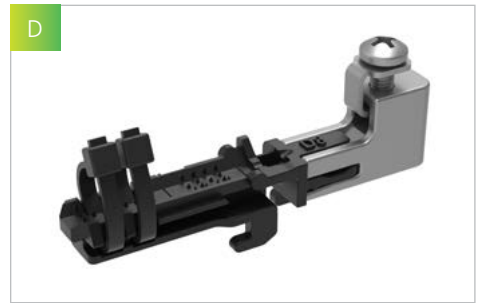
NVX-CR-MC-FT-NN

- Flat cable
- Metal clip
- Range: 3 x 5 to 4 x 8 mm (0.11 x 0.19 to 0.15 x 0.31 in)



NVX-CR-MC-RD-NN

- Round cable
- Metal clip
- Range: 4 to 6.2 mm (0.15 to 0.24 in)



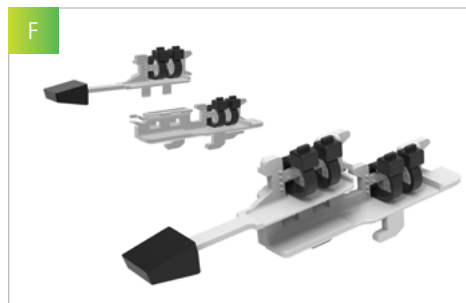
NVX-CR-SA-SM-NN

- Round cable
- Small, up to 8 mm (0.31 in)
- Strength member
- Aramid yarns
- Single layer



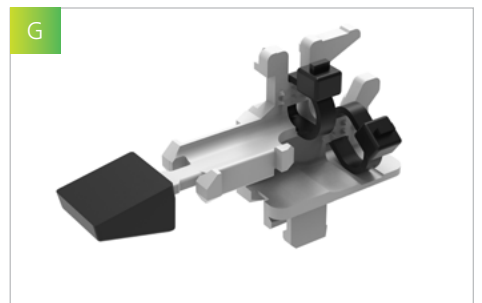
NVX-CR-TI-SM-NN

- Round cable
- Small, up to 8 mm (0.31 in)
- Aramid yarns
- Single layer



NVX-CR-DU-FL-NN

- Round cable
- Up to 6.2 mm (0.24 in)
- Aramid yarns
- Dual layer/ split carrier
- Full length



NVX-CR-DU-SL-NN

- Round cable
- Small, up to 6.2 mm (0.24 in)
- Aramid yarns
- Dual layer
- Compact length
- CSC 40 only

Cable retention accessories

		CSC 40	CSC 100	CSC 150	CSC 200
B	NVX-CR-MC-FT-NN	✗	✓	✓	✓
C	NVX-CR-MC-RD-NN	✗	✓	✓	✓
D	NVX-CR-SA-SM-NN	✗	✓	✓	✓
E	NVX-CR-TI-SM-NN	✗	✓	✓	✓
F	NVX-CR-DU-FL-NN	✗	✓	✓	✓
G	NVX-CR-DU-SL-NN	✓	✗	✗	✗
H	NVX-CR-SA-ME-NN*	✗	✓	✓	✓
I	NVX-CR-SA-LA-NN	✗	✗	✓	✓

*A grid plate (NVX-GRID-CC-NN-CC2) on feeder cables side must be used in CSC150 and CSC200

Product characteristics

Product characteristics	CSC 40	CSC 100	CSC 150	CSC 200
Sealing level	IP68 2-meter water head, 20kPa	IP68 2-meter water head, 20kPa	IP68 2-meter water head, 20kPa	IP68 2-meter water head, 20kPa
Connectivity technology	Splice only, Pre-connectorized, FIC	Splice only or Pre-connectorized drop or Field installable connector (FIC)	Splice only or Pre-connectorized drop or Field installable connector (FIC)	Splice only or Pre-connectorized drop or Field installable connector (FIC)
Splice capacity (SMOUV 45)	24 (splice/patch)	24 (splice/patch)	72 (splice/patch)	144 (splice/patch)
	48 (splice/splice)	48 (splice/splice) or high dense up to 72 splices	72 (splice/splice) or high dense up to 96 splices	144 (splice/splice) or high dense up to 168 splices
Adapters (*)	4 SC or 8 LC on drop cable side	6 SC or 12 LC	8 SC or 16 LC	12 (16) SC or 24 LC
Splitter qty	up to 2 splitters	up to 2 splitters	up to 3 splitters	up to 3 splitters
Feeder cable type	Optimized for microsheet	Optimized for microsheet	ALL conventional cables	ALL conventional cables
Feeder port size	6-14mm, 0.23 inch – 0.55 inch	6-14mm, 0.23 inch – 0.55 inch	6 – 18 mm , 0.23 inch – 0.71 inch	6 – 18 mm , 0.23 inch – 0.71 inch
Feeder port qty	2	3	4	4
Drop port size	1-8 mm round, 0.04 in – 0.32 in or 3x5 to 4x8 mm flat (gel), 0.32 in x 0.18 in	1-8 mm round, 0.04 in – 0.32 in or 3x5 to 4x8 mm flat (gel), 0.32 in x 0.18 in	1-8 mm round, 0.04 in – 0.32 in or 3x5 to 4x8 mm flat (gel), 0.32 in x 0.18 in	1-8 mm round, 0.04 in – 0.32 in or 3x5 to 4x8 mm flat (gel), 0.32 in x 0.18 in
Drop port qty ,Single	4	6	8	12
Drop port qty ,Dual	8 (up to 6.2mm)	12 (up to 6.2mm)	16 (up to 6.2mm)	24 (up to 6.2mm)
L x W x H	215 x 117 x 77 mm (V< 2L), 8.46 x 4.6 x 3.0 inch	284 x 117 x 77 mm (V< 2L), 11.2 x 4.6 x 3.0 inch	357 x 185.4 x 115 mm (V< 6 I), 14.05 x 7.28 x 4.53 inch	388.2 x 222 x 116 mm (V< 9 I), 15.28 x 8.74 x 4.56 inch
Security	Lock or Led wire through an eye hole	Lock or Led wire through an eye hole	Lock or Led wire through an eye hole	Lock or Led wire through an eye hole
Demarcation	YES	YES	YES	YES
Storage uncut fiber	YES	YES	YES	YES
Valve	Air valve option (via port)	Air valve option (via port)	Air valve option (via port)	Air valve option (via port)
Grounding	YES	YES	YES	YES
Tested	According to IEC 60529	According to IEC 60529	According to IEC 60529	According to IEC 60529
Color	Black RAL9005 or Gray RAL7035	Black RAL9005 or Gray RAL7035	Black RAL9005 or Gray RAL7035	Black RAL9005 or Gray RAL7035
Orientation	Butt	Butt	Butt	Butt

Accessories

		CSC 40	CSC 100	CSC 150	CSC 200
NVX-UMC-NN-NN-CC1	Mounting clips S	✓	✓	✗	✗
NVX-UMC-NN-NN-CC2	Mounting clips M	✗	✗	✓	✓
NVX-UMB-NN-SS-BK	Universal mounting bracket S	✓	✓	✗	✗
NVX-UMB-NN-MM-BK	Universal mounting bracket M	✗	✗	✓	✓
NVX-SMB-CC-NN-NN	Universal strand mount kit	✓	✓	✓	✓
NVX-VLV-NN-NN-NN	Valve kit	✓	✓	✓	✓
NVX-LCK-NN-NN-TRI	Hingelock kit	✓	✓	✓	✓
NVX-CR-EX-NN-CC1	External cable fix bracket	✓	✓	✗	✗
NVX-CR-EX-NN-CC2	External cable fix bracket	✗	✗	✓	✓
NVX-GRND-CC-NN-C04	Grounding kit	✓	✗	✗	✗
NVX-GRND-CC-NN-C10	Grounding kit	✗	✓	✗	✗
NVX-GRND-CC-NN-C15	Grounding kit	✗	✗	✓	✓
NVX-CMB-NN-UV-BK	Cable mounting bracket	✓	✓	✗	✗
NVX-GRID-CC-NN-CC2	Grid plate for smaller cables	✗	✗	✓	✓

CommScope pushes the boundaries of communications technology with game-changing ideas and ground-breaking discoveries that spark profound human achievement.

We collaborate with our customers and partners to design, create and build the world's most advanced networks. It is our passion and commitment to identify the next opportunity and realize a better tomorrow. Discover more at [commscope.com](https://www.commscope.com).



[commscope.com](https://www.commscope.com)

Visit our website or contact your local CommScope representative for more information.

© 2024 CommScope, LLC. All rights reserved.

CommScope and the CommScope logo are registered trademarks of CommScope and/or its affiliates in the U.S. and other countries. For additional trademark information see <https://www.commscope.com/trademarks>. All product names, trademarks and registered trademarks are property of their respective owners.