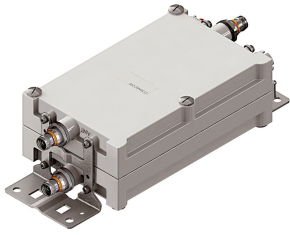


E14R00P35



Dual Band Tower Mounted Amplifier, 1800/2100 MHz with 1400 MHz bypass, 12 dB, 2 BTS & 2 ANT ports, AISG with 1 RET connector (1 devices with 2 sub-units each), with 4.3-10 connectors

- Industry leading PIM performance
- New 4.3-10 connectors for improved PIM performance and size reduction
- Designed for network modernization application, introduction of LTE1400 on existing site
- TMA with 1452-1492 MHz bypass
- 2 input ports and 2 output ports
- Automatic LNA by-pass function
- Built in lightning protection
- Connectors "in line"
- Single AISG with 1 RET connector
- 1 device with 2 sub-units

Product Classification

Product Type 1-BTS:1-ANT (Uniplex) | Tower mounted amplifier

General Specifications

Color Gray

Modularity 2-Twin

Mounting Pole | Wall

Mounting Pipe Hardware Band clamps (2)

RF Connector Interface 4.3-10 Female

Dimensions

Height 280 mm | 11.024 in

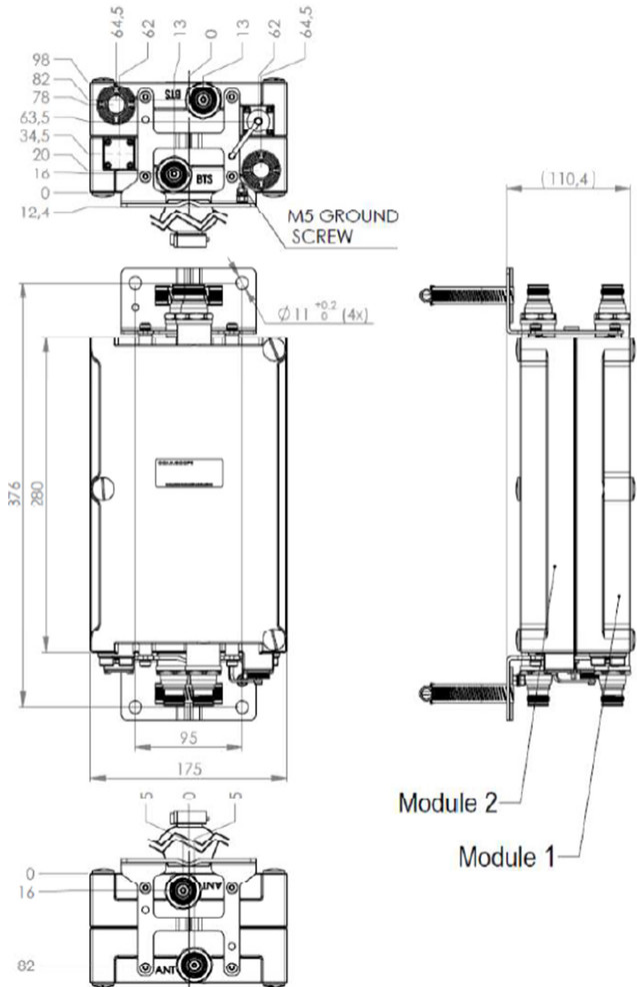
Width 175 mm | 6.89 in

Depth 98 mm | 3.858 in

Mounting Pipe Diameter Range 50–120 mm

E14R00P35

Outline Drawing



Electrical Specifications

License Band, Band Pass	SDL 1400
License Band, LNA	DCS 1800 IMT 2100 IMT 2600

Electrical Specifications, dc Power/Alarm

dc Switching/Redundancy	Yes
Lightning Surge Current	10 kA
Lightning Surge Current Waveform	8/20 waveform
Voltage	7–30 Vdc
Alarm Current, CWA Mode	190 mA \pm 15 mA

E14R00P35

Electrical Specifications, AISG

AISG Connector	8-pin DIN Female
AISG Connector Standard	IEC 60130-9
Protocol	AISG 2.0
Voltage, AISG Mode	10–30 Vdc

Electrical Specifications

Sub-module	1 2	1 2	1 2
Branch	1	1	1
Port Designation	ANT	ANT	ANT
License Band	SDL 1400, Band Pass	DCS 1800, LNA	IMT 2100, LNA
Return Loss - Bypass Mode, typical, dB		16	16

Electrical Specifications Rx (Uplink)

Frequency Range, MHz	1710–1785	1920–1980
Bandwidth, MHz	75	60
Gain, nominal, dB	12	12
Noise Figure, typical, dB	1.7	1.6
Output IP3, minimum, dBm	12	12
Return Loss, minimum, dB	18	18
Insertion Loss - Bypass Mode, typical, dB	2.5	2.3

Electrical Specifications Tx (Downlink)

Frequency Range, MHz	1805–1880	2110–2170
Bandwidth, MHz	60	60
Insertion Loss, typical, dB	0.3	0.3
Return Loss, minimum, dB	18	18
Input Power, RMS, maximum, W	200	200
Input Power, PEP, maximum, W	1000	1000
3rd Order PIM, typical, dBc	-162	-162
3rd Order PIM Test Method	Two +43 dBm carriers	Two +43 dBm carriers

Electrical Specifications, Band Pass

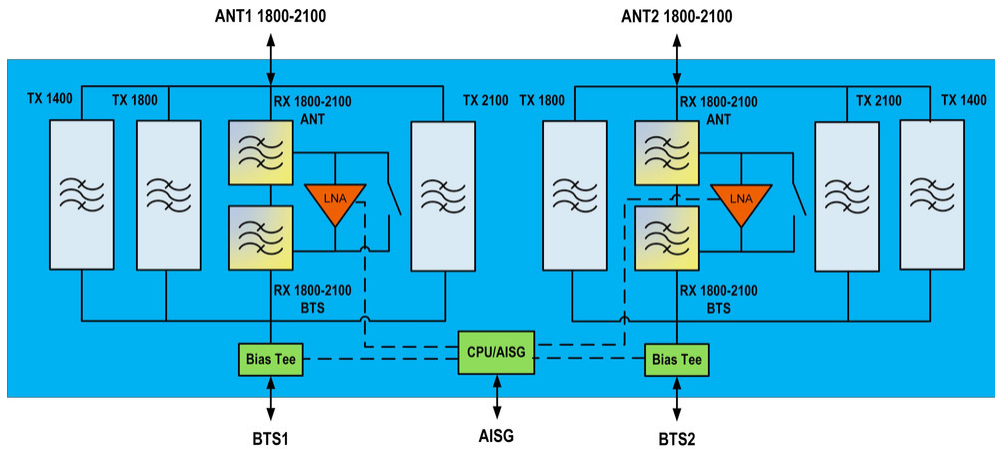
Frequency Range, MHz	1452–1492
Insertion Loss, typical, dB	0.35

E14R00P35

Return Loss, minimum, dB	18
Input Power, RMS, maximum, W	200
Input Power, PEP, maximum, W	100
3rd Order PIM, typical, dBc	-162
3rd Order PIM Test Method	Two +43 dBm carriers

E14R00P35

Block Diagram



Mechanical Specifications

Wind Speed, maximum 200 km/h (124 mph)

Environmental Specifications

Operating Temperature -40 °C to +65 °C (-40 °F to +149 °F)

Relative Humidity Up to 100%

Corrosion Test Method IEC 60068-2-11, 30 days

Ingress Protection Test Method IEC 60529:2001, IP67

Packaging and Weights

Included Mounting hardware

Volume 4.8 L

Weight, net 8 kg | 17.637 lb

Regulatory Compliance/Certifications

Agency	Classification
ISO 9001:2015	Designed, manufactured and/or distributed under this quality management system

* Footnotes

License Band, Band Pass License Bands that are to be passed through with no amplification

License Band, LNA License Bands that have RxUplink amplification