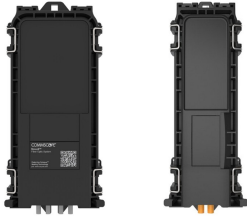


Base Product



NOVUX™ SRC Specialty Range Closures with gel sealing technology

The NOVUX Specialty Range Closures (SRCs) are a modern drop solution that's ideal for last-mile fiber network applications—both above and below ground. CommScope's advanced Octopus™ gel seal simplifies access and service and protects the closures from harsh conditions. We've designed the NOVUX SRCs to be ready for the field, and ready for your workforce. They feature factory installed hinges and a cover that opens from the bottom. The closures are fast and easy to access, thanks to CommScope's Octopus gel seal technology. A lead wire provides security. Octopus protects the SRCs from harsh environmental conditions and is extremely comfortable and resilient, even after numerous closure accesses.

The SRC is offered in two sizes:

SRC 50

Dimensions: 267 mm long x 87 mm wide x 49 mm high (with mounting tabs)
Port qty: 2 cables/ 1 per port or 4 cables/ 2 per port while using dual layer cable retention
Port size: 1-8mm round, 0.04 inch – 0.32 inch or 2 cables x 4.5mm flat (gel), 0.32 inch x 0.18 inch
Splice capacity (SMOUV 30, 45, ANT type): 12 (splice)
Splice capacity (patch version) (SMOUV 30, 45, ANT type): 6 (splice)
Adapters: 2x SC/APC or 1x LC/ APC Duplex
Splitter qty: 0

SRC 100

Dimensions: 267 mm long x 117 mm wide x 49 mm high (with mounting tabs)
Port qty: 4 cables / 1 per port or 8 cables/ 2 per port with dual layer cable retention
Port size: 1-8mm round, 0.04 inch – 0.32 inch or 4 cables x 4.5mm flat (gel), 0.32 inch x 0.18 inch
Splice capacity (SMOUV 30, 45, ANT type): 48 (splice)
Splice capacity (patch version) (SMOUV 30, 45, ANT type): 12 (splice)
Adapters: 2x SC/APC or 2x LC/ APC Duplex
Splitter qty: 1

Key features of the NOVUX closures:

- NOVUX is the industry's most flexible FTTX platform. It takes modularity to new levels with technologies that span the end-to-fiber network from the trunk to the drop. That makes it the go-to FTTX platform for virtually every application today and in the future.
- NOVUX was designed from the ground up to help service providers gain access to the supplies they need –when and where they need them. And with the power of CommScope's global supply chain, service providers can trust that they'll be able to tackle even the largest FTTX deployments.
- With NOVUX, ordering, configuration, and training are all easier on the service provider's staff. With common components and installation procedures, it helps overcome craft labor shortages and reduce field errors, too.

Product Classification

Product Type

Single-ended, rectangular fiber closure

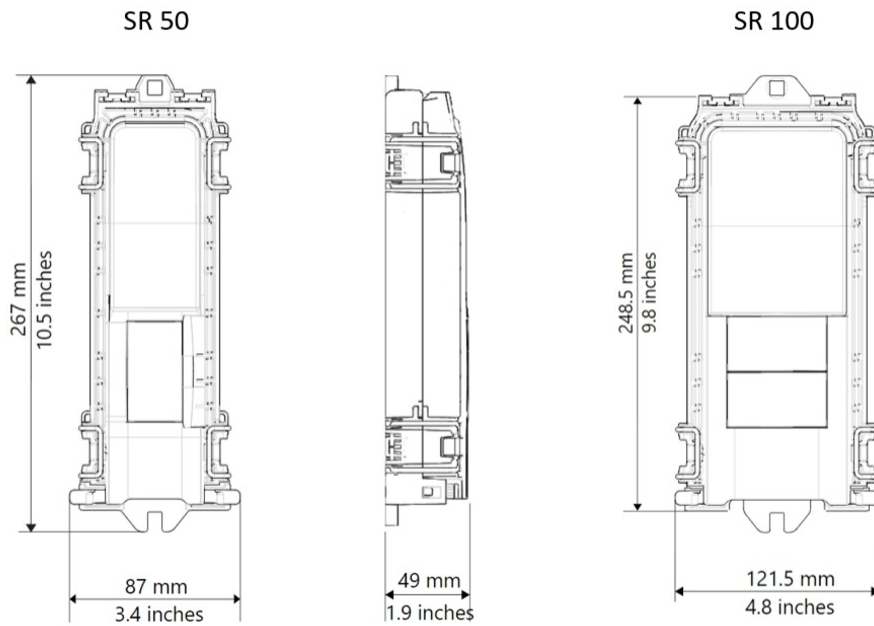
SRC

Product Brand	NOVUX™
Product Series	SRC100 SRC50

General Specifications

Network Area Type	Drop
Splice Tray Included, quantity	1

Dimension Drawing



Port Configuration

	SRC 100	SRC 50
Sealing level	IP68 2-meter water head, 20kPa	IP68 2-meter water head, 20kPa
Application	Above & below ground	Above & below ground
Connectivity technology	Splice/Patch	Splice/Patch
Splice capacity (SMOUV 30, 45, ANT type)	48 (splice)	12 (splice)
Splice capacity (patch version) (SMOUV 30, 45, ANT type)	12 (splice)	6 (splice)
Cable type	Round, flat drop cables or blown fiber tubes	Round, flat drop cables or blown fiber tubes
Adapters	2x SC/APC or 2x LC/ APC Duplex	2x SC/APC or 1x LC/ APC Duplex
Splitter qty	1 splitter	No splitter
Max cable size	Up to 8mm	Up to 8mm
Port qty	4 cables / 1 per port or 8 cables/ 2 per port with dual layer cable retention	2 cables/ 1 per port or 4 cables/ 2 per port while using dual layer cable retention
Port size	1-8mm round, 0.04 inch – 0.32 inch or 4 cables x 4.5mm flat (gel), 0.32 inch x 0.18 inch	1-8mm round, 0.04 inch – 0.32 inch or 2 cables x 4.5mm flat (gel), 0.32 inch x 0.18 inch
Length x Width x Height Indicative	267 x 117 x 49 mm (with mounting tabs)	267 x 87 x 49 mm (with mounting tabs)
Features	Integrated—pole and on wall / Identification with RFID possibility	Integrated—pole and on wall / Identification with RFID possibility
Security	Led wire through an eye hole	Led wire through an eye hole
Demarcation	N/A	N/A
Storage uncut fiber	N/A	N/A
Valve	Air valve option using one of the ports	N/A
Tested	According to IEC 60529	According to IEC 60529
Color / material	Black RAL9005 or Gray RAL7035	Black RAL9005 or Gray RAL7035
Orientation	Butt	Butt

Regulatory Compliance/Certifications

Agency

ISO 9001:2015

Classification

Designed, manufactured and/or distributed under this quality management system