

# RDT



## RapidFiber® Indoor/Outdoor Mini Rapid FDT Distribution Terminal

The indoor mini Rapid Fiber distribution terminal (RDT) is compact, high density, fiber box solution, designed to speed installation requirements on the customer premises. Utilizing the RapidReel fiber cable spool, the mini RDT deploys up to 650' (198 m) of 12-fiber 3 mm plenum cable or 600' (183m) of 12-fiber 3.6mm indoor/outdoor cable. The multifiber cable terminates to a multifiber push-on connector (MPO), which ensures fast cable routing and handling by technicians. For service turn-up, the mini RDT features 12- SC/APC adapter ports for fast, plug-and-play drop cable connections. Incoming drops with a diameter up to 5mm is accepted.

The mini RDT is a cost-efficient system for deploying and managing fiber networks within small to mid-sized multiple dwelling unit (MDU) and multiple tenant unit (MTU) environments.

### Features:

- Compact design: 7.9 x 5.5 x 2.4 in (200 x 140 x 60 mm)
- RapidReel fiber cable spool deploys up to 100' (30 m) of stubbed cable
- 12-fiber cable is factory terminated with a low-loss MPO connector
- Equipped with 4, 8 or 12 SC/APC adapter ports
- Plastic construction – no grounding required
- Removable cover and adapter housing
- Screw mounts to a wall or flat surface
- Security screw holds cover in place
- Flexible cable routing: Distribution cable can exit from bottom or side of unit
- Splitter option allows construction of a distributed network architecture

### Benefits:

- Cost Savings: RapidReel cable spool reduces upfront deployment costs by eliminating site survey inspections, reducing labor hours and streamlining cable requirements
- Reduced Labor: Preconnectorized plug-and-play solution eliminates splice labor requirements and speeds network construction
- Easy Access: Technician friendly, the mini RDT provides easy access to connectors for service and maintenance
- Space Savings: Compact MPO connector design and multi-fiber cable is ideal for high density intrafacility applications. Excess fiber is stored within unit, no additional enclosures are required

## Product Classification

<b>Regional Availability</b>	Asia   Australia/New Zealand   EMEA   Latin America   North America
<b>Product Type</b>	Fiber distribution terminal
<b>Product Series</b>	Mini-RDT

# RDT

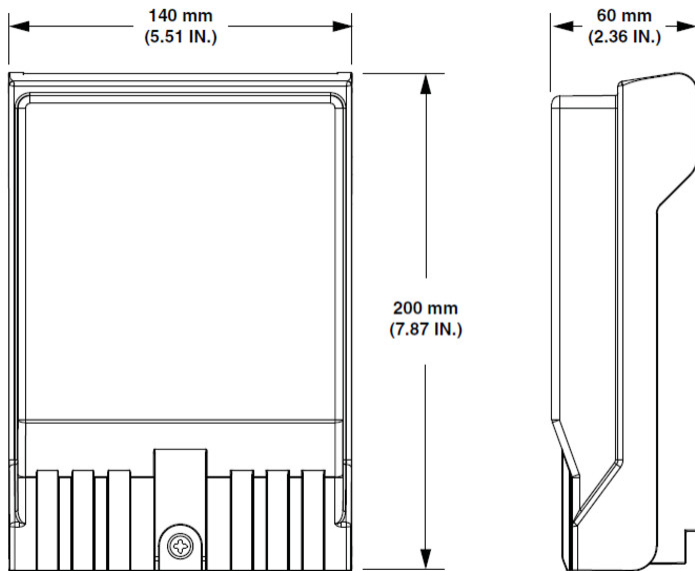
## General Specifications

<b>Cable Entry Location</b>	Bottom left   Bottom right
<b>Color</b>	Gray
<b>Front Cover Type</b>	Hinged at top
<b>Interface</b>	LC/APC   LC/UPC   SC/APC   SC/UPC
<b>Interface, stub</b>	HMFOC   LC/UPC   MPO   No connector   SC/APC   SC/UPC
<b>Lock Type</b>	Security screw
<b>Mounting</b>	Wall

## Dimensions

<b>Height</b>	200 mm   7.874 in
<b>Width</b>	140 mm   5.512 in
<b>Depth</b>	60 mm   2.362 in

## Dimension Drawing



## Ordering Tree

# RDT

## RDT - S M XX X O O X XXX X X

### Enclosure type

M	12 Fiber plastic
---	------------------

### Cable count

04	4
08	8
12	12

### Connector type

J	SC/APC
K	LC/U/PC
L	LC/APC
N	SC/U/PC

### Cable type

D	Indoor/outdoor 3.6mm black
P	3mm loose tube ivory plenum (zipcord for 24 fibers)

### Stubbed end configuration

A	MPO connector
O	No connector

### Fanout

1	SC/U/PC
2	SC/APC
3	LC/U/PC
4	LC/APC

### Enclosure end configuration

9	900µm - standard
---	------------------

### Cable Length (Plenum)

030	30 meters (100')
061	61 meters (200')
092	92 meters (300')
122	122 meters (400')
152	152 meters (500')
183	183 meters (600')

### Cable Length (Indoor/Outdoor)

015	15 meters (50')
030	30 meters (100')
045	45 meters (150')
061	61 meters (200')
076	76 meters (250')
092	92 meters (300')
107	107 meters (350')
122	122 meters (400')
137	137 meters (450')
152	152 meters (500')
168	168 meters (550')
183	183 meters (600')
198	198 meters (650')

## Environmental Specifications

**Environmental Space** Indoor | Outdoor

**Qualification Standards** Telcordia GR-1435-CORE | Telcordia GR-3123-CORE | Telcordia GR-326-CORE

## Packaging and Weights

**Packaging quantity** 1

**Packaging Type** Box | Carton