

## RF Connectivity Products Amplifier Installation Guide

## Table of Contents

### Standard Installation

SVA15PRSN Subscriber Amplifier .....	2
SVA15PRSM Subscriber Amplifier .....	3
SVA15PRSMS Subscriber Amplifier .....	4
SVA152PRSM Subscriber Amplifier .....	5
SVA154PRS Subscriber Amplifier .....	6
SVA158PRS Subscriber Amplifier .....	7
SVA10RPFS Subscriber Amplifier .....	8

### Passive VoIP Installation

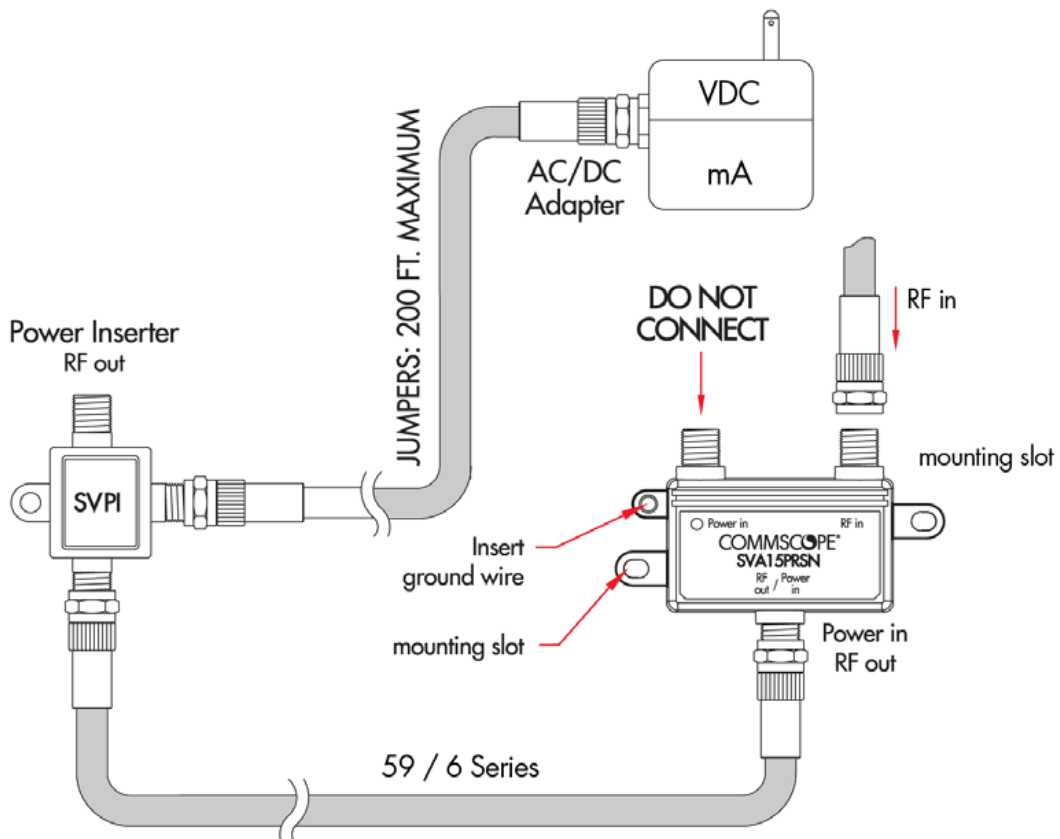
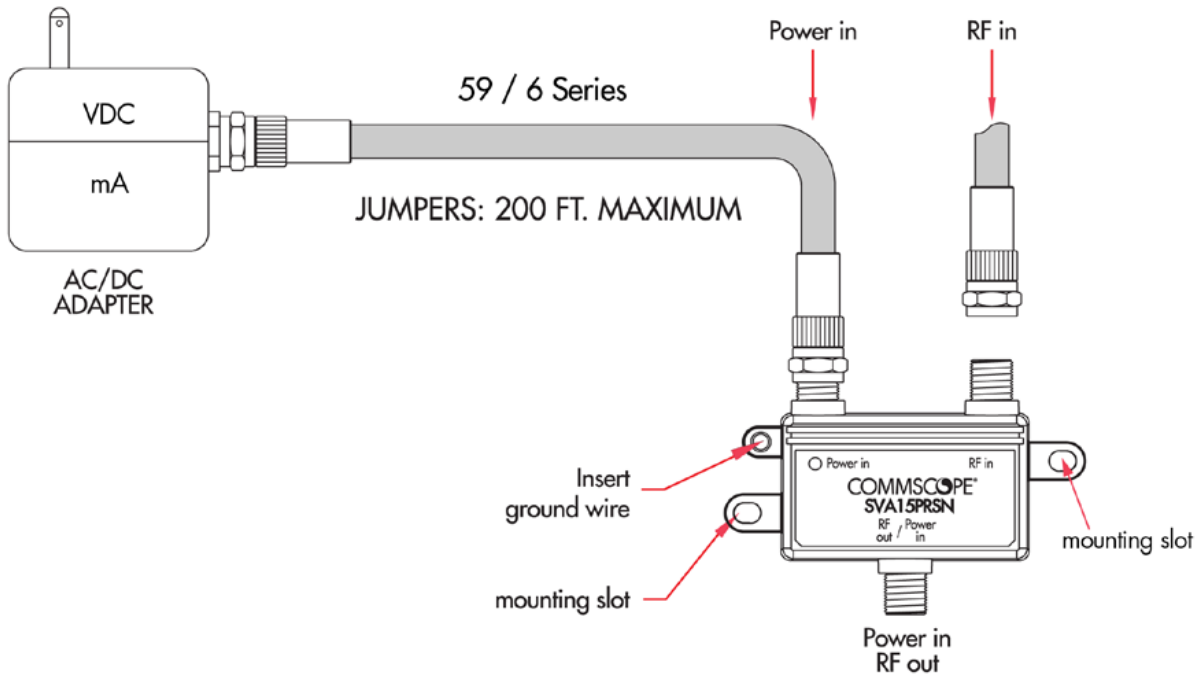
SVA152PRSVPM Subscriber Passive VoIP Amplifier .....	9
SVA154PRSVPM Subscriber Passive VoIP Amplifier .....	10
SVA15158AFRSVP Subscriber Passive VoIP Amplifier .....	11

### All Ports Down Installation

CSAPDU5VP/CSAPDUPR5VP Amplifier .....	12
CSAPDU9VP/CSAPDUPR9VP Amplifier .....	13

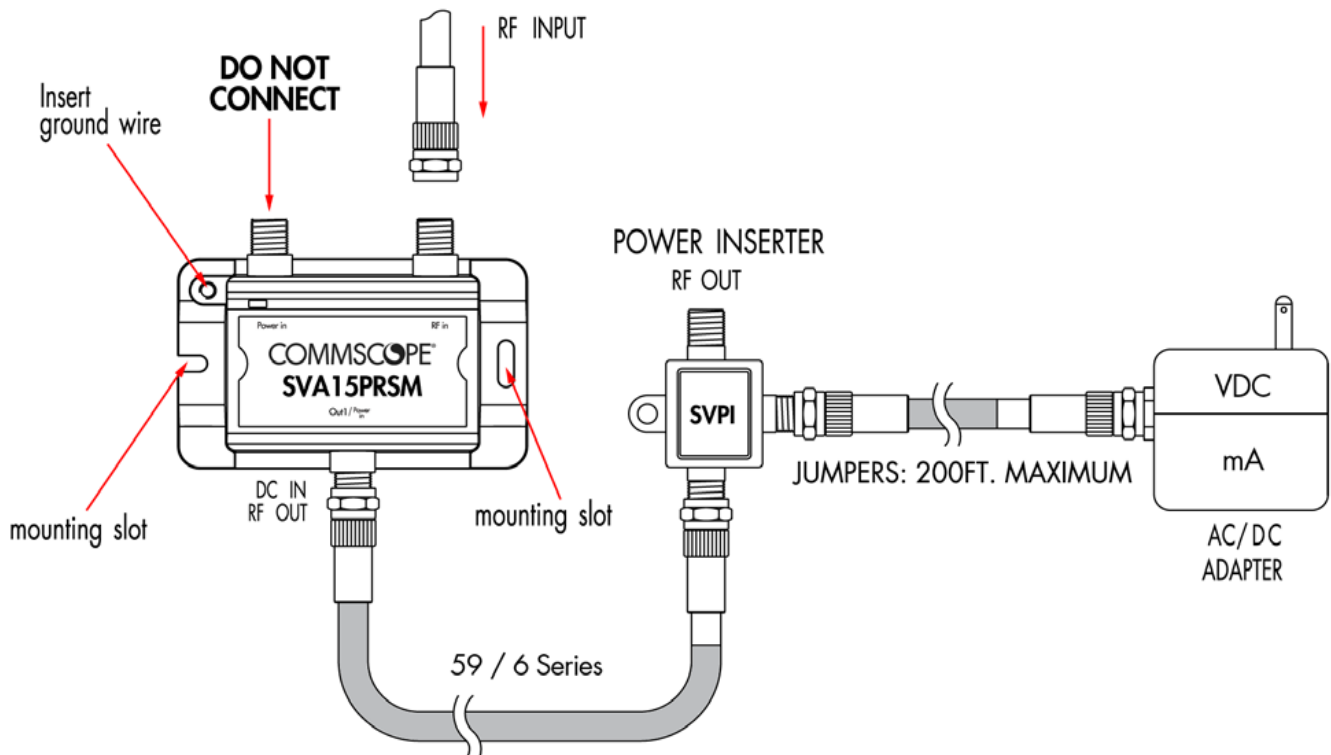
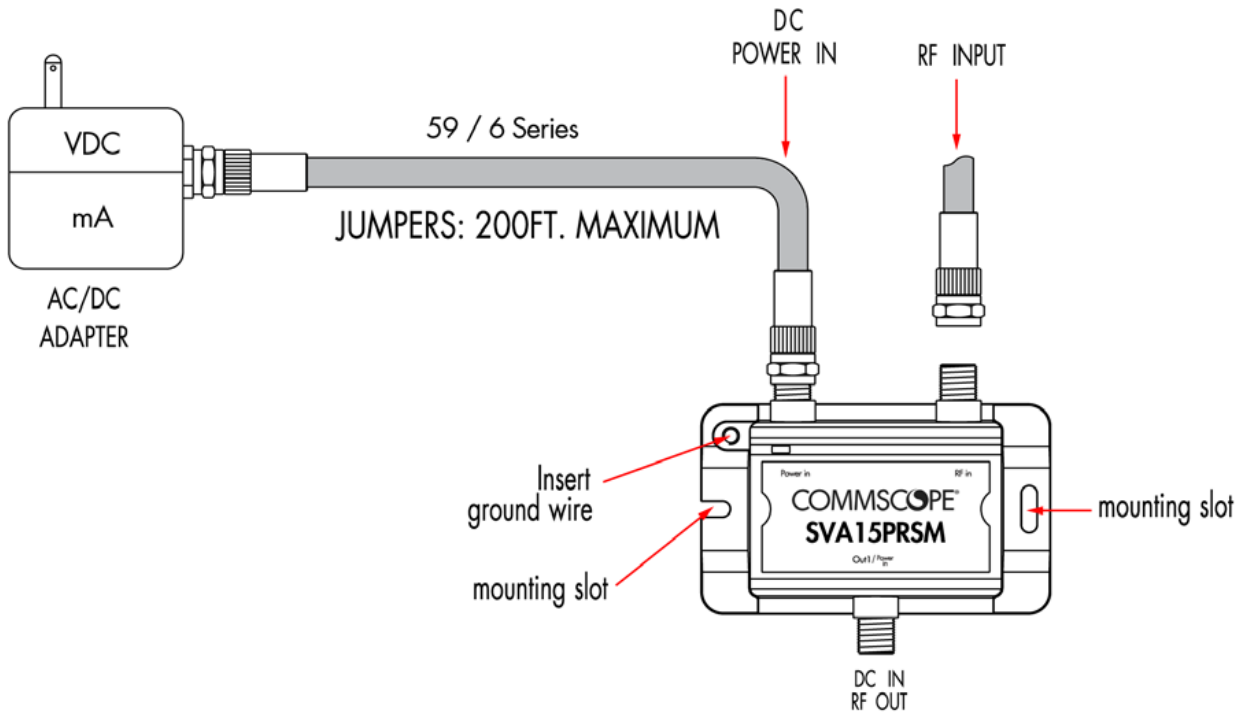
## Installation Instructions

(As seen on amplifier package material)



## Installation Instructions

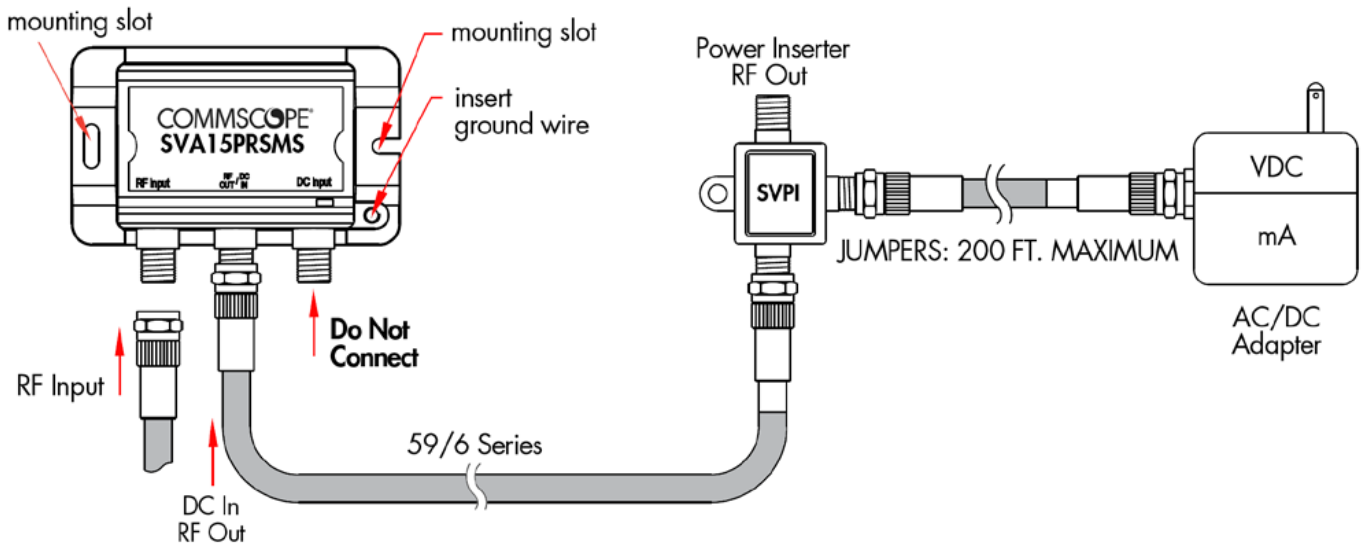
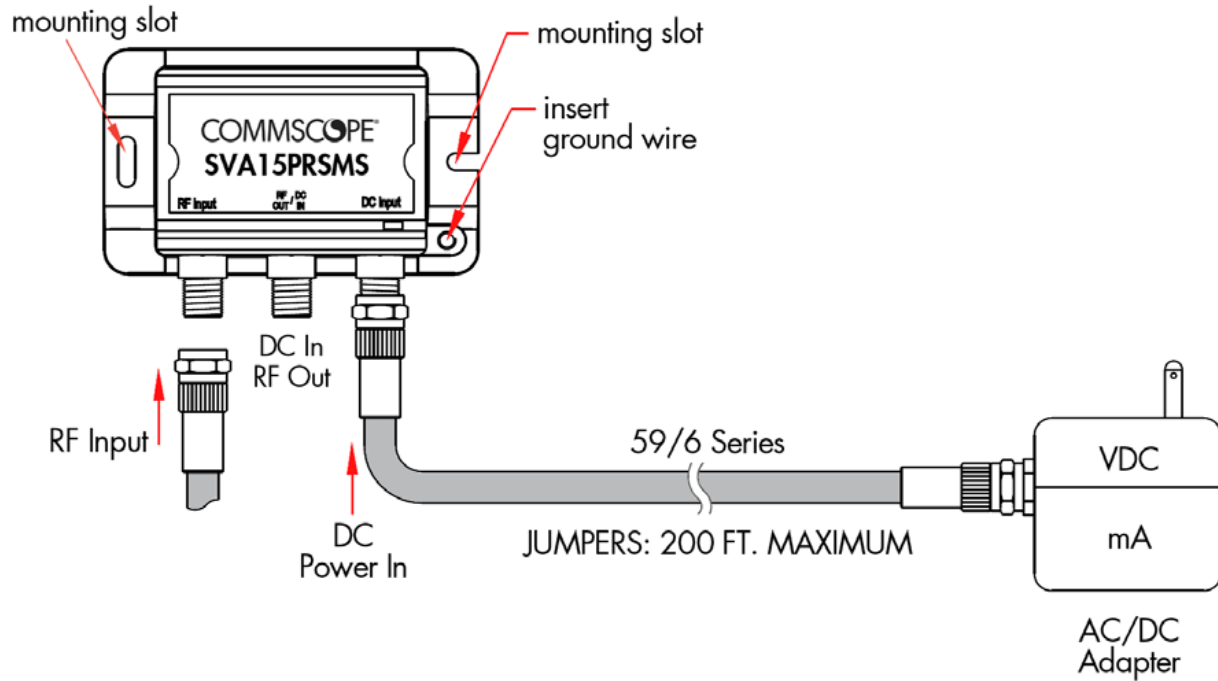
(As seen on amplifier package material)



NOTE: Please follow standard recommended cable connectorization and installation practices.

## Installation Instructions

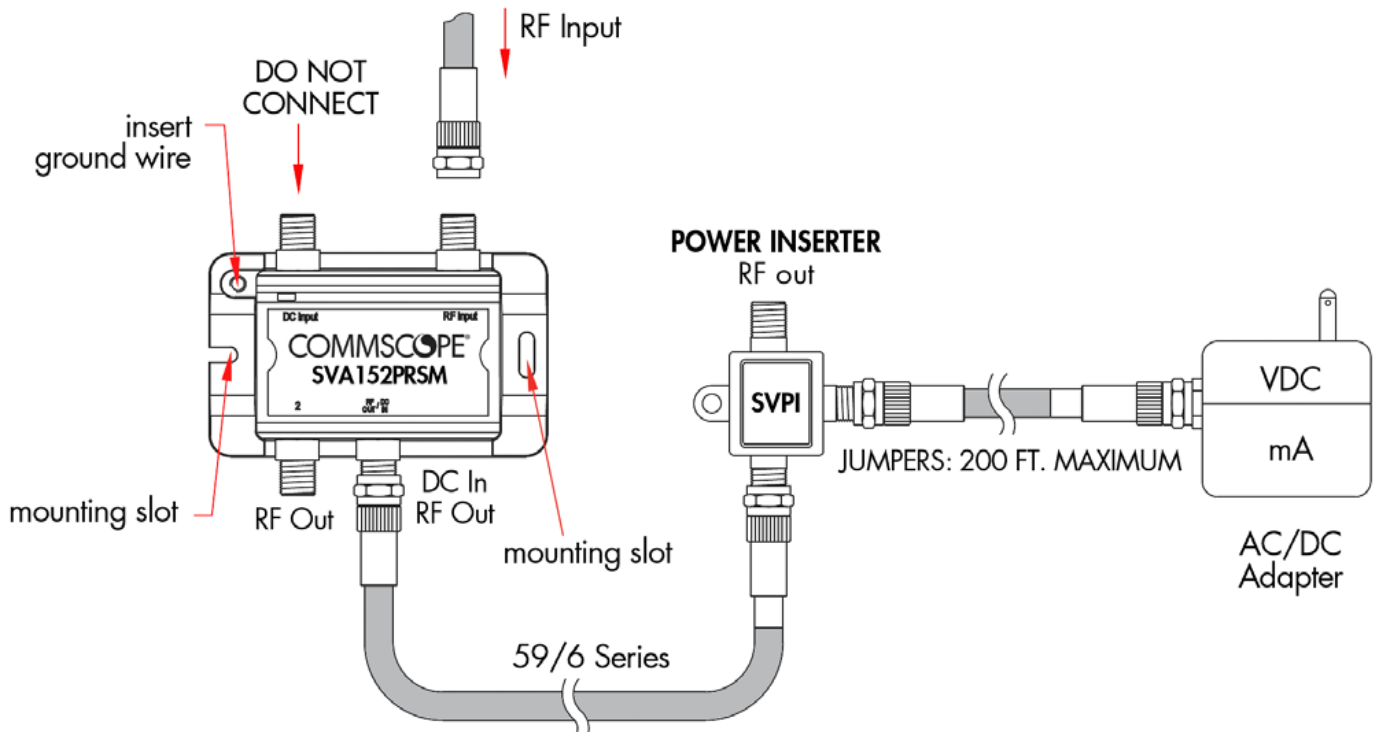
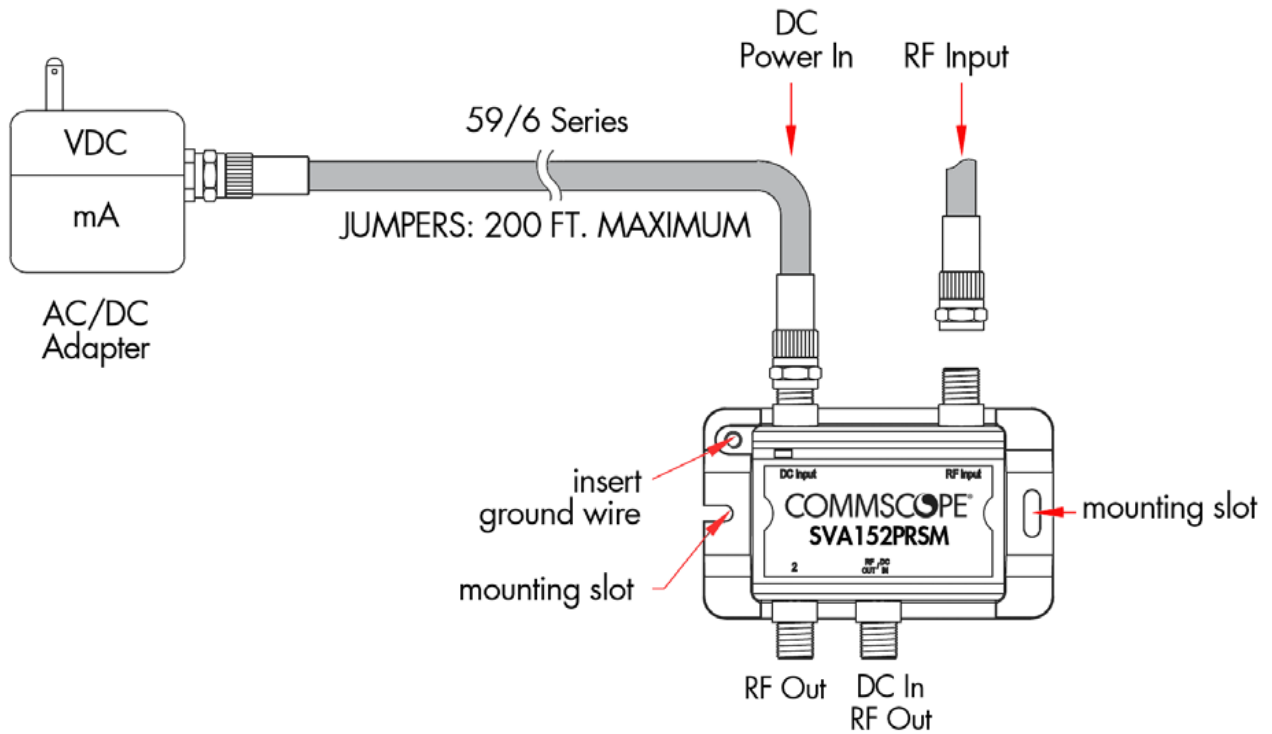
(As seen on amplifier package material)



NOTE: Please follow standard recommended cable connectorization and installation practices.

## Installation Instructions

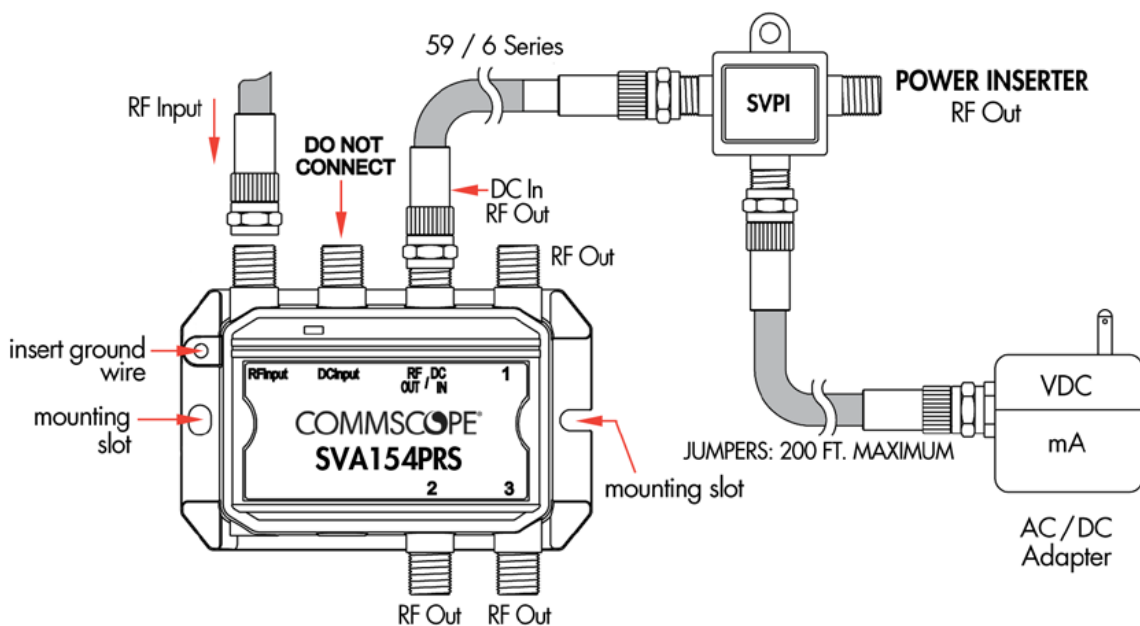
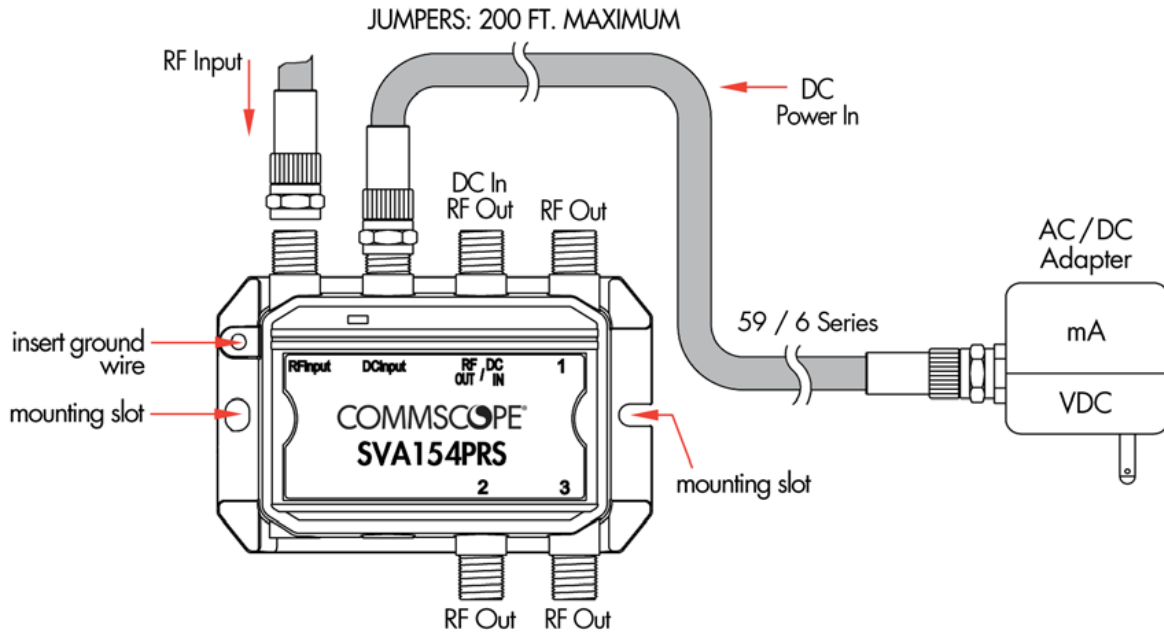
(As seen on amplifier package material)



NOTE: Please follow standard recommended cable connectorization and installation practices.

## Installation Instructions

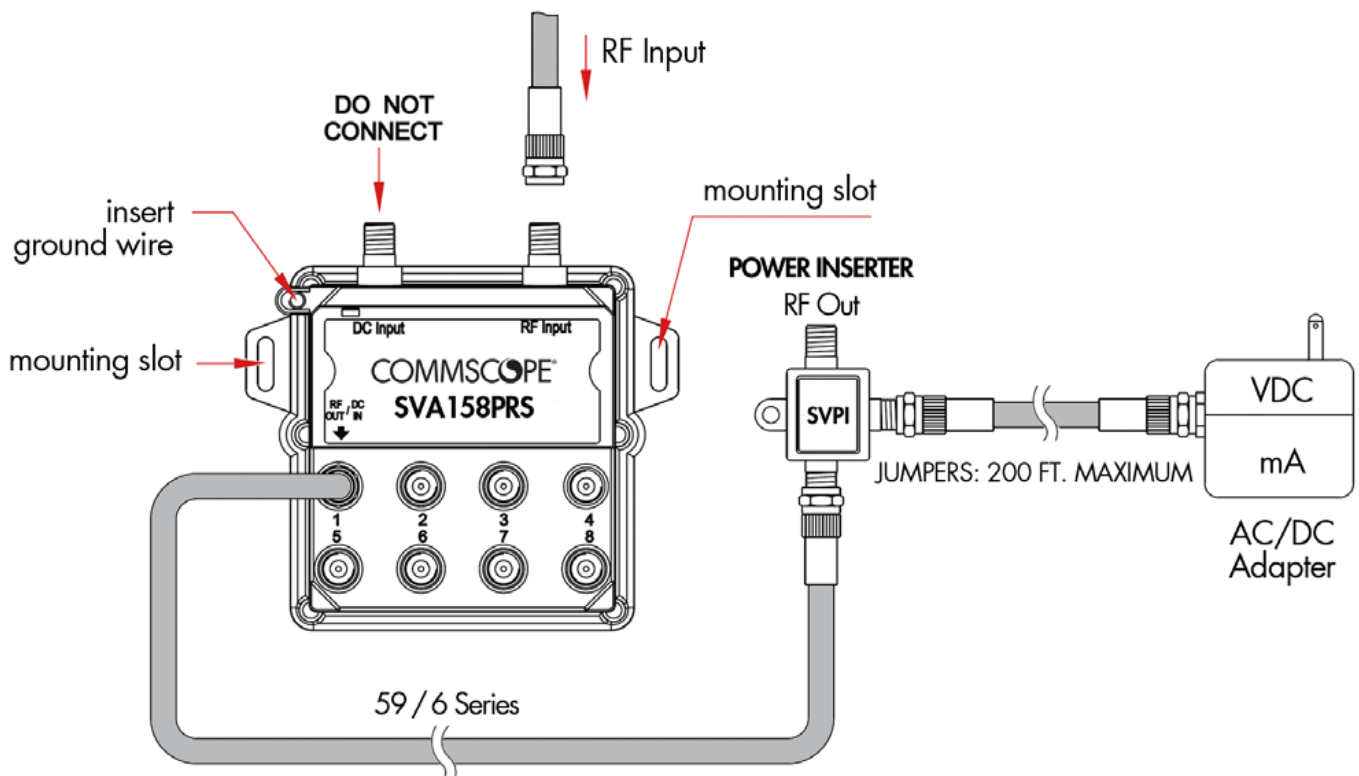
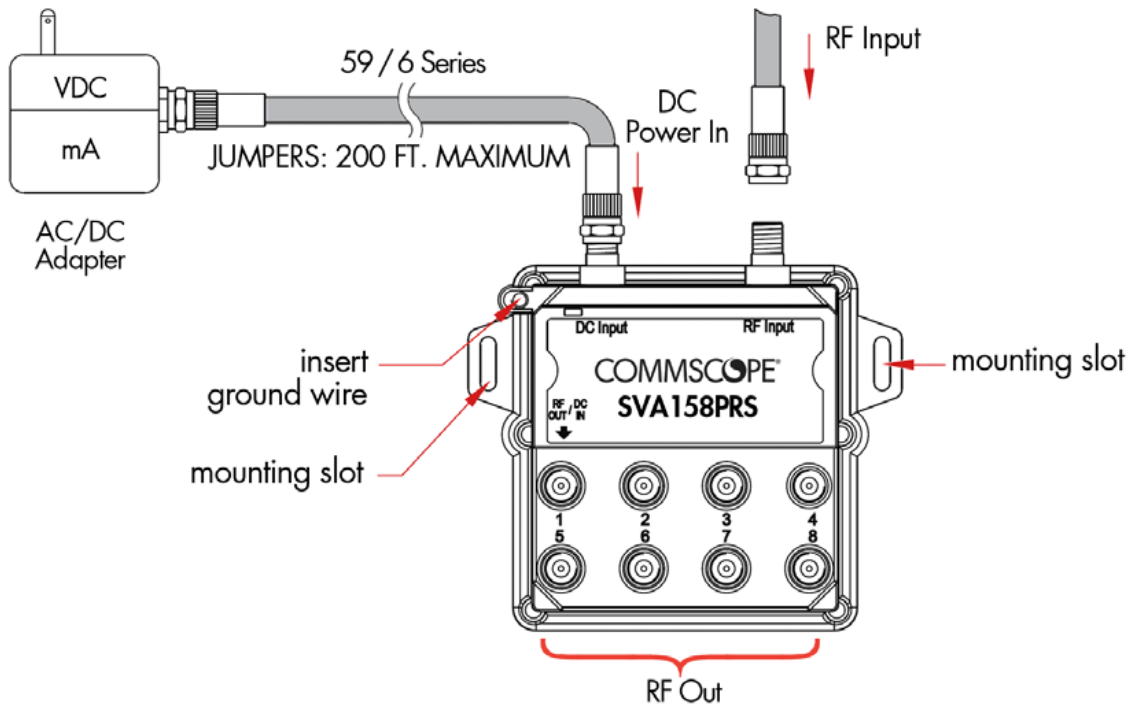
(As seen on amplifier package material)



NOTE: Please follow standard recommended cable connectorization and installation practices.

## Installation Instructions

(As seen on amplifier package material)

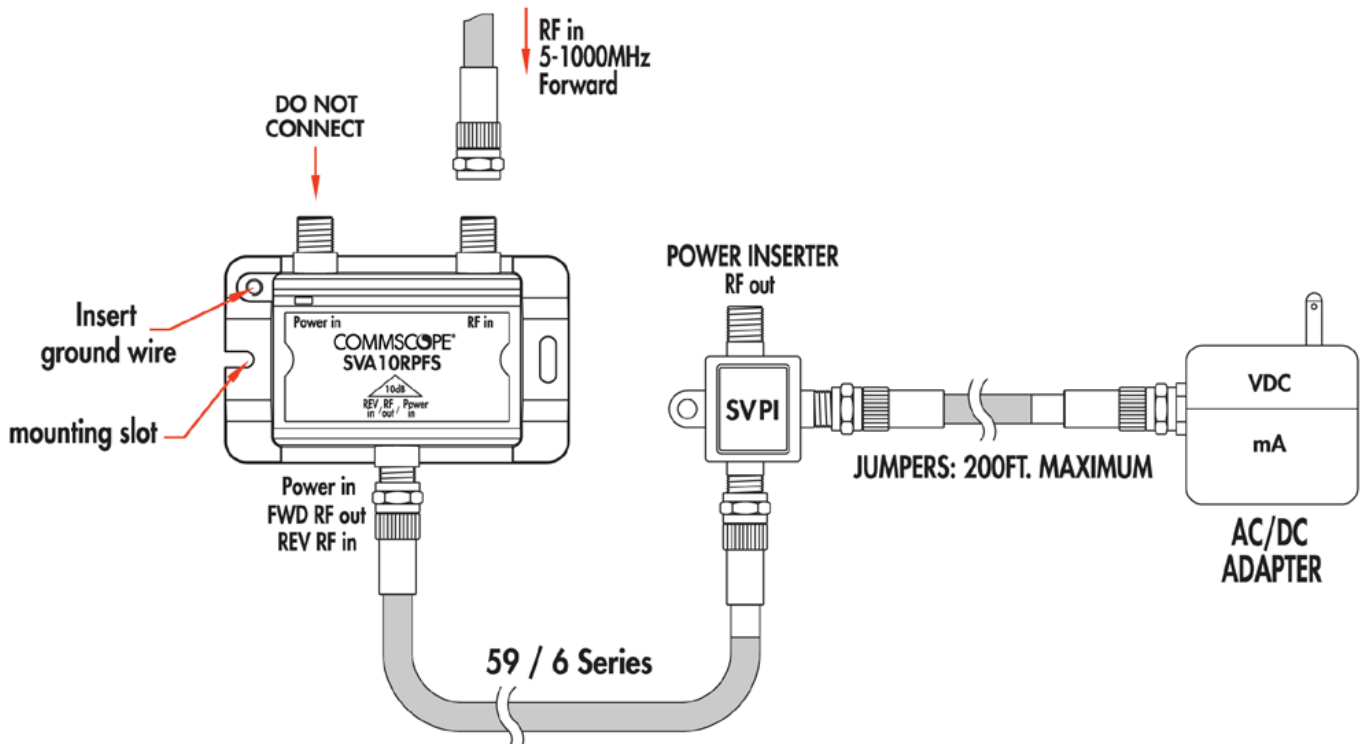
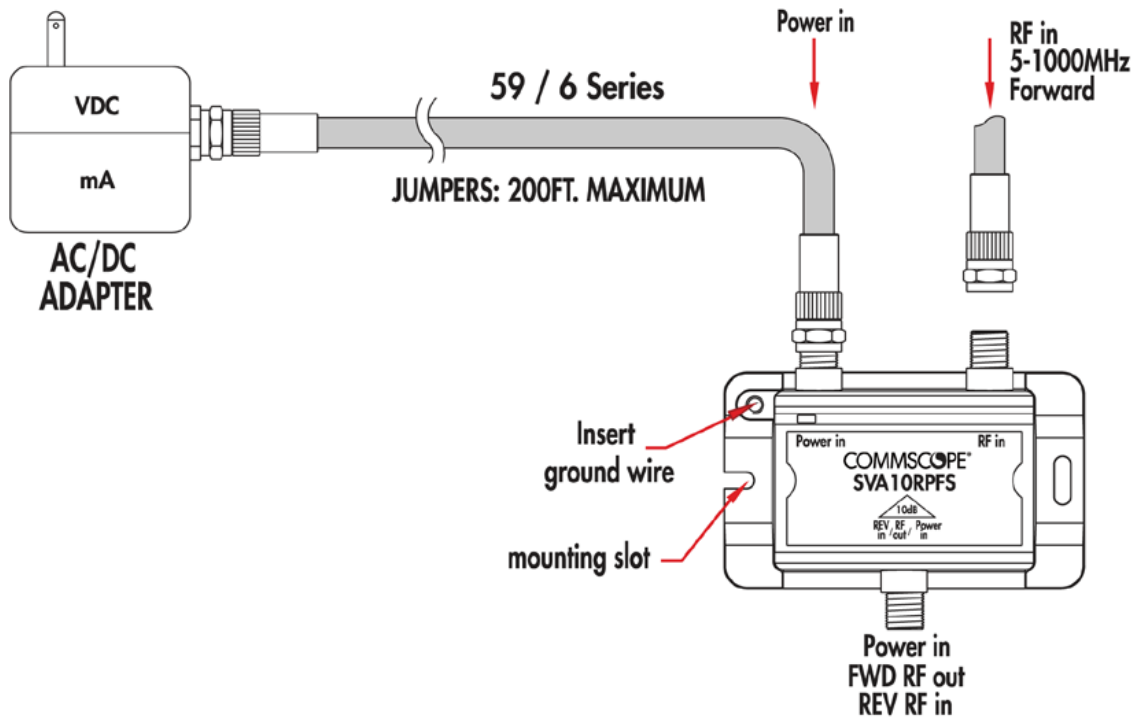


NOTE: Please follow standard recommended cable connectorization and installation practices.

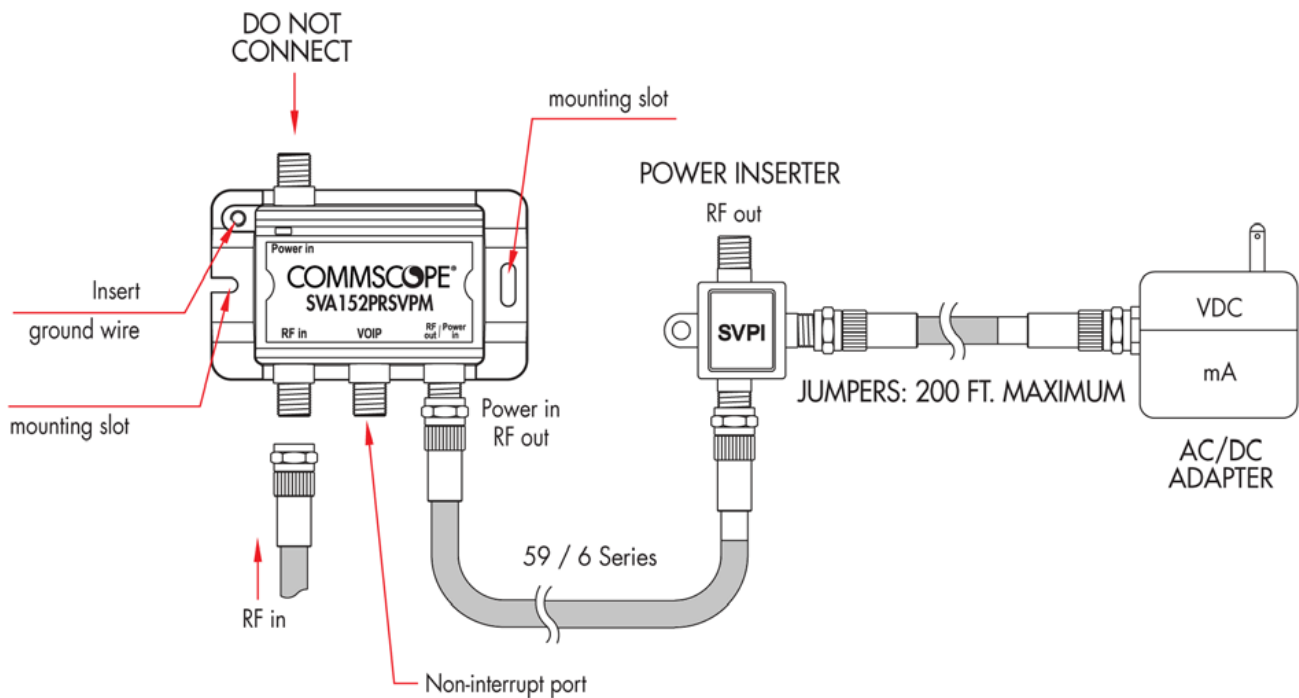
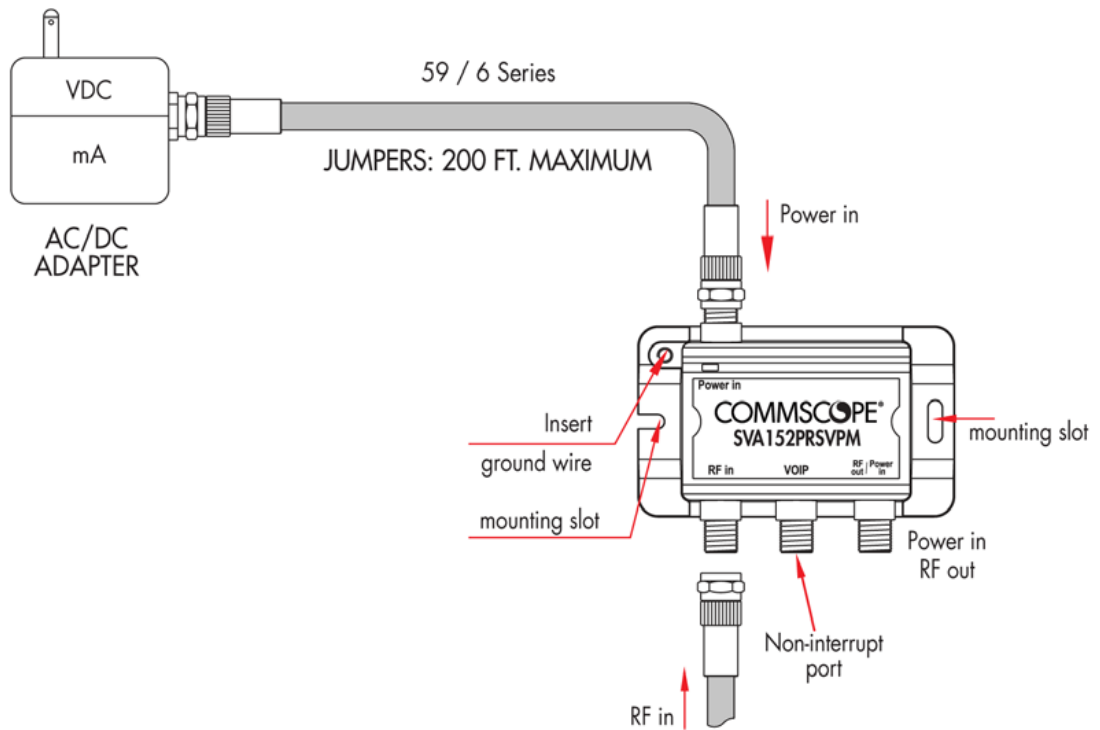


## Installation Instructions

(As seen on amplifier package material)

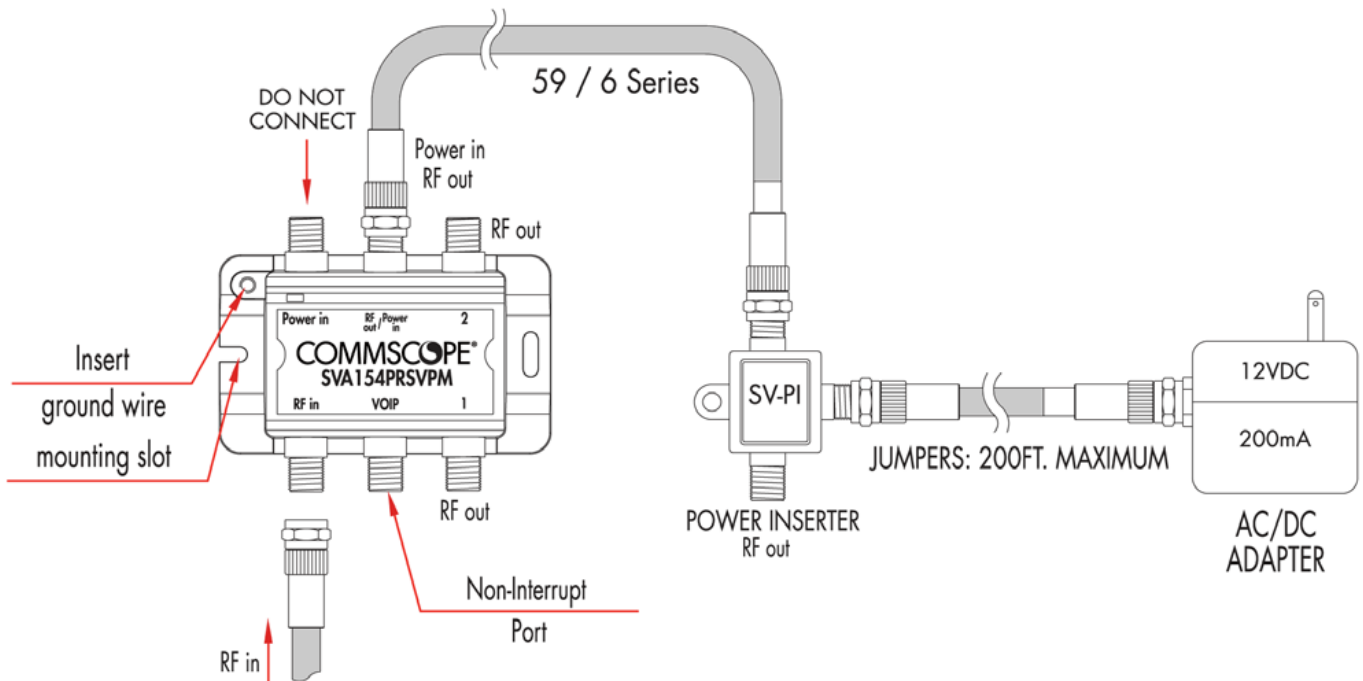
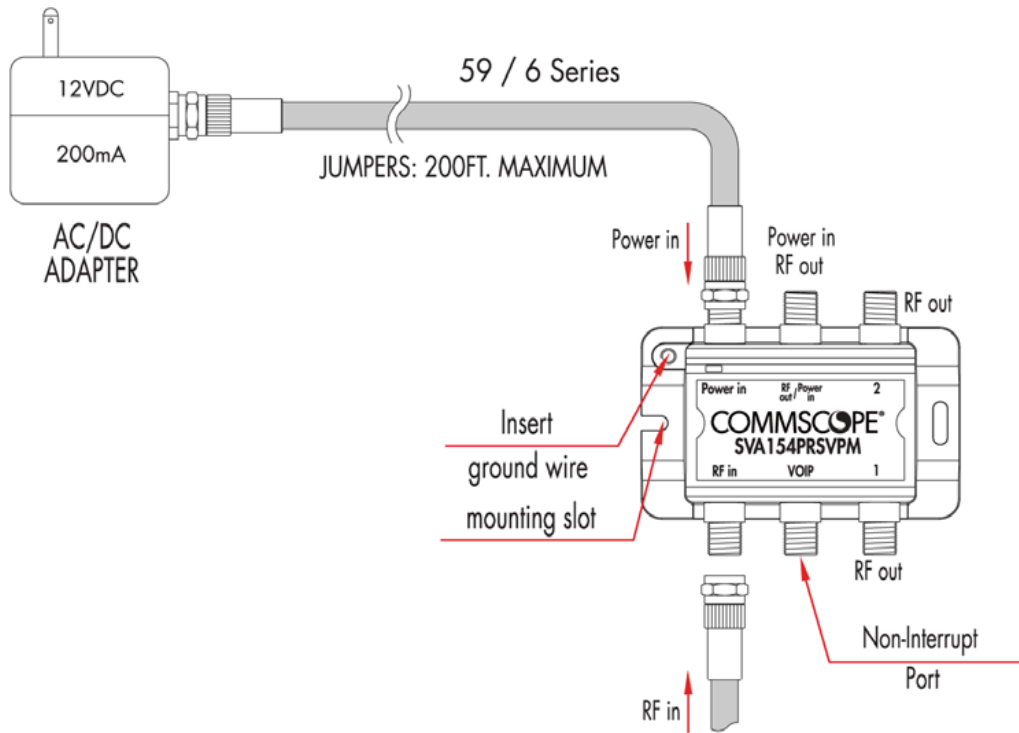


## Passive VoIP Installation Instructions (As seen on amplifier package material)



NOTE: Please follow standard recommended cable connectorization and installation practices.

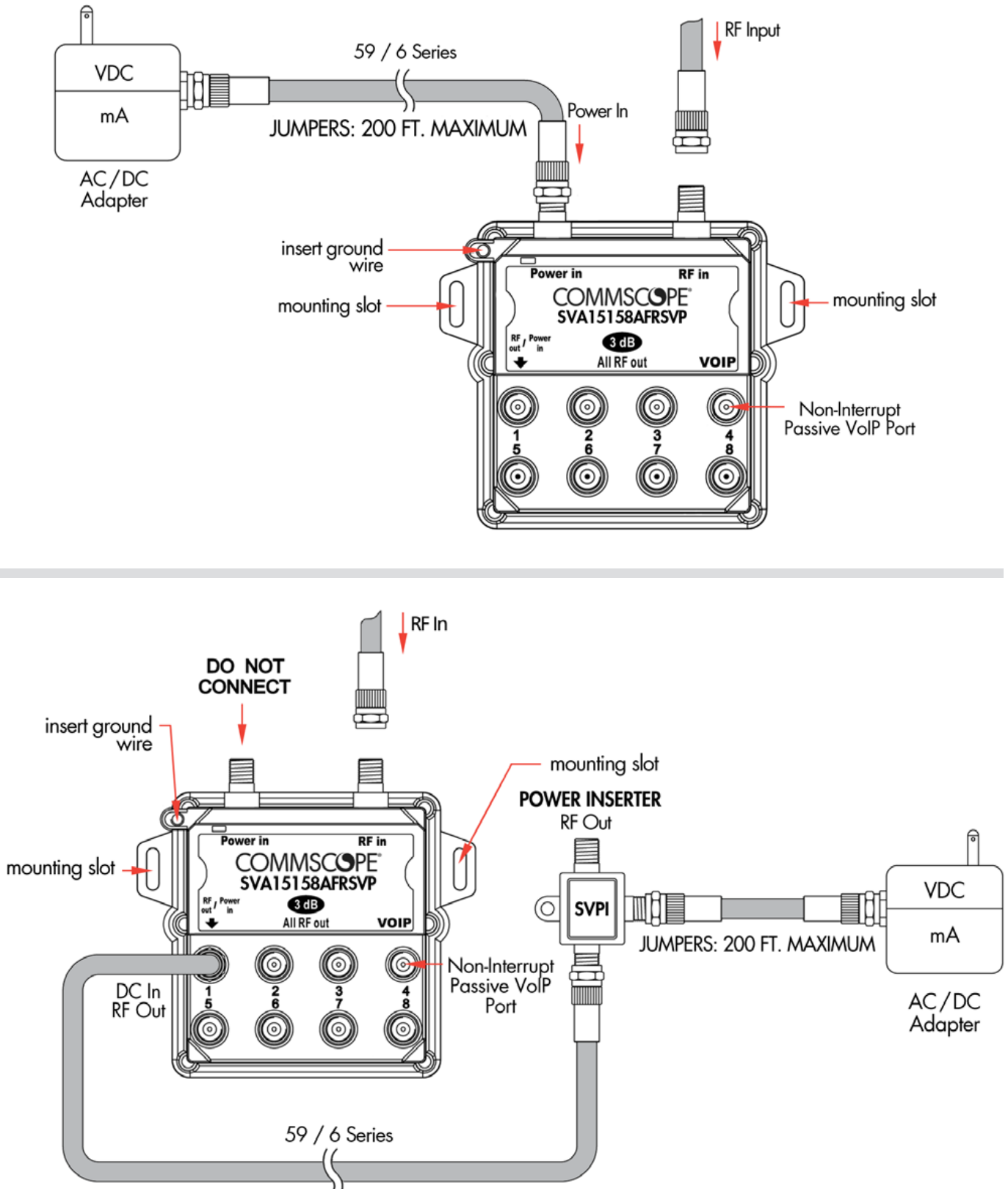
## Passive VoIP Installation Instructions (As seen on amplifier package material)



NOTE: Please follow standard recommended cable connectorization and installation practices.

## Passive VoIP Installation Instructions

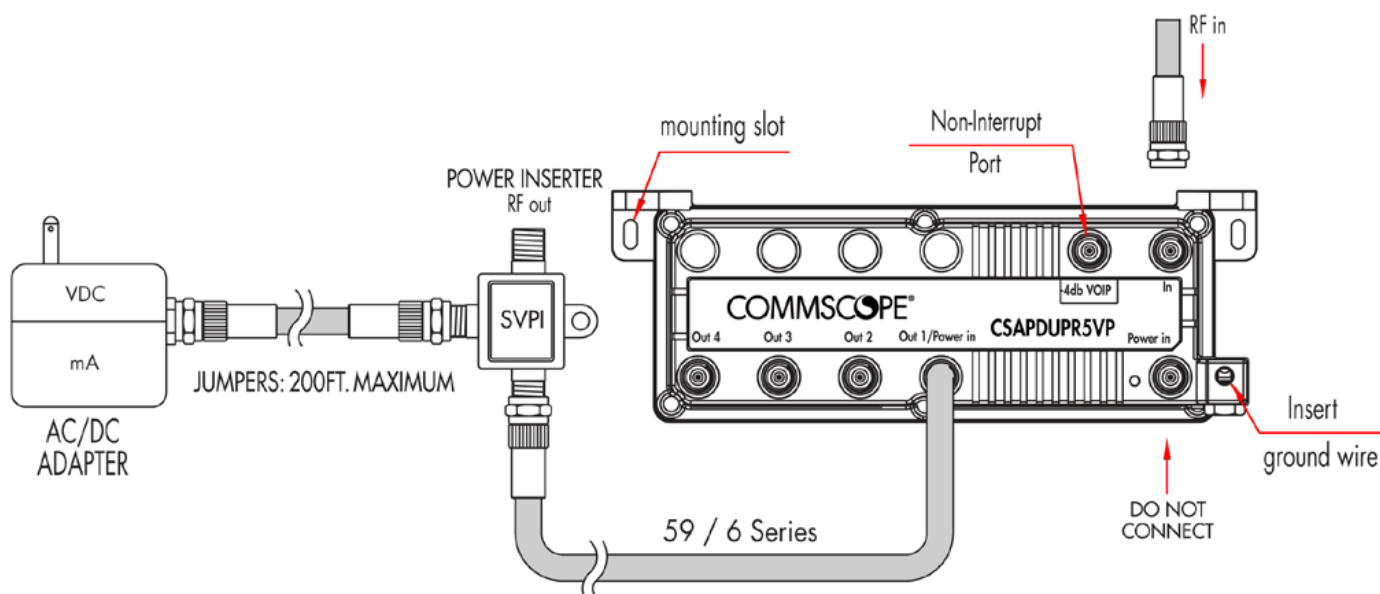
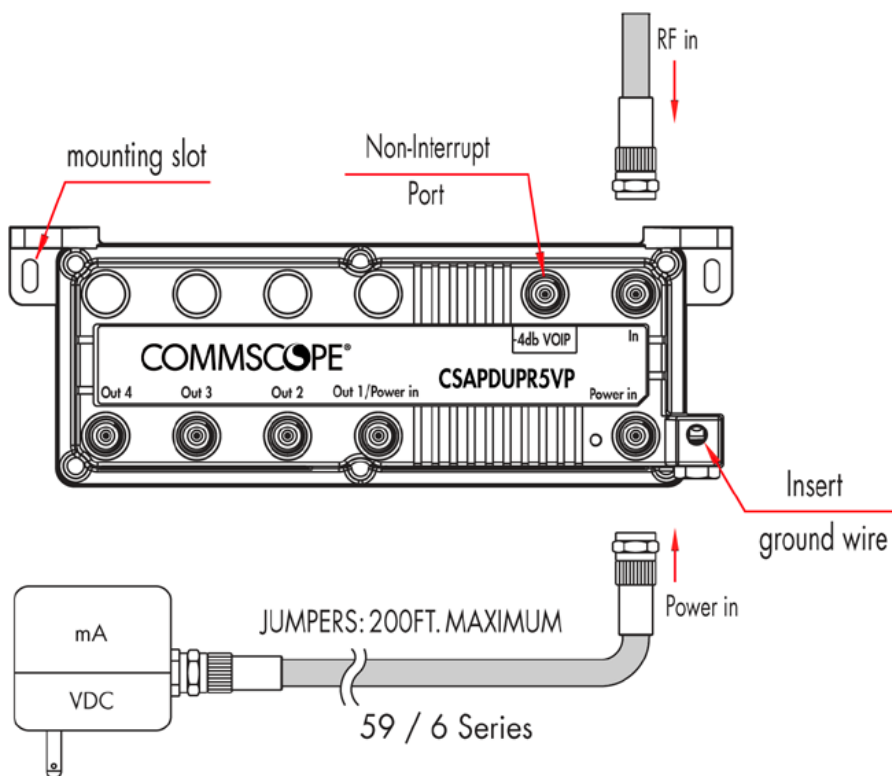
(As seen on amplifier package material)



NOTE: Please follow standard recommended cable connectorization and installation practices.

All Ports Down Amplifier Installation Instructions

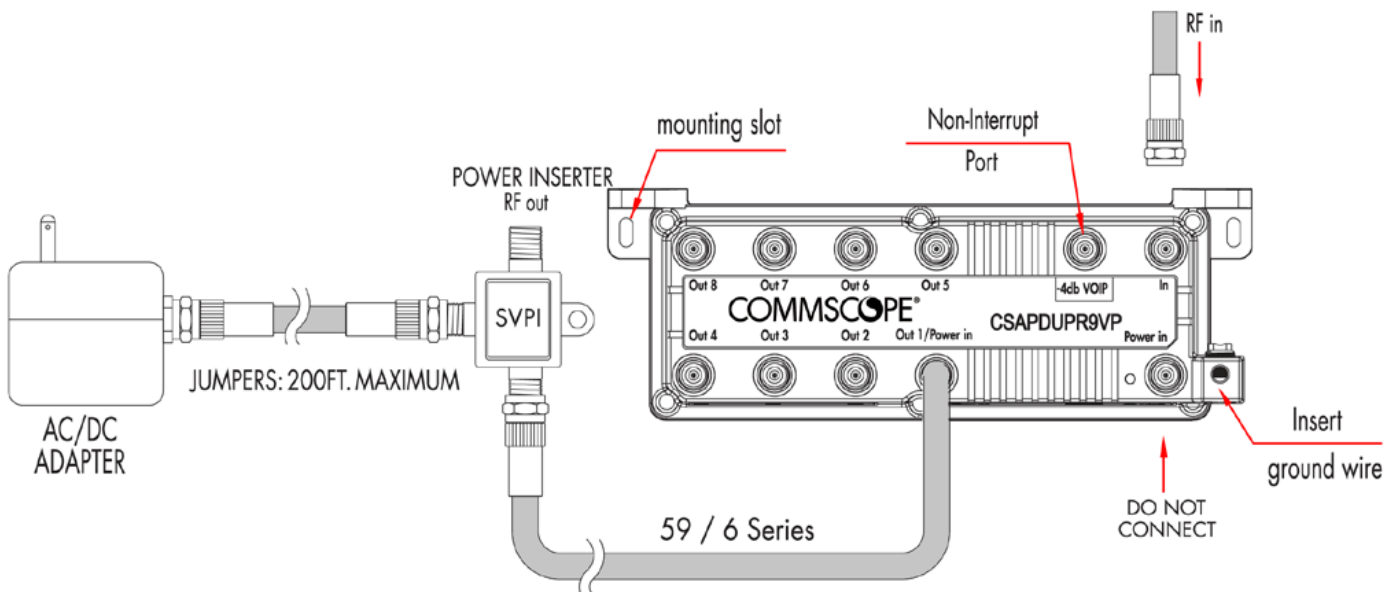
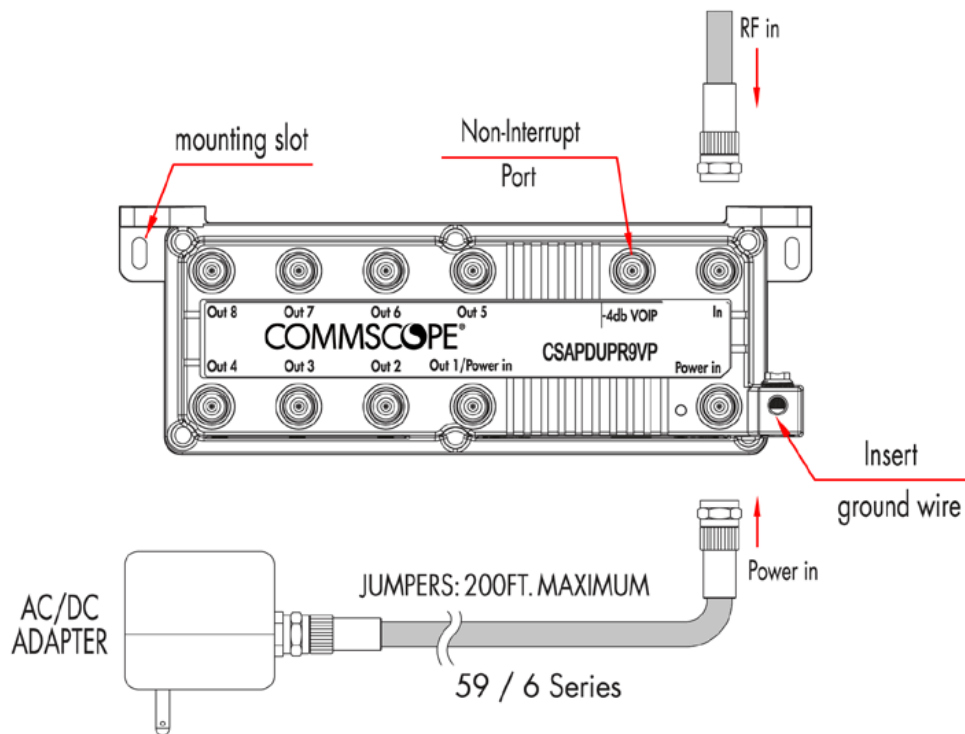
(As seen on amplifier package material)



NOTE: Please follow standard recommended cable connectorization and installation practices.

## All Ports Down Amplifier Installation Instructions

(As seen on amplifier package material)



NOTE: Please follow standard recommended cable connectorization and installation practices.



[www.commscope.com](http://www.commscope.com)

Visit our website or contact your local Commscope representative for more information.

©2012 Commscope, Inc. All rights reserved. • 07.12

All trademarks identified by ® or ™ are registered trademarks or trademarks, respectively, of Commscope, Inc.  
This document is for planning purposes only and is not intended to modify or supplement any specifications or warranties relating to Commscope products or services.