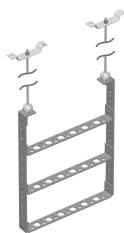


# AT-K306-U

---



Arrestor Trapeze Kit for 7-16 DIN, type N, or bolt-grounded surge arrestors, 3-tier, 6-hole pattern

## Product Classification

**Product Type** Arrestor trapeze kit

## General Specifications

**Mounting** Ceiling | Walls

## Dimensions

**Height** 76.2 mm | 3 in

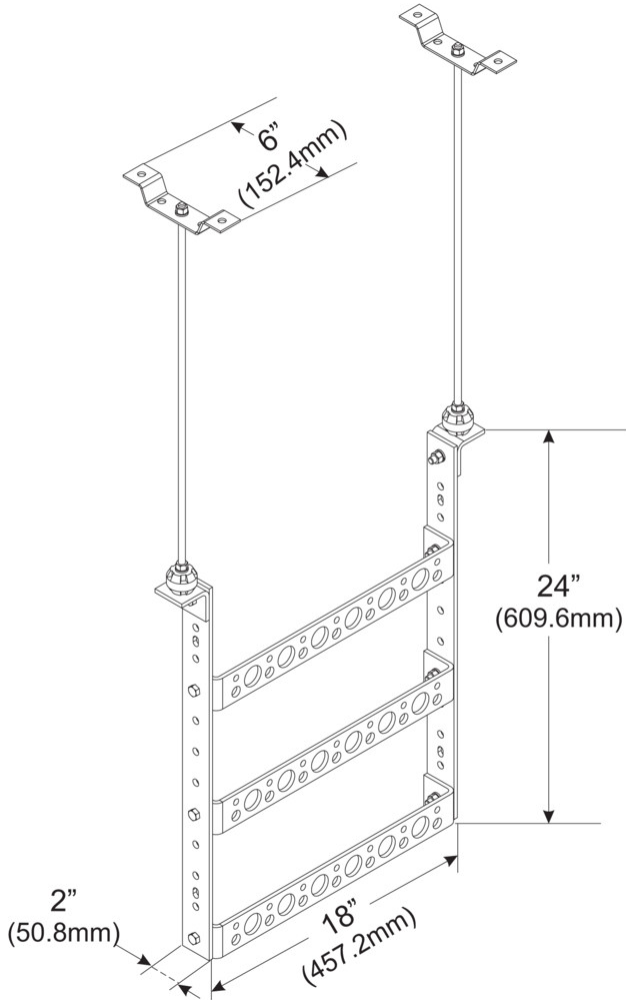
**Width** 457.2 mm | 18 in

**Length** 1,219.2 mm | 48 in

**Material Thickness** 7.62 mm | 0.3 in

# AT-K306-U

## Outline Drawing



## Material Specifications

**Material Type** Copper

## Packaging and Weights

**Included** Ceiling brackets | Threaded rod | Trapeze

**Packaging quantity** 1

**Weight, net** 9.7 kg | 21.385 lb

## Regulatory Compliance/Certifications

**Agency** **Classification**

# AT-K306-U

---

ISO 9001:2015

Designed, manufactured and/or distributed under this quality management system