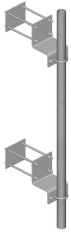


MT-223



Backing Plate Kit

Product Classification

Product Type Wall mount kit

General Specifications

Mounting Walls

Dimensions

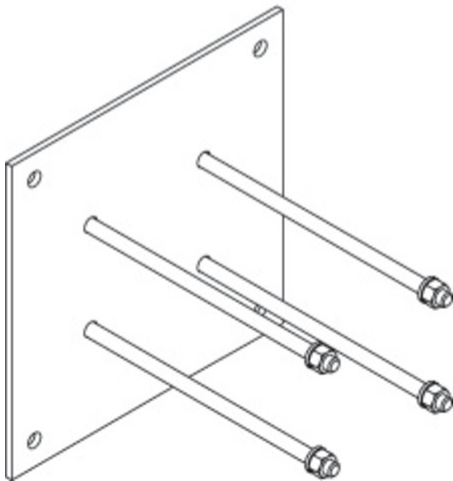
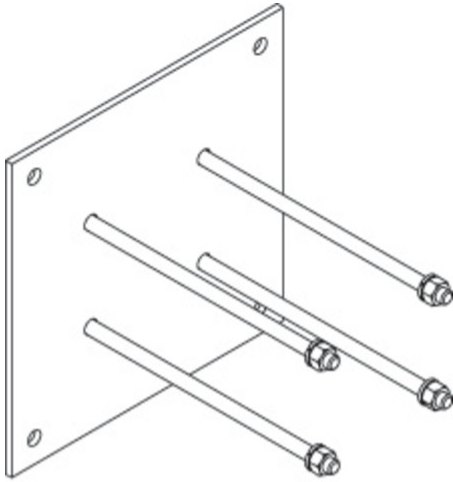
Height 254 mm | 10 in

Width 304.8 mm | 12 in

Length 304.8 mm | 12 in

MT-223

Outline Drawing



Material Specifications

Material Type Hot dip galvanized steel

Mechanical Specifications

Wind Rating For Specifications, please contact steelproducts@commscope.com or call 800-255-1479

Packaging and Weights

Included Backing plates or anchors | Wall brackets (2)

Packaging quantity 2

Weight, net 10.5 kg | 23.149 lb

MT-223

Regulatory Compliance/Certifications

Agency

ISO 9001:2015

Classification

Designed, manufactured and/or distributed under this quality management system

* Footnotes

Wind Rating

BWS—Base Wind Speed; FBC—Florida Building Code