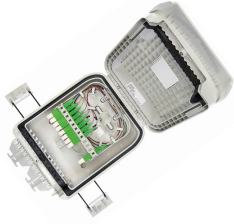


# EFDT

---



## RapidFiber® EFDT Wall Mounting Fiber Box, outdoor

CommScope's External Fiber Distribution Terminal (EFDT) is designed to provide a quick and simple solution for installing fiber in small and medium sized multi-Dwelling units (MDU's). Utilizing CommScope's RapidReel cable spool in conjunction with the 3.6mm internal / external 12-fiber microcable technology, CommScope is able to offer a full plug-and-play customer termination solution for in-building fiber applications.

The EFDT incorporates a unique fiber cable spooling system that stores up to 66 feet (20 m) of 3.6mm indoor/outdoor cable within the enclosure. The 3.6mm cable is supplied with a low-loss hardened multifiber optical connector (HMFOC) or MPO connector. With a single click, 12 fibers can be terminated directly to a wall box, fiber distribution hub or other HFMOF or MPO-enabled equipment - eliminating the need for fusion or mechanical splicing. The inner-end of the cable breaks out to 12 low-loss SC/APC adapter ports which enables fast, plug-and-play drop cable connections.

### Benefits:

- Greatly reduces time to install and removes craft sensitivity
- Removes the need for field termination / fusion splice
- Reduces inventory requirements for multiple cable types and lengths
- Removes the need for extensive site survey inspections
- Weatherproof housing suitable for external environmental conditions
- 3.6mm cable suitable for outside plant mounting / duct installation
- Easy installation, requires no special tools
- Quick service turn-up / maintenance

## Product Classification

<b>Regional Availability</b>	Asia   Australia/New Zealand   EMEA   Latin America   North America
<b>Portfolio</b>	CommScope®
<b>Product Type</b>	Fiber wall box
<b>Product Brand</b>	RapidFiber®
<b>Product Series</b>	EFDT

## General Specifications

<b>Functionality</b>	Patching   Splitting
<b>Access</b>	Front
<b>Cable Type</b>	Microcable - Loose Tube
<b>Enclosure Color</b>	Gray
<b>Front Cover Type</b>	Hinged with lock

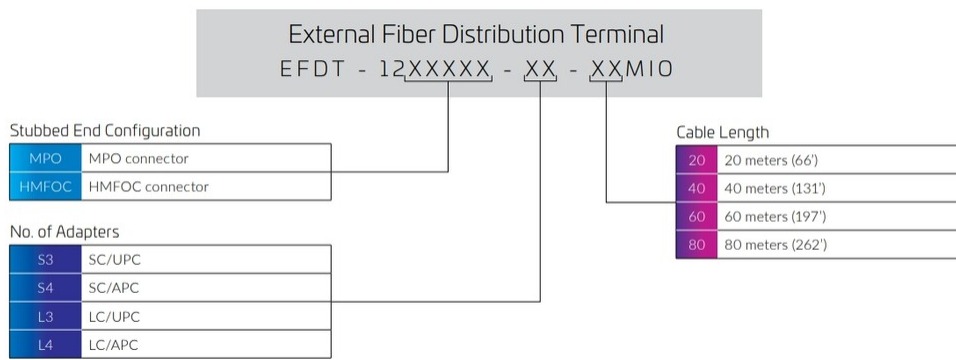
# EFDT

<b>Interface</b>	SC/APC   SC/UPC
<b>Interface, stub</b>	HMFOC   MPO
<b>Mounting</b>	Wall

## Dimensions

<b>Height</b>	264.16 mm   10.4 in
<b>Width</b>	179.07 mm   7.05 in
<b>Depth</b>	71.12 mm   2.8 in

## Ordering Tree



## Material Specifications

<b>Enclosure Material Type</b>	LSZH thermoplastic
--------------------------------	--------------------

## Optical Specifications

<b>Fiber Mode</b>	Singlemode
<b>Fiber Type</b>	G.657.A1   G.657.A2

## Environmental Specifications

<b>Environmental Space</b>	Outdoor
----------------------------	---------

## Packaging and Weights

<b>Packaging Type</b>	Box   Carton
-----------------------	--------------