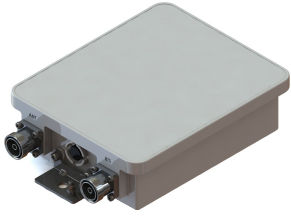


# IMF-7BC8A-RJ7A8B | E15V86P29

---



Interference Mitigation Filter for 700MHz B&C blocks and 850MHz A block, DC Blocking

- dc/AISG blocking on all ports (DC grounded)

## Product Classification

**Product Type** Interference mitigation filter

## General Specifications

**Color** Gray

**Modularity** 1-Single

**Mounting Pipe Hardware** Band clamps (2)

**RF Connector Interface** 7-16 DIN Female

## Dimensions

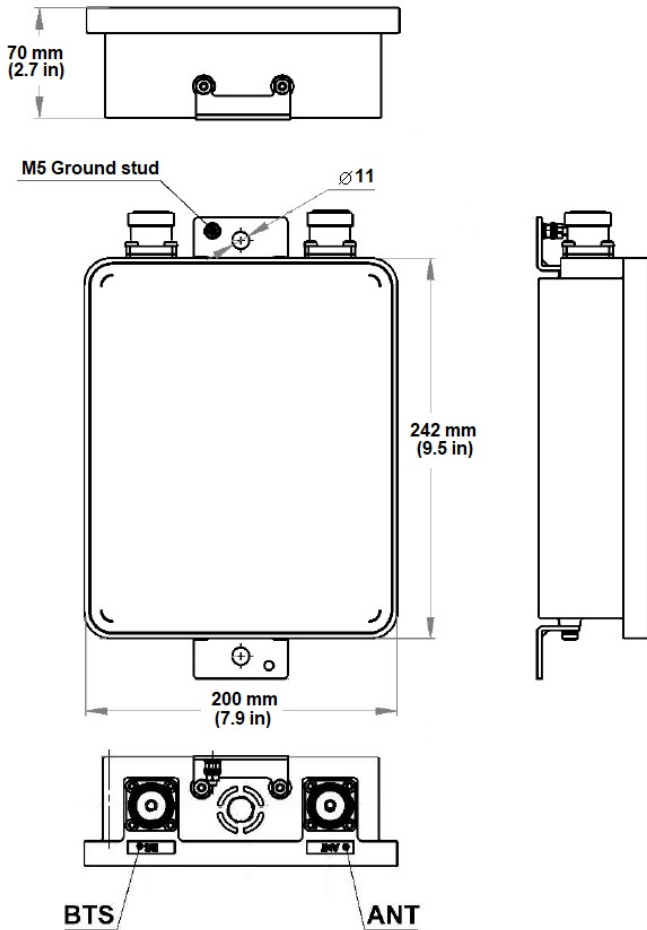
**Height** 242 mm | 9.528 in

**Width** 200 mm | 7.874 in

**Depth** 70 mm | 2.756 in

## Outline Drawing

# IMF-7BC8A-RJ7A8B | E15V86P29



## Electrical Specifications, dc Power/Alarm

<b>Lightning Surge Current</b>	8 kA
<b>Lightning Surge Current Waveform</b>	8/20 waveform

## Electrical Specifications

<b>Sub-module</b>	<b>1</b>	<b>1</b>	<b>1</b>	<b>1</b>
<b>Port Designation</b>	RX 700	TX 700	RX 850	TX 850
<b>License Band</b>	USA 700, Band Pass	USA 700, Band Pass	CEL 850, Band Pass	CEL 850, Band Pass

## Electrical Specifications, Band Pass

<b>Frequency Range, MHz</b>	<b>704.5–713.5</b>	<b>734.55–743.5</b>	<b>824.25–833.92</b>	<b>869.25–878.92</b>
<b>Insertion Loss, maximum, dB</b>	2	0.3	1.8	0.3

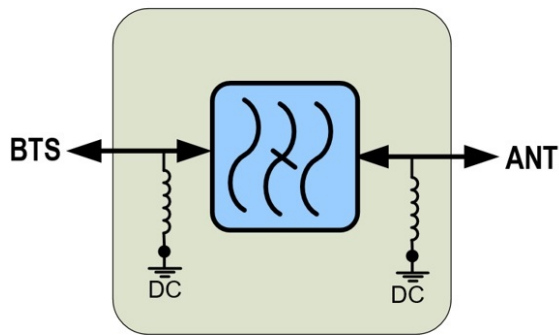
# IMF-7BC8A-RJ7A8B | E15V86P29

<b>Insertion Loss, typical, dB</b>	0.4	0.2	0.6	0.2
<b>Total Group Delay, maximum, ns</b>	550	15	185	15
<b>Return Loss, minimum, dB</b>	18	18	18	18
<b>Input Power, RMS, maximum, W</b>		40		40
<b>Input Power, PEP, maximum, W</b>		500		500
<b>3rd Order PIM, minimum, dBc</b>		-155		-155
<b>3rd Order PIM Test Method</b>		2 x 20 W CW tones		2 x 20 W CW tones

## Electrical Specifications, Band Reject

<b>Frequency Range, MHz</b>	<b>835.905–848.715</b>	<b>699.25–703.75</b>
<b>Attenuation, minimum, dB</b>	30	30

## Block Diagram



DC/AISG blocking (DC Grounded)

## Environmental Specifications

<b>Operating Temperature</b>	-40 °C to +65 °C (-40 °F to +149 °F)
<b>Relative Humidity</b>	Up to 100%
<b>Ingress Protection Test Method</b>	IEC 60529:2001, IP67

## Packaging and Weights

<b>Included</b>	Mounting hardware
<b>Mounting Hardware Weight</b>	0.2 kg   0.441 lb

# IMF-7BC8A-RJ7A8B | E15V86P29

---

**Weight, without mounting hardware**

4.3 kg | 9.48 lb