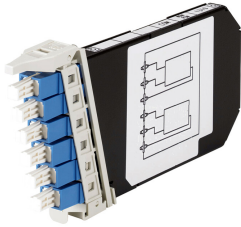


NGF-FMT-SPLTR-MODULES

Base Product



FMT/NGF MicroVAM Fiber Optic Monitoring Module

CommScope's Value-Added Module (VAM) system adds flexibility and functionality to the optical transport system by enabling service providers to easily incorporate optical components into the network. This versatile platform lays the foundation for the optical network of the future.

CommScope's VAM Modules feature:

- Enclosed Plug-in modules protect the optical components from physical and environmental damage
- Angled retainers maintain minimum bend radius of fiber patch cords
- Pluggable modules can be added or removed from the chassis without interfering with existing terminated patch cords
- Flexible platform: modules can be created for new applications quickly and easily to meet customer requirements
- Custom configurations are available upon request

The NGF VAM Splitter system consists of a variety of optical component modules that fit into the NGF ODF VAM blocks and FMT fiber panels.

Splitter applications include:

- Signal Splitting, distributing signals to multiple subscribers
- Monitor Testing, troubleshooting networks or monitor traffic without forcing disruption of service

Product Classification

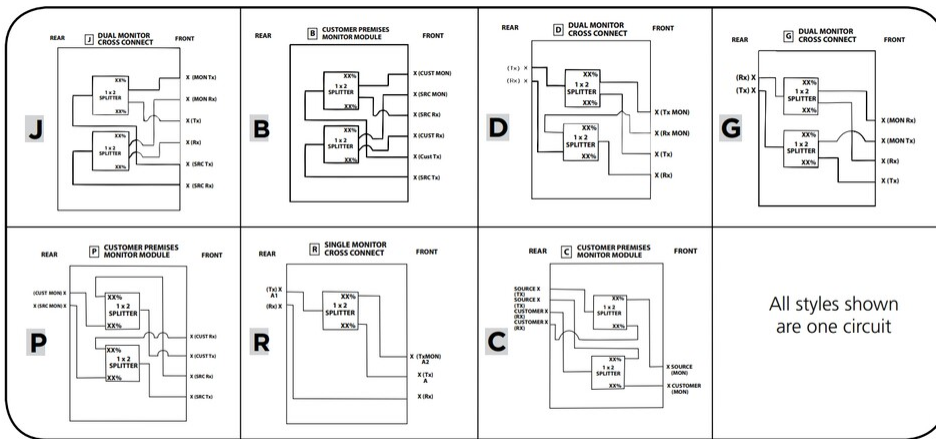
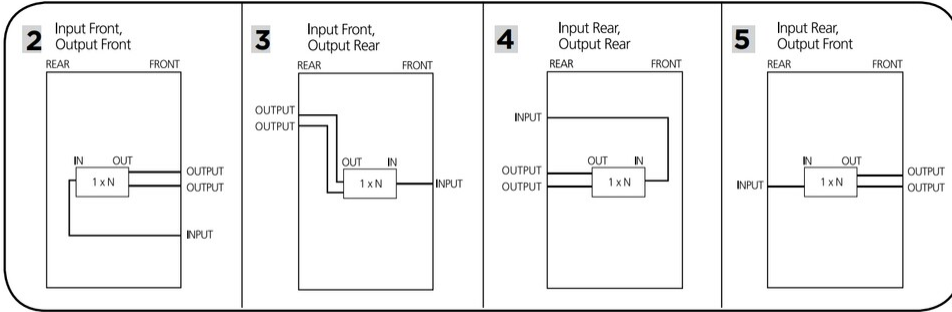
Regional Availability	Asia Australia/New Zealand EMEA Latin America North America
Portfolio	CommScope®
Product Type	Splitter module
Product Series	NGF

General Specifications

Device Type	Micro VAM
Functionality	Splitting
Access	Front Rear
Application	For use with FMT panels For use with NGF frames
Interface, Input	LC/APC LC/UPC SC/APC SC/UPC
Interface, Output	LC/APC LC/UPC SC/APC SC/UPC

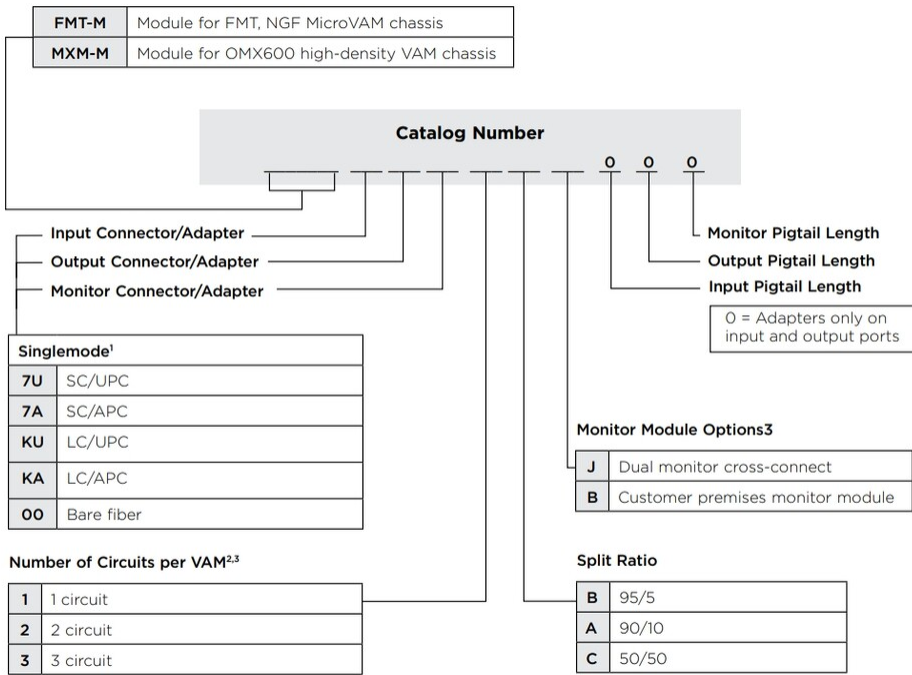
NGF-FMT-SPLTR-MODULES

Port Configuration

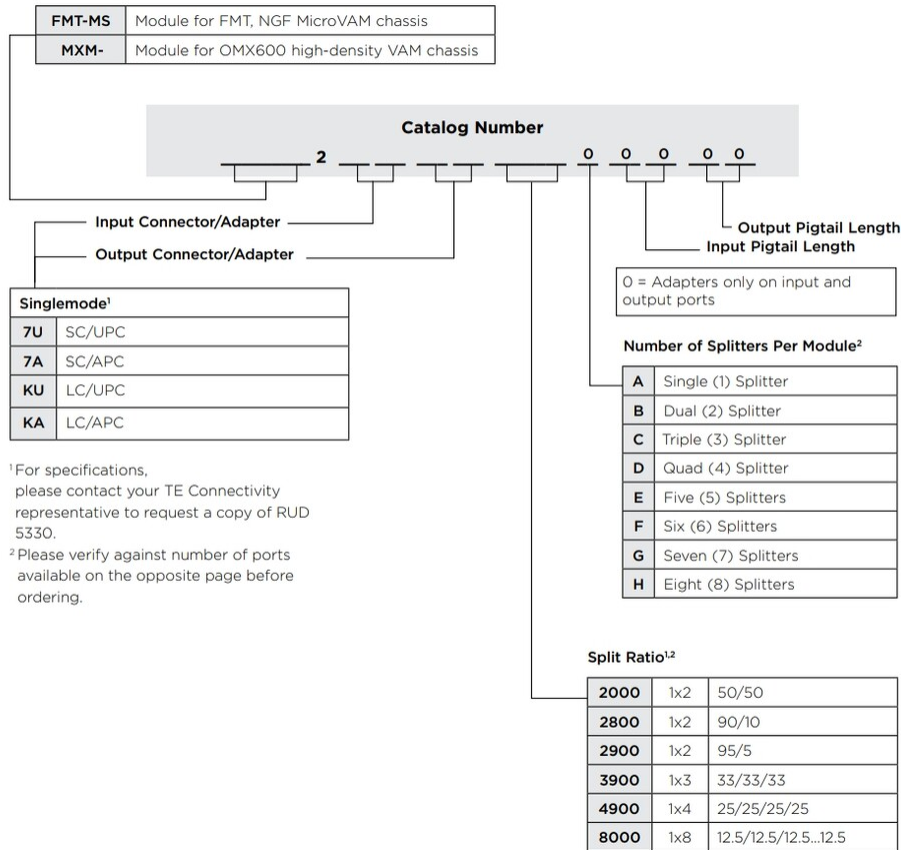


Ordering Tree

NGF-FMT-SPLTR-MODULES



NGF-FMT-SPLTR-MODULES



Environmental Specifications

Environmental Space Indoor

Packaging and Weights

Packaging quantity 1