

DFJ-2S5A-HW



HELIAX® Discrete, 2 single mode fiber, 5 mm armored LSZH cable. End 1: DLC. End 2: DLC

Product Classification

Regional Availability	Asia Australia/New Zealand EMEA Latin America North America
Portfolio	CommScope®
Product Type	Wireless Fiber Cable Assemblies
Product Brand	HELIAX®
Product Series	DFJ
Ordering Note	CommScope® non-standard product

General Specifications

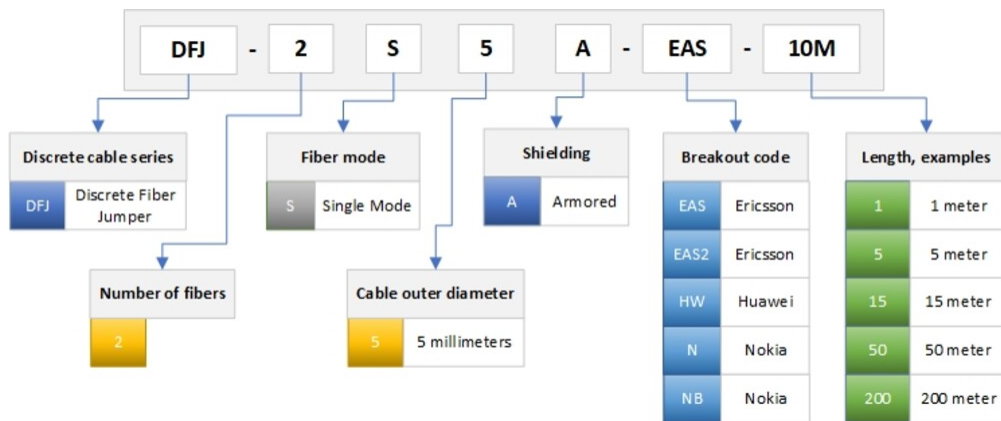
Construction Type	Discrete fiber tail
Interface, Connector A	DLC
Interface, Connector B	DLC
Jacket Color	Black
Total Fibers, quantity	2

Dimensions

Cable Assembly Length Range (m)	1 – 200
Diameter Over Jacket	5 mm 0.197 in

Ordering Tree

DFJ-2S5A-HW



Material Specifications

Jacket Material Low Smoke Zero Halogen (LSZH)

Optical Specifications

Fiber Type G.657.A2

Insertion Loss, typical note Insertion loss is measured at 1310 and 1550 nm

Insertion Loss, typical 0.5

Environmental Specifications

Operating Temperature -20 °C to +70 °C (-4 °F to +158 °F)

Environmental Space Low Smoke Zero Halogen (LSZH)

Packaging and Weights

Cable weight 35 kg/km | 23.519 lb/kft

Regulatory Compliance/Certifications

Agency	Classification
ISO 9001:2015	Designed, manufactured and/or distributed under this quality management system

* Footnotes

Insertion Loss, typical note Insertion loss is measured at a room temp of +20°C (+68°F)