

● Dash Number Indicates Color:

- 1 Light Almond
- 2 Black
- 3 White
- 4 Gray
- 1- -1 Electrical Ivory

Figure 1

1. INTRODUCTION

This instruction sheet provides assembly procedures for the 12-Port Office Box 1479358-[] . The box is designed to accept 110Connect and SL Series Modular Jacks (shielded and unshielded) and 110Connect and SL multimedia inserts. See Figure 1.

To obtain information on AMP NETCONNECT products, visit our website at www.commscope.com.

2. DESCRIPTION

The office box kit is available in five standard colors. Each kit consists of a base, cover, label, label cover, foam tape, two self-tapping mounting screws, and two cable ties. The cover features breakouts on both ends to accommodate major brand raceways. The base features a cable exit opening out of the bottom, mounting holes, molded tabs for cable-tie attachments

to facilitate cable management, and recessed areas to accept magnets for mounting to metal surfaces.

3. MOUNTING PROCEDURES (See Figure 2)

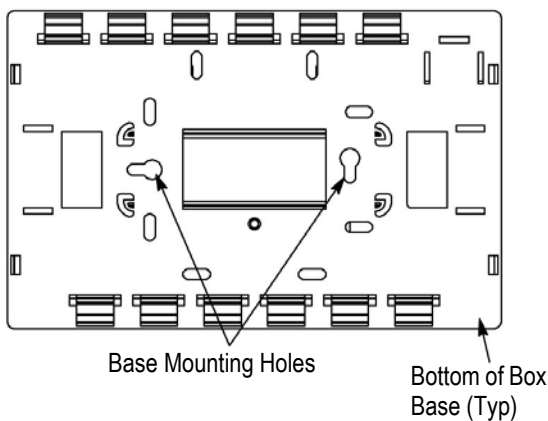
Determine location and installation method of the office box. The base may be mounted on flat surfaces by using the two slotted, pan head, self-tapping screws supplied, by double-faced foam tape, or magnets. The base is also designed to fit over single or dual gang NEMA electrical box configurations.

3.1. Flat Surface Mounting

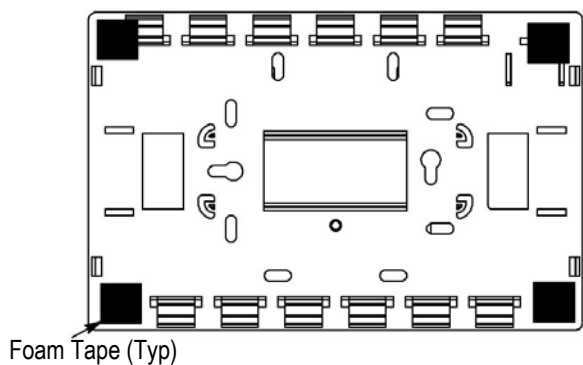
A. Self-Tapping Screws

1. Position box base in desired location. Mark and drill holes. Install screw mounting anchors (customer supplied) if required.
2. Align base mounting holes with holes/mounting anchors. Install and tighten screws until box is flat against surface.

Flat Surface with Self-Tapping Screws



Flat Surface with Foam Tape



Flat Surface with Magnets

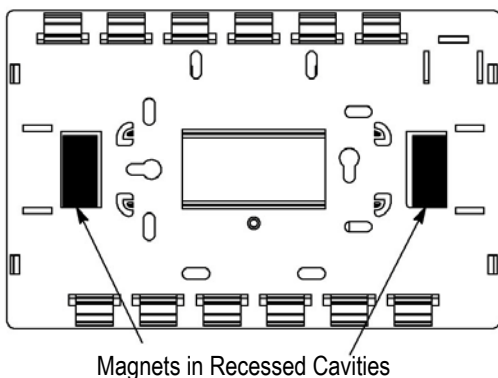


Figure 2

B. Foam Tape

1. Remove protective adhesive paper from one side of foam tape and place in one corner on back side of box base. Repeat procedure for remaining three pieces of foam tape. One piece should be placed on each of the four corners.
2. Determine location for box base. Remove protective adhesive paper from foam tape. Place base against flat surface and push against base to secure tape.

C. Magnets

NOTE

Magnets sold separately (Part Number 1479398-1).



1. Remove protective adhesive paper from rear of foam tape attached to magnet. Insert magnet into recessed cavity on back side of box base. Repeat procedure for second magnet.
2. Place base assembly onto desired metal surface.

3.2. NEMA Electrical Box

Align base mounting holes with screw holes in NEMA electrical box. Install and hand tighten screws (customer supplied) to secure box base to NEMA box. The box may be mounted in a horizontal or vertical position.

4. ASSEMBLY PROCEDURES

Route appropriate cable(s) to office box base. Terminate modular jacks, or multimedia inserts to cable ends according to instructions packaged with jacks/inserts.

NOTE

Jack punch-down station may be used to hold jack securely during termination.



4.1. Connectivity Installation

A. Modular Jack and Multimedia Inserts (See Figure 3)

1. Align terminated modular jack, or Multimedia insert, with deflecting latch facing up.
2. Install jack at slight angle and align stationary latch over rib in box base.
3. Gently pivot jack forward until deflecting latch engages into top rail and snaps into place. Repeat these procedures as needed.

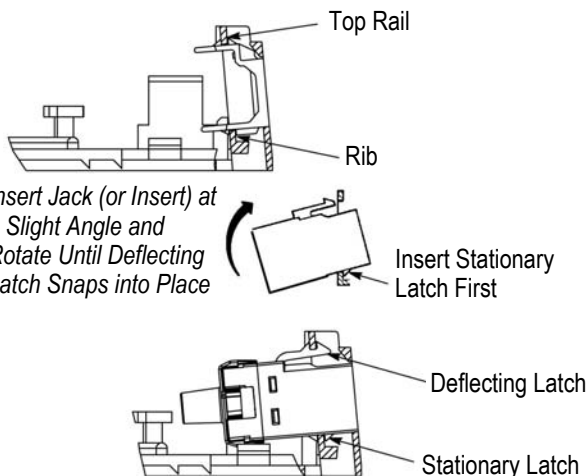


Figure 3

B. MT-RJ Fiber Installation (See Figure 4)

1. Pull 1 meter [3.3 ft] maximum of fiber through office box base.
2. After termination, loop fiber cable around fiber storage post and assure fiber is contained under lip of fiber storage post.
3. Align MT-RJ assembly with deflecting jack facing up. Insert into office box base port opening as described in Paragraph 4.1.A.

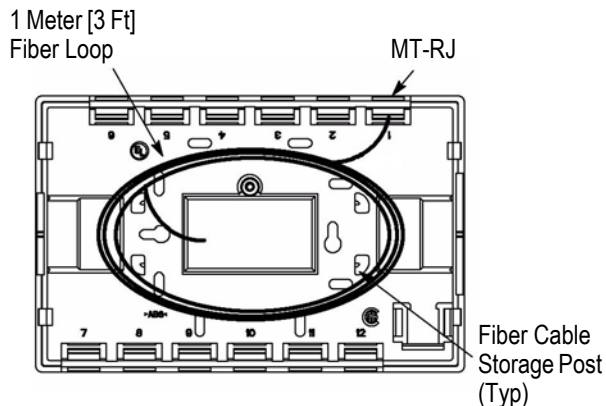


Figure 4

NOTE *If MT-RJ fiber connectors are not being used, break away fiber loop storage posts in base for added cable dress.*

C. Insert Installation (See Figure 3)

1. Align blank or Multimedia insert into port with offset tap facing up. Install insert at slight angle with latch aligned over rib in box base.
2. Gently pivot insert forward until offset tap latch engages into top rail and snaps into place. Repeat as needed. Insert blank inserts into unused ports.

D. Wire Dress (See Figure 4)

Dress cable(s) out both sides, back, or bottom of base. Use cable-ties to hold cable in place.

CAUTION *Do NOT overtighten cable-ties as to distort cable. Dress cable using radius in cable as recommended by EIA 568 guidelines.*

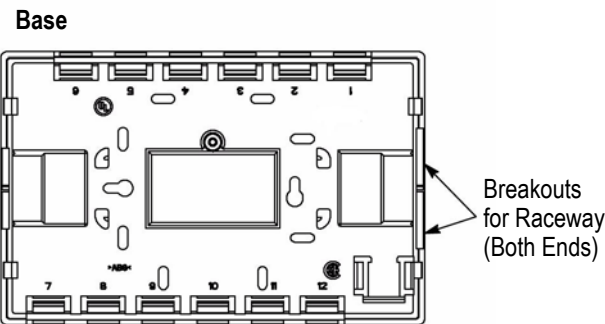
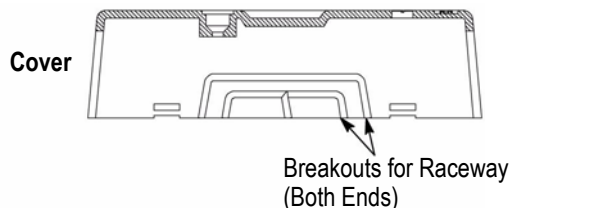
4.2. Cover and Raceway Installation

1. If raceway is being used, determine conduit size to assure correct breakout(s). Remove appropriate breakouts from cover and base. See Figure 5.
2. Install raceway conduit to fit into breakouts per manufacturers recommendations.
3. Align cover over base. Snap cover down over base until all four corners lock. Secure cover with supplied screw. See Figure 1.

NOTE *Cover may be removed by inserting a flat instrument into the cover removal indentions (both sides) and twisting.*

4. Mark label to identify system. Install label and label cover into space provided on box cover.

NOTE *Icons (sold separately) may be used to identify ports. Insert icons into area shown in Figure 1.*



Scribe line with sharp instrument prior to removing breakout. This will result in cleaner edges.

Figure 5

5. REVISION SUMMARY

- Updated document to corporate requirements
- New logo
- Rebranded to CommScope Inc