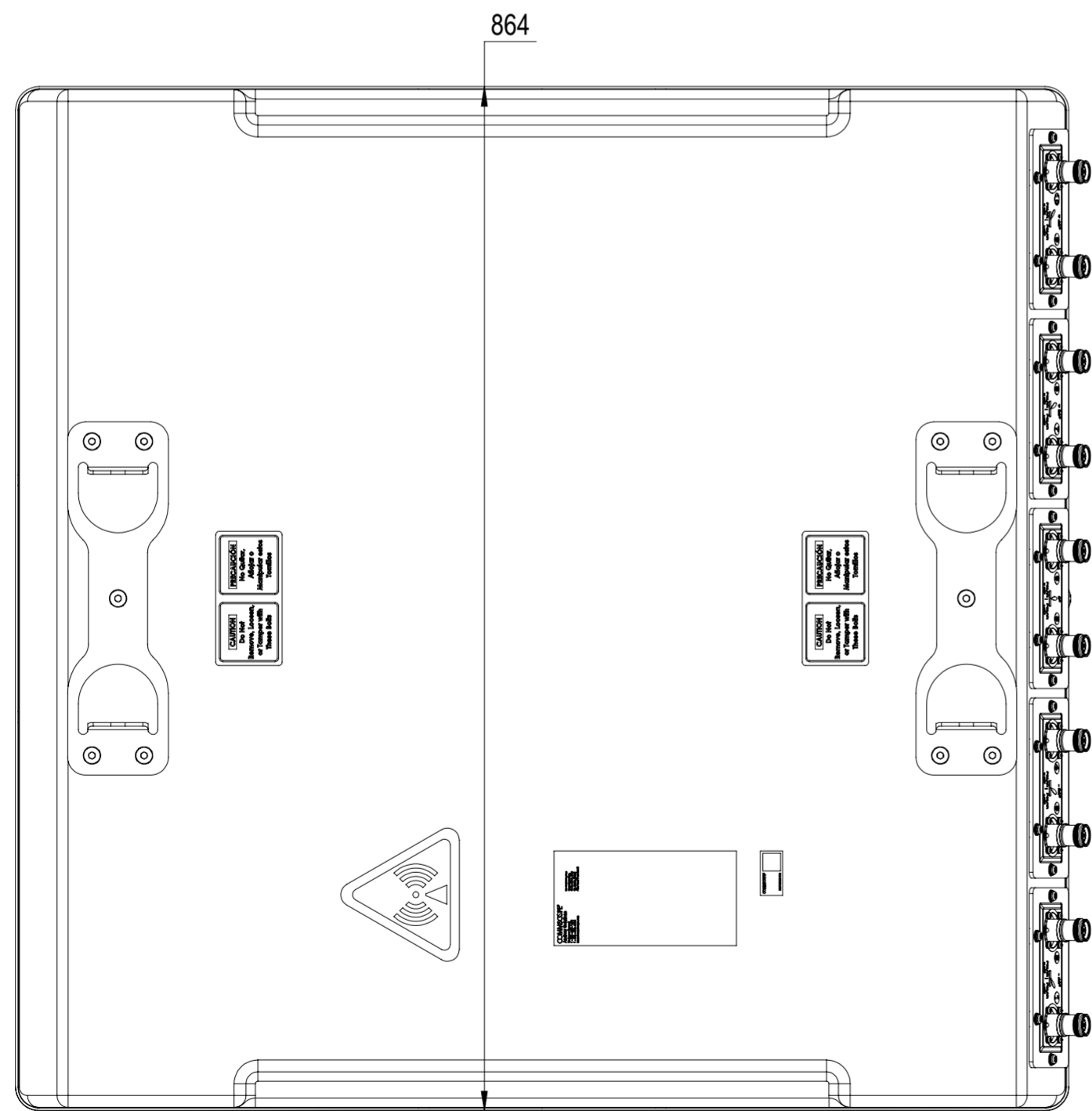
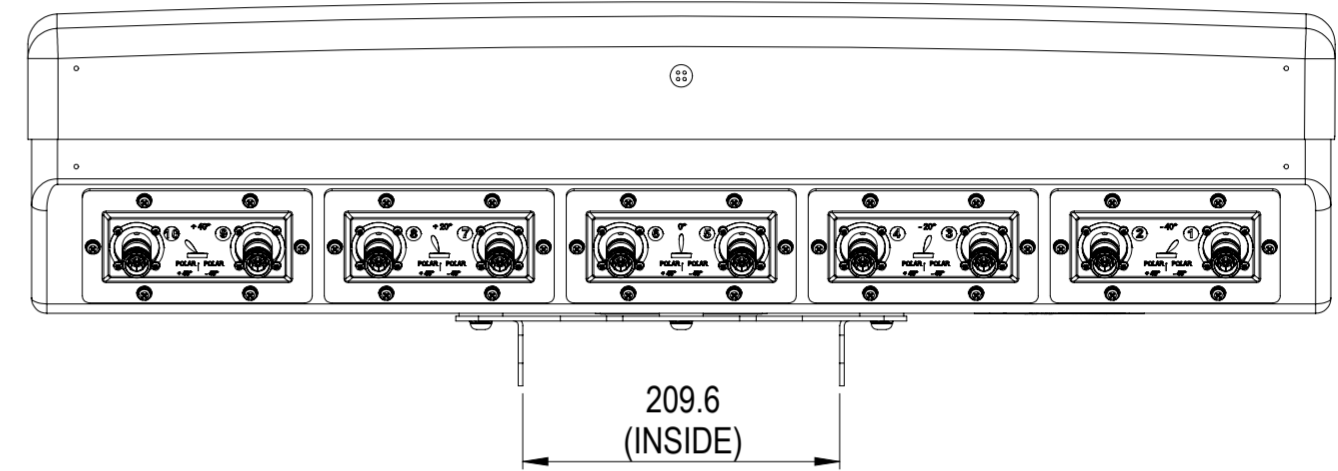
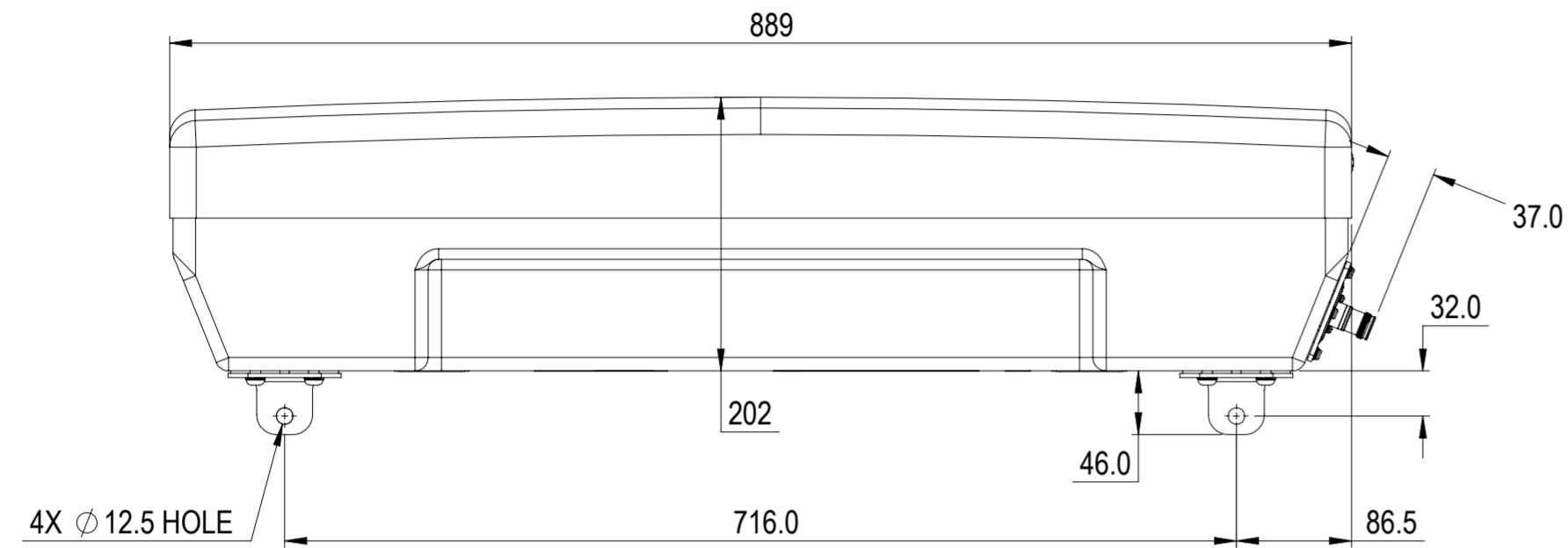


NOTES:

REVISIONS			
REV.	DESCRIPTION	DATE	APPROVED
A	ECR 8000040863: REL TO PRODUCTION PER EAO 608276.	23MAY20 ZW	GZB/PJ



5NPX1006F-V2

COMMSCOPE, INC. OF NORTH CAROLINA

TOLERANCES		SAP MATERIAL MASTER
0 PLACE X ±	2 PLACE .XX ±	
1 PLACE .X ±	ANGLES ±	

FINISH	MATERIAL
--------	----------

<small>UNLESS OTHERWISE SPECIFIED DIMENSIONS ARE IN MILLIMETERS INTERPRET PER ISO STANDARDS HANDBOOK TECHNICAL DRAWINGS VOLUMES 1 &amp; 2, THIRD EDITION (2002)</small>	NAME	DATE	TITLE
	CE WZ1012	05/18/2020	<p style="text-align: center;">PRODUCT DRAWING</p>
	RW WZ1012	05/18/2020	
	RV ZG1008	05/21/2020	
	AD JP1112	05/21/2020	
RE ZHHCHEN	05/21/2020		
ECN 8000040863-0	SCALE 1:5	DOCUMENT NO.	5NPX1006F-V2-L

DENSITY	g/mm <sup>3</sup>
MASS	grams
VOLUME	mm <sup>3</sup>
SURFACE AREA	mm <sup>2</sup>
HEIGHT	
LENGTH	
WIDTH	

SIZE	WORK AREA	MODEL	DRAWING			SHEET		
A2		VERSION	STATUS	REVISION	VERSION	STATUS	REVISION	1 OF 1
					00	RE	A	