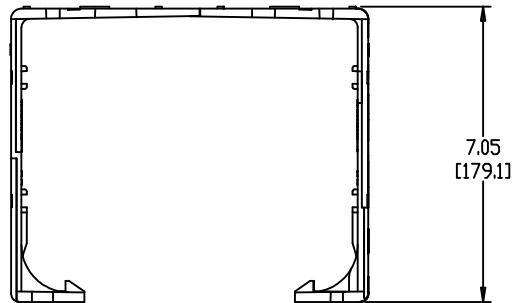
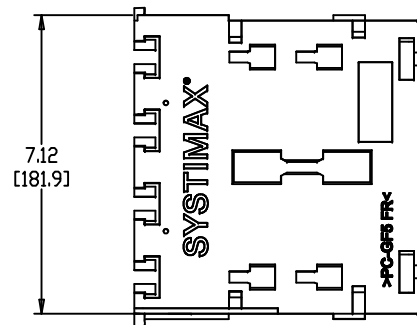
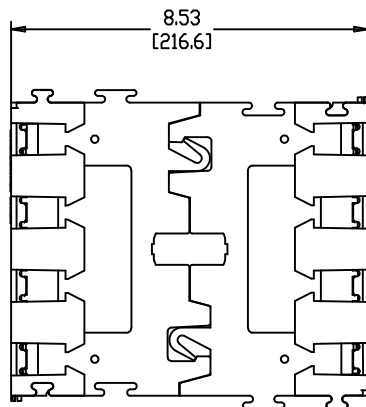


MATERIAL ID	DESCRIPTION
760060251	VisiPatch 360 4U BACK PANEL KIT



NOTES:

1. SEE SYSTIMAX CATALOG FOR PART NUMBER SUFFIXES TO INDICATE COLOR/PKG.
2. SEE SYSTIMAX CATALOG FOR COMPLETE LIST OF PARTS RELATED TO THE USE OF THIS PRODUCT.
3. DIMENSIONS IN PARENTHESES ARE IN METRIC.
4. PART INCLUDES:
 (12) METAL CLIP, BACK PANEL, TROY FASTENERS P/N 541361
 (4) BACK PANEL, VP360 128 PAIR



VisiPatch 360 PANEL KITS	
COMMSCOPE, INC OF NORTH CAROLINA	
SYSTIMAX® SOLUTIONS	
DRAWN BY DJ	DWG NO 760060251
APPROVED BY	DATE 05/12/2010

REV	DATE	ECR	DESCRIPTION	APPROVED BY
1	05/12/10		INITIAL ISSUE	