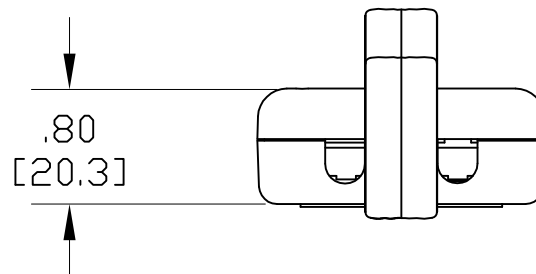
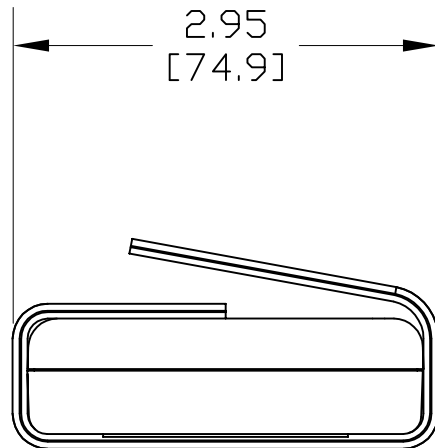
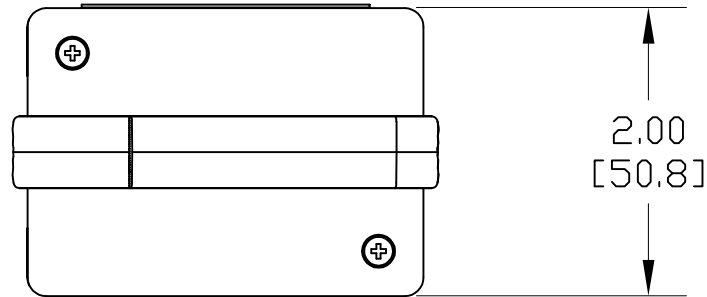


MATERIAL ID	DESCRIPTION	WEIGHT (lbs.)
760074047	IN-LINE MPO ADAPTER HOUSING	0.01

NOTES:

- SEE SYSTIMAX CATALOG FOR PART NUMBER SUFFIXES TO INDICATE COLOR/PKG.
- SEE SYSTIMAX CATALOG FOR COMPLETE LIST OF PARTS RELATED TO THE USE OF THIS PRODUCT.
- DIMENSIONS IN PARENTHESES ARE IN METRIC.
- PART INCLUDES:
 - (1) HOUSING
 - (2) ADAPTERS, MPO, ALIGNED KEYS
 - (1) STRAP, HOOK & LOOP
 - (1) LABEL



IN-LINE MPO ADAPTER HOUSING	
COMMScope, INC HICKORY, NORTH CAROLINA	
SYSTIMAX® SOLUTIONS	
DRAWN BY SEW	DWG NO. 760074047
DATE 10/25/07	

REV	DATE	ECR	DESCRIPTION	BY
1	10/25/07		INITIAL ISSUE	CTC