

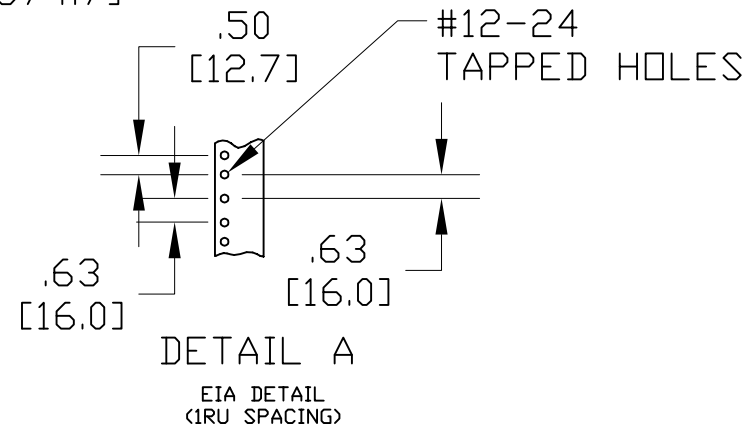
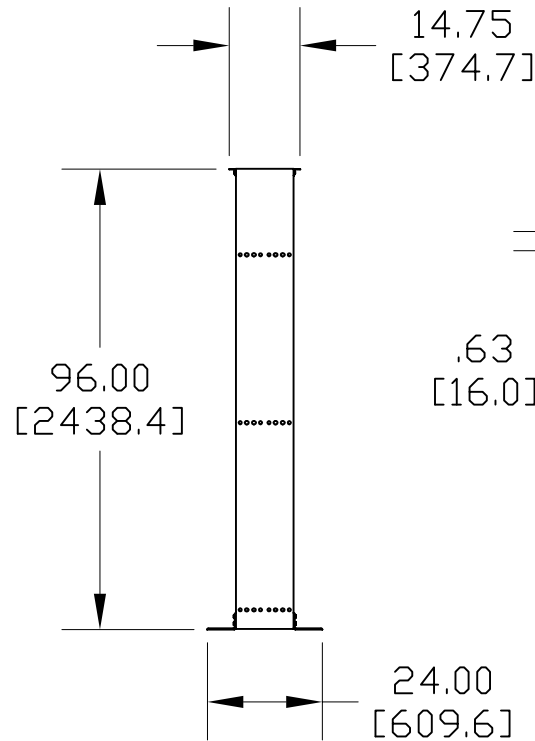
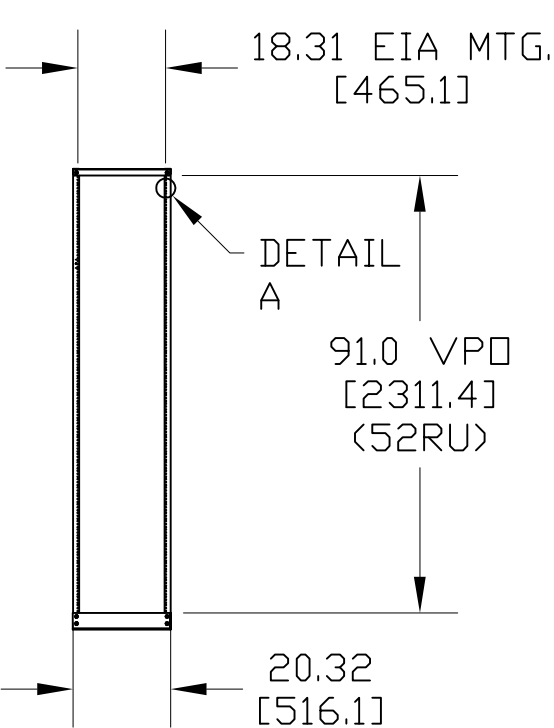
MATERIAL ID	DESCRIPTION	WEIGHT (lbs.)
760090167	EQUIPMENT RACK, 12 INCH CHANNEL X 8 FT HIGH, 52RU	98

NOTES:

1. SEE COMMSCOPE CATALOG FOR PART NUMBER SUFFIXES TO INDICATE COLOR/PKG.
2. SEE COMMSCOPE CATALOG FOR COMPLETE LIST OF PARTS RELATED TO THE USE OF THIS PRODUCT.
3. DIMENSIONS IN PARENTHESES ARE IN METRIC.

4. PART INCLUDES:

- (1) RACK
- (12) BOLTS, WASHERS and HEX-NUTS
- (40) SCREWS



RK12-52S

COMMSCOPE, INC HICKORY, NORTH CAROLINA

REV	DATE	ECR	DESCRIPTION	BY
2	5/3/08		REVISED	TLL
1	2/29/08		INITIAL ISSUE	TLL

DRAWN BY SEW		DWG NO. 760090167
DATE 2/29/08		