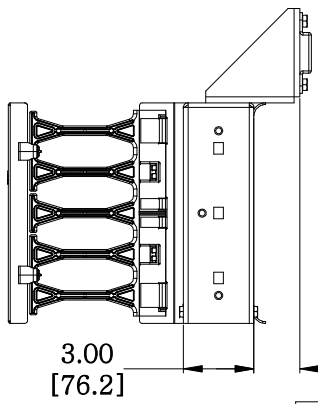
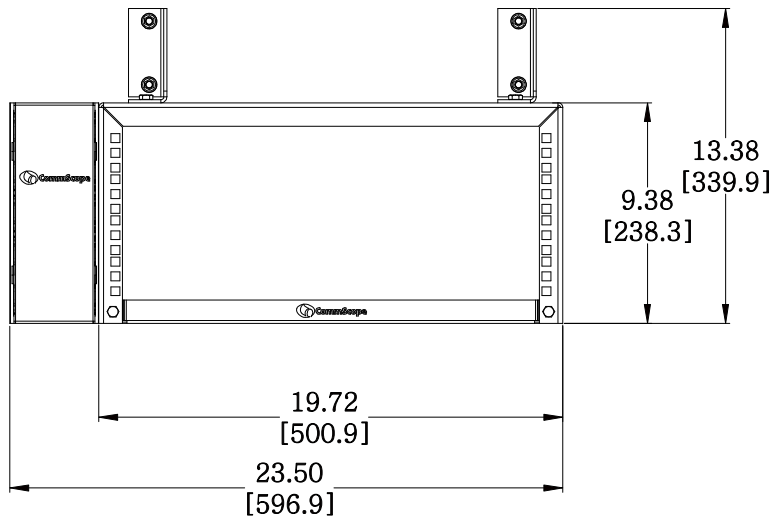
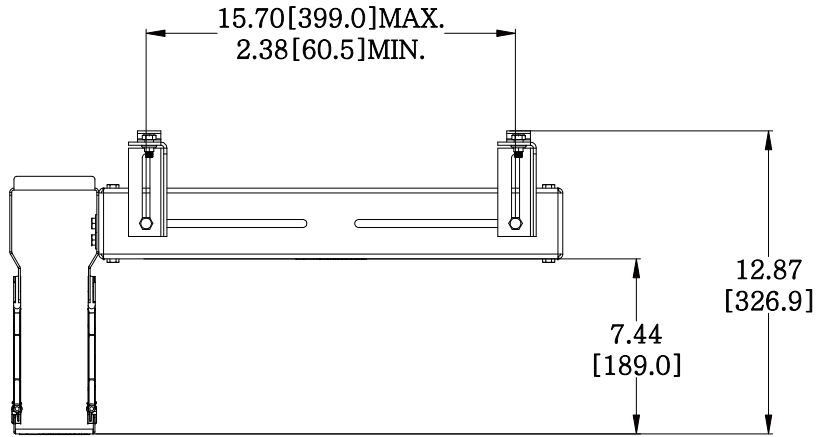


MATERIAL ID	DESCRIPTION
760158592	KIT, OVERHEAD RACK/VCM, 4U



**NOTES:**

- SEE COMMSCOPE CATALOG FOR PART NUMBER SUFFIXES TO INDICATE COLOR/PKG.
- SEE COMMSCOPE CATALOG FOR COMPLETE LIST OF PARTS RELATED TO THE USE OF THIS PRODUCT.
- DIMENSIONS IN PARENTHESES ARE IN METRIC.
- PART INCLUDES:**
  - (1) ASSEMBLY, OVERHEAD PATCH PANEL RACK, 4U
  - (1) ASSEMBLY, COVER, OVERHEAD PATCH PANEL RACK, 4U
  - (1) TROUGH, VCM, 4U OVERHEAD RACK
  - (2) FINGER, CABLE MANAGEMENT, 5 FINGER SECTION
  - (3) WASHER, FLAT, 1/4 SS .281 I.D. X .75 O.D.
  - (2) BRACKET, CLAMP, LADDER RACK
  - (2) BRACKET, OVERHEAD PATCH PANEL RACK SUPPORT
  - (6) SCREW, HEX HEAD CAP SCREW 5/16"-18 X 3/4" LG. BLACK OXIDE
  - (6) NUT, 5/16"-18, SERRATED, BLACK OXIDE
  - (3) SCREW, HHM, 1/4-20 X .500 LG SS
  - (2) WASHER, FLAT, STEEL, .344 ID x 1.25 OD x .12 THK, BLK
  - (16) M6 CAGE NUT
  - (16) M6 X 12MM PANEL MOUNT SCREW

KIT, OVERHEAD RACK/VCM, 4U  
**COMMSCOPE, INC** OF NORTH CAROLINA

1	3/24/11		INITIAL ISSUE	DP	DRAWN BY DJ	
REV	DATE	ECR	DESCRIPTION	APPROVED BY	DATE 3/24/2011	DWG NO 760158592