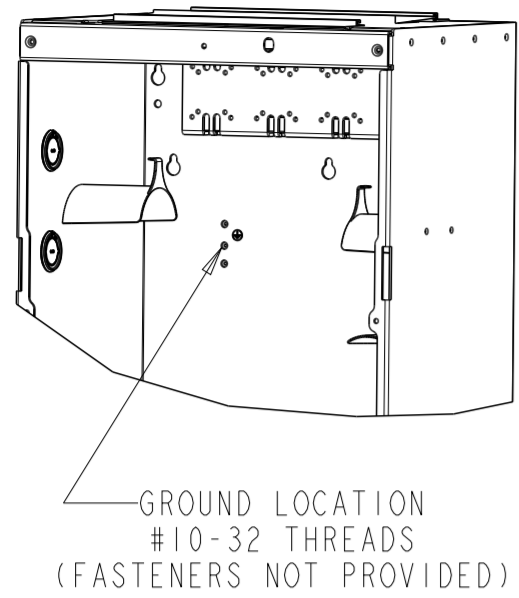
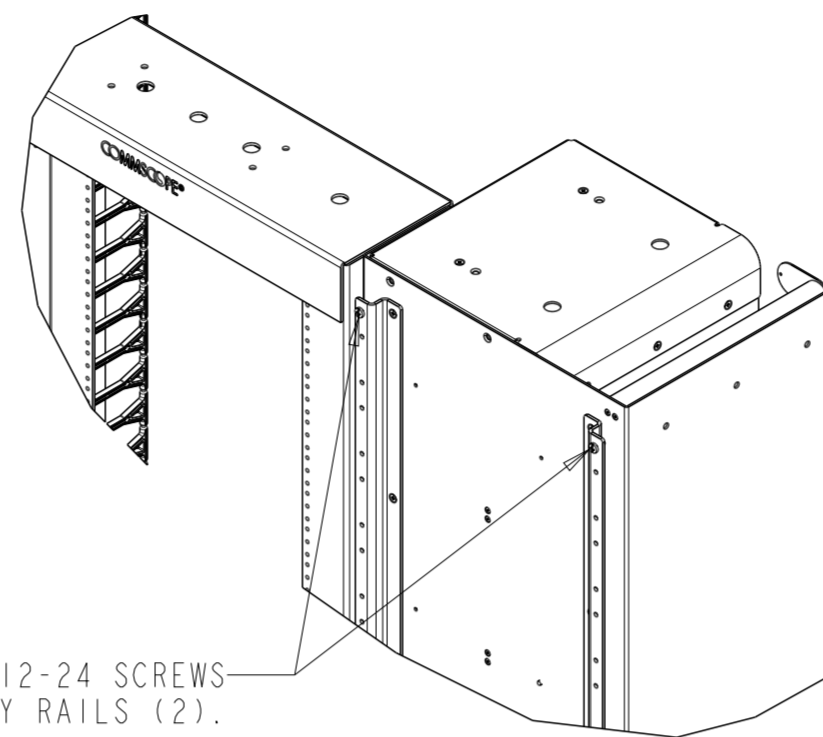
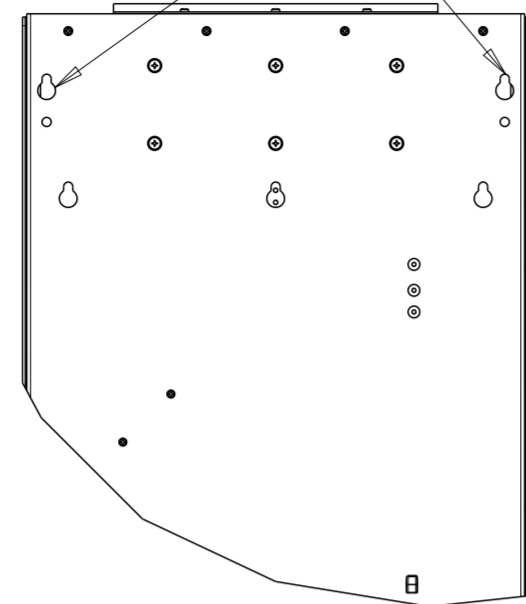


REVISIONS			
REV	CMO	DATE	APPROVED
A	40083434CMO	04-FEB-18	RCS

# SPLICE CABINET - FLEX FRAME MOUNTING



KEYHOLES FOR ASSEMBLY  
TO ACCESSORY RAILS

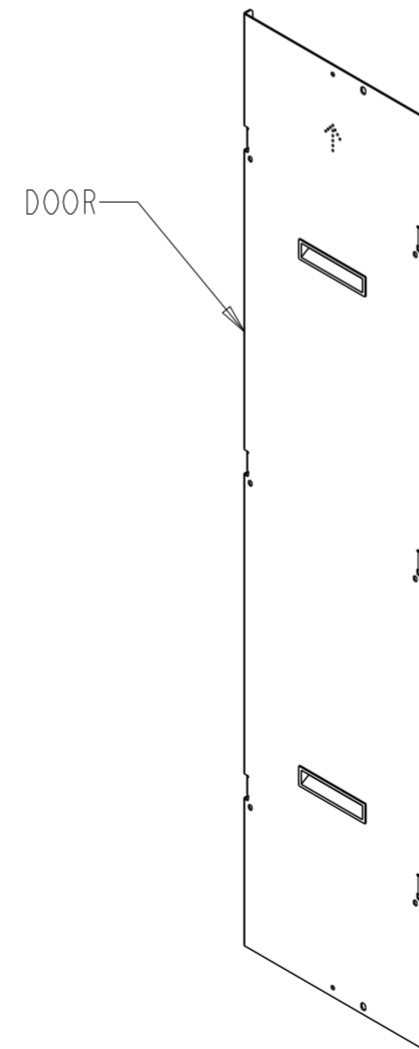
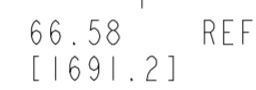
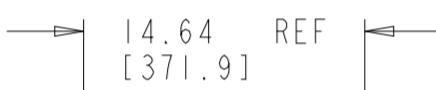


WITH DOOR REMOVED, HANG CABINET  
ON TOP SCREWS USING KEYHOLE DETAIL.

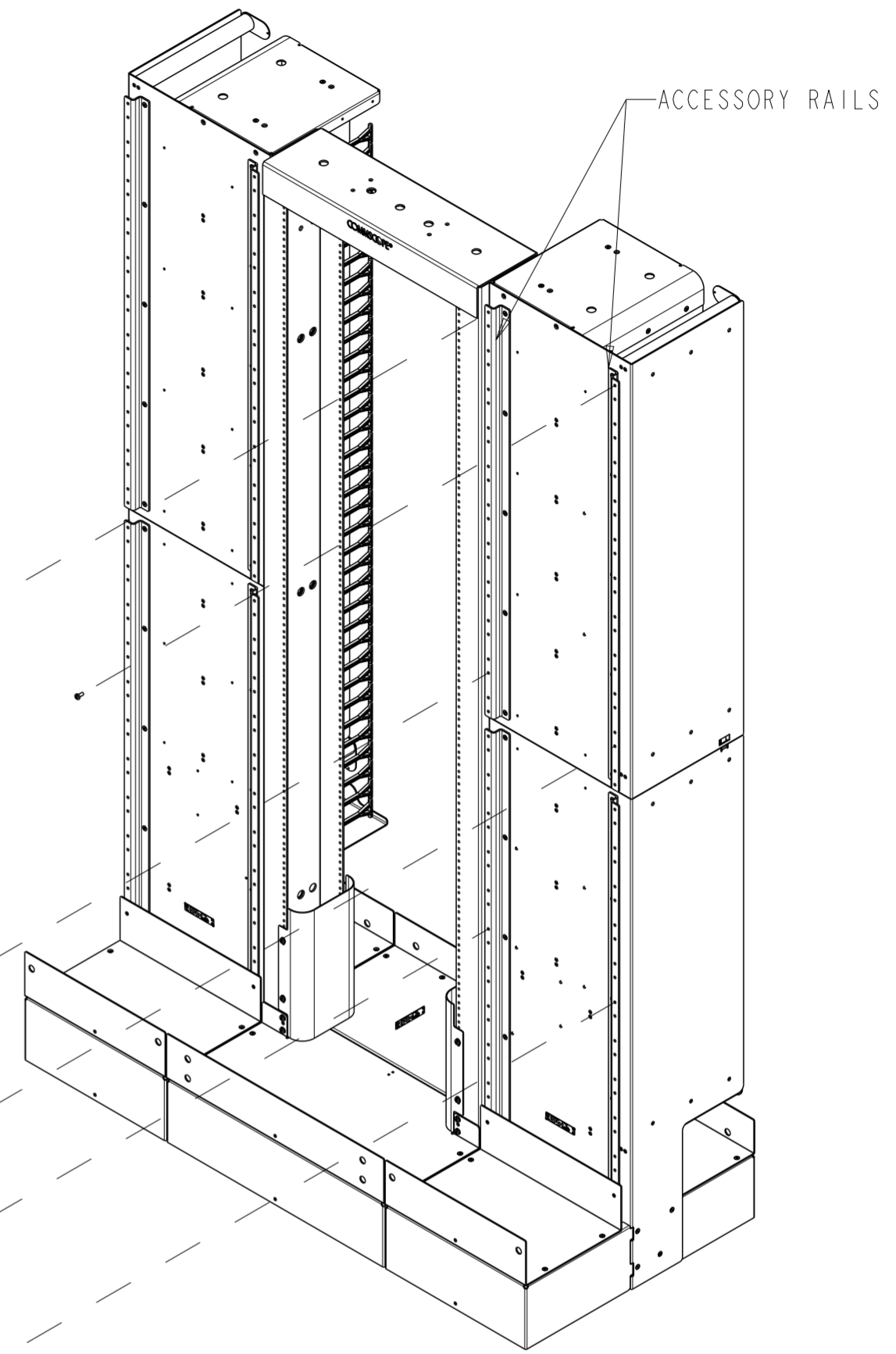


FASTEN SPLICE CABINET TO CABLE  
MANAGER ACCESSORY RAILS WITH  
#12-24 SCREWS AND STAR WASHERS (4).

START ALL FASTENERS  
BEFORE TIGHTENING.



NOTES:  
1. UNITS: INCHES [mm]

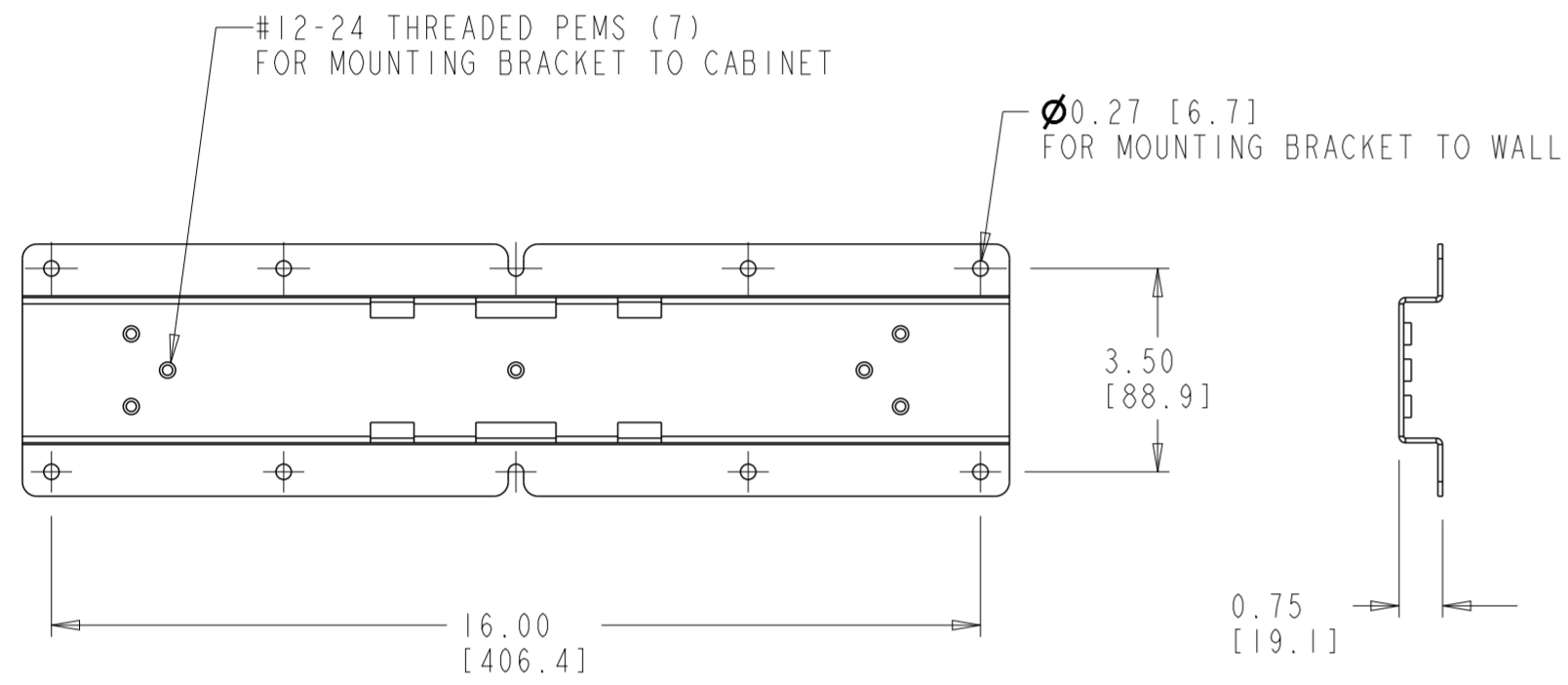


660003101	A
MID	REV

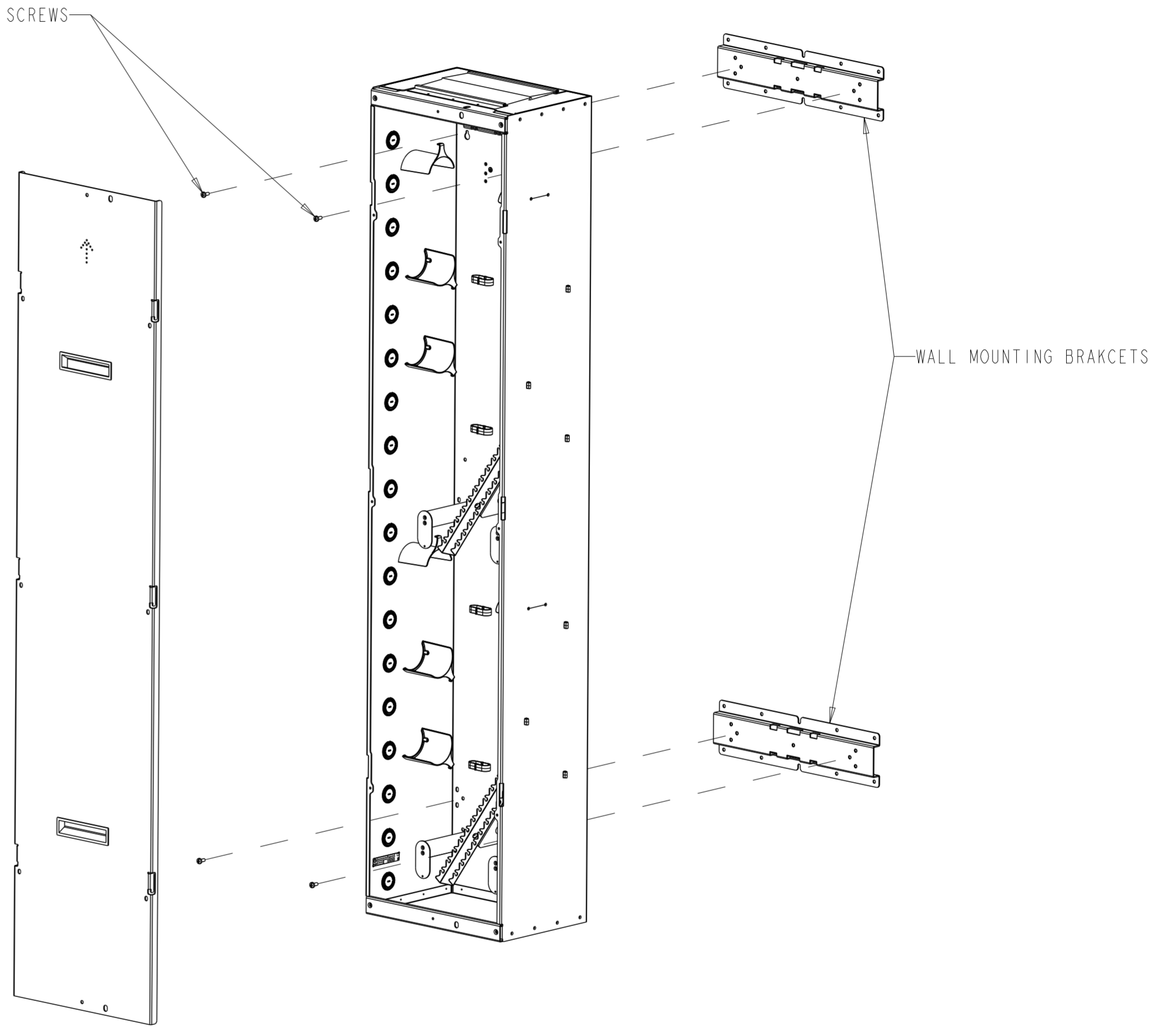
COMMSCOPE, INC.									
TOLERANCES					SAP MATERIAL MASTER				
SEE TABLE									
FINISH					MATERIAL				
SEE NOTES					SEE NOTES				
UNLESS OTHERWISE SPECIFIED DIMENSIONS ARE IN MILLIMETERS	DRAFTER			TITLE					
	R. SCHOENFELDER			INSTALL DRAWING, SPLICE CABINET					
	CHECKER								
	ENGINEER			SIZE	SCALE	DOCUMENT NO.			
J. SOLHEID			A2	0.090	A19001767				
CMO			40083434CMO						
ALL SURFACES		WORK AREA: 58		MODEL		DRAWING		SHEET	
✓		[Symbol]		VERSION	STATUS	REVISION	VERSION	STATUS	REVISION
				00			00	RE	A
1 OF 2									

© 2019 CommScope, Inc. Confidential  
NOTICE: These drawings and specifications are the proprietary property of COMMSCOPE, INC. and may be used only for the specific purpose authorized in writing by COMMSCOPE, INC.

# SPLICE CABINET - WALL MOUNT



#12-24 SCREWS



NOTES:

1. ATTACH SPLICE CABINET TO MOUNTING BRACKETS WITH #12-42 SCREWS.
2. ATTACH MOUNTING BRACKETS TO WALL WITH 1/4" DIA. OR SMALLER FASTENERS.

**COMMSCOPE, INC.**

TITLE  
INSTALL DRAWING, SPLICE CABINET

SIZE A2	SCALE 0.120	DOCUMENT NO. <b>A19001767</b>
------------	----------------	----------------------------------

DRAWING			SHEET 2 OF 2
VERSION 00	STATUS RE	REVISION A	

© 2019 CommScope, Inc. Confidential

NOTICE: These drawings and specifications are the proprietary property of COMMSCOPE, INC. and may be used only for the specific purpose authorized in writing by COMMSCOPE, INC.

