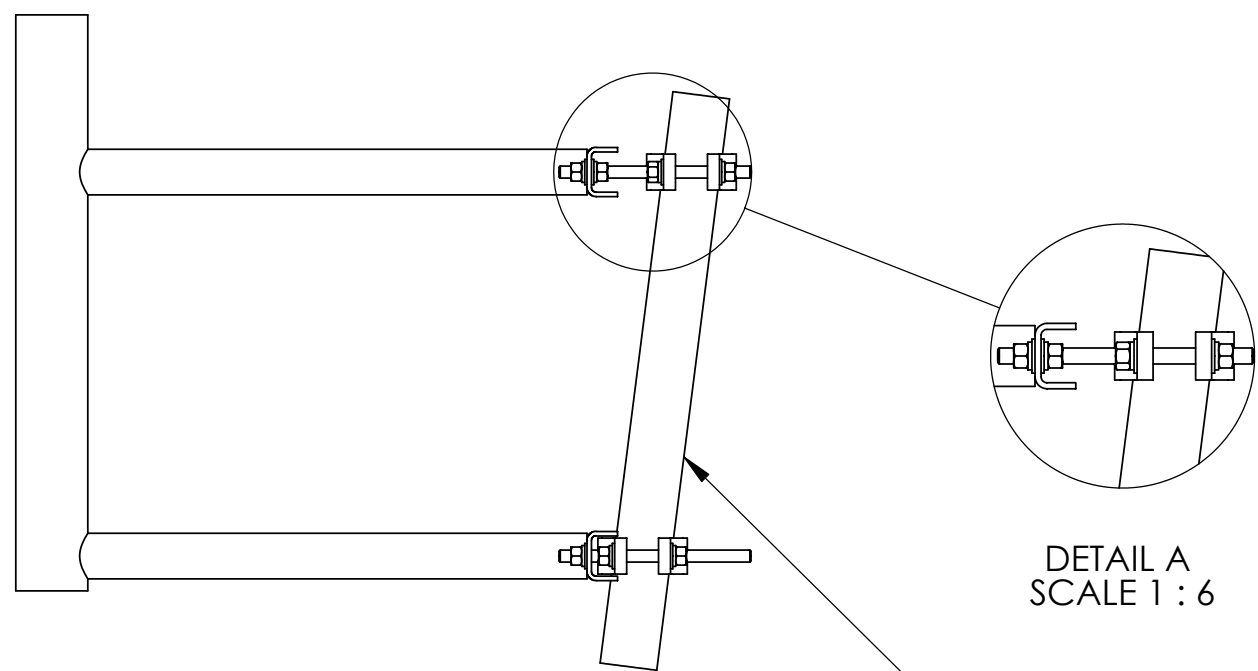


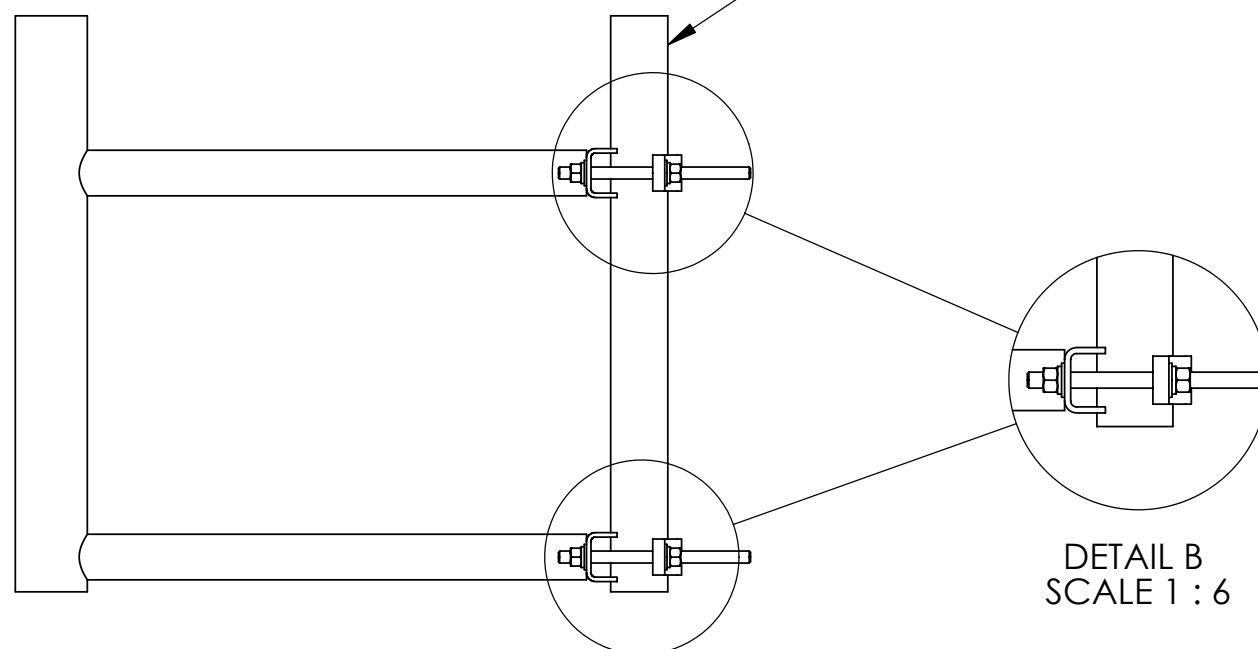
ITEM	PART NO.	DESCRIPTION	QTY.	WEIGHT
1	DM100.01	24" STAND-OFF BRACKET	1	19.36 LBS
2	SH06	HARDWARE KIT (ITEMS 3-8)	1	
3	SCP10	SMALL DISH CLAMP HALF	4	1.20 LBS
4	OS312	1/2" X 3" OFFSET SLEEVE	2	0.22 LBS
5	MT-379-8	1/2" X 8" GALV THREADED ROD	4	0.44 LBS
6	GWF04A	1/2" GALV FLAT WASHER (A325)	14	0.02 LBS
7	GWL-04	1/2" GALV LOCK WASHER	14	0.09 LBS
8	GN04A	1/2" GALV HEX NUT (A325)	14	0.08 LBS

REVISIONS				
REV.	ZONE	DESCRIPTION	BY	DATE
B		REVISED AND REDRAWN	JTS	04/02/01
C		UPDATE HARDWARE KIT	ACG	02/22/06

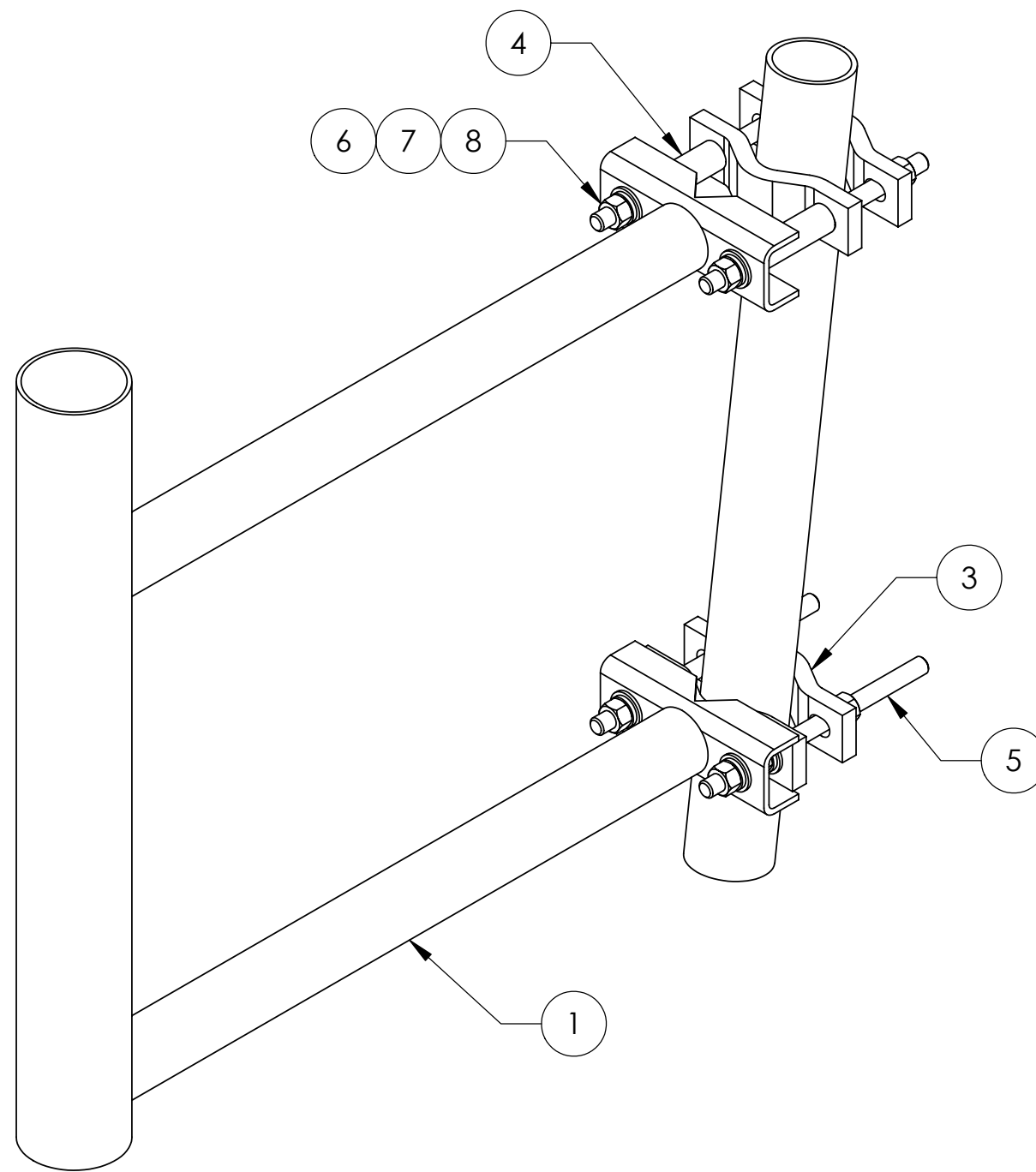


TAPERED LEG INSTALLATION WITHOUT OFFSET SLEEVES


EXISTING ϕ 1.5" OD TO ϕ 3.5" OD TOWER LEG (STRAIGHT OR TAPERED)



STRAIGHT LEG INSTALLATION



TAPERED LEG INSTALLATION WITH OFFSET SLEEVES

<small>These drawings and specifications are the proprietary property of ANDREW CORPORATION and may be used only for the specific purpose authorized in writing by Andrew Corporation.</small> ALL DIMENSIONS ARE IN INCHES U.O.S. TOLERANCES UNLESS OTHERWISE SPECIFIED: .X = \pm .06 ANGLES \pm 2° .XX = \pm .03 FRACTIONS \pm 1/32 .XXX = \pm .010 REMOVE BURRS AND BREAK EDGES .005 DO NOT SCALE THIS PRINT	DRAWN BY: ACG CHECKED BY: TP DATE: 02/22/06 REVISION: C	SHEET: 1 of 1 SCALE: NTS MATERIAL: A36, A53 FINISH: GALV A123 WEIGHT: 31.46 LBS	PART NUMBER: DM-100 DESCRIPTION: 24" DISH STAND-OFF BRACKET KIT DRAWING TYPE: ASSEMBLY DRAWING  ORLAND PARK, IL. 60462 U.S.A.
--	--	---	---