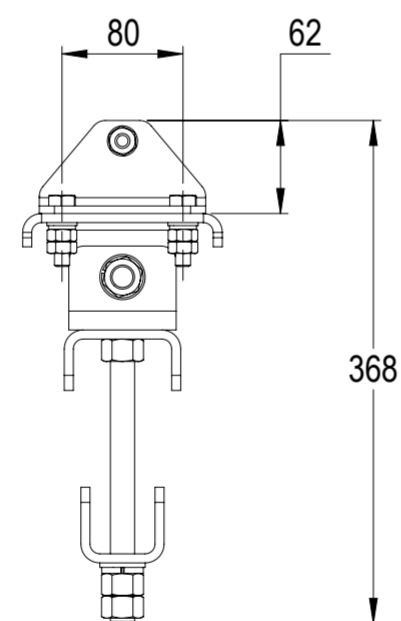
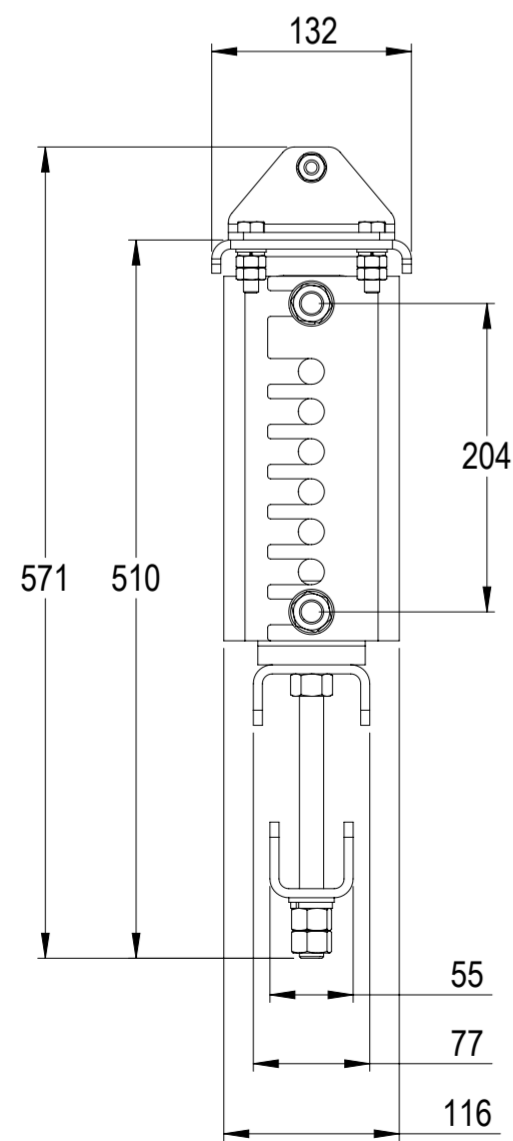
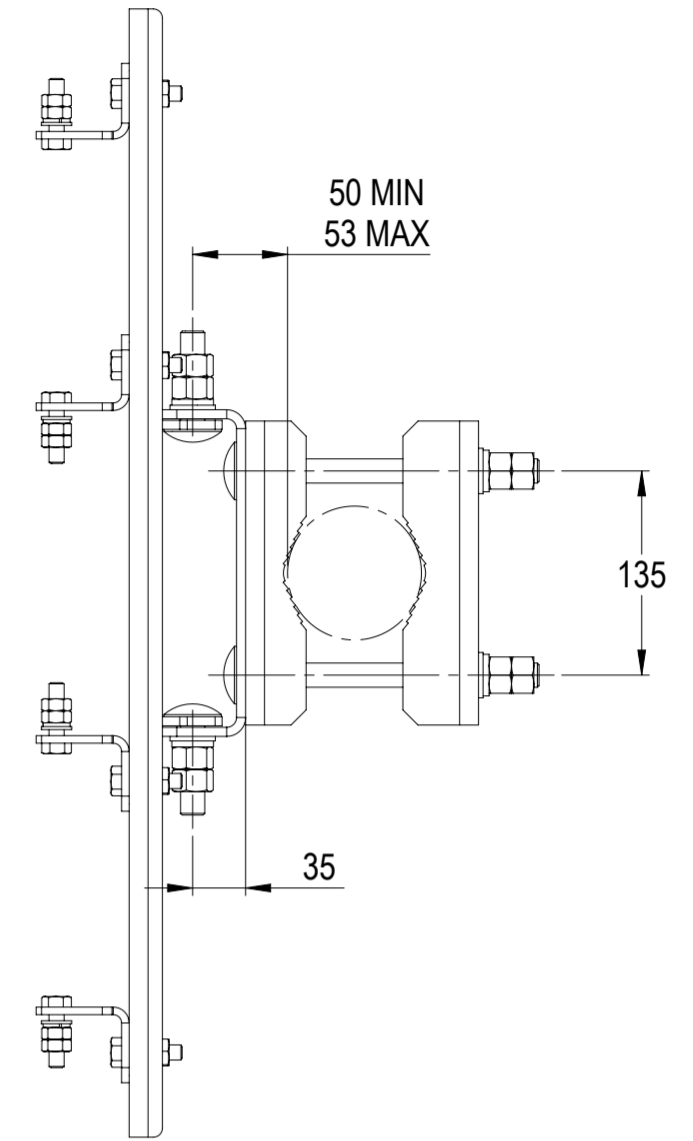
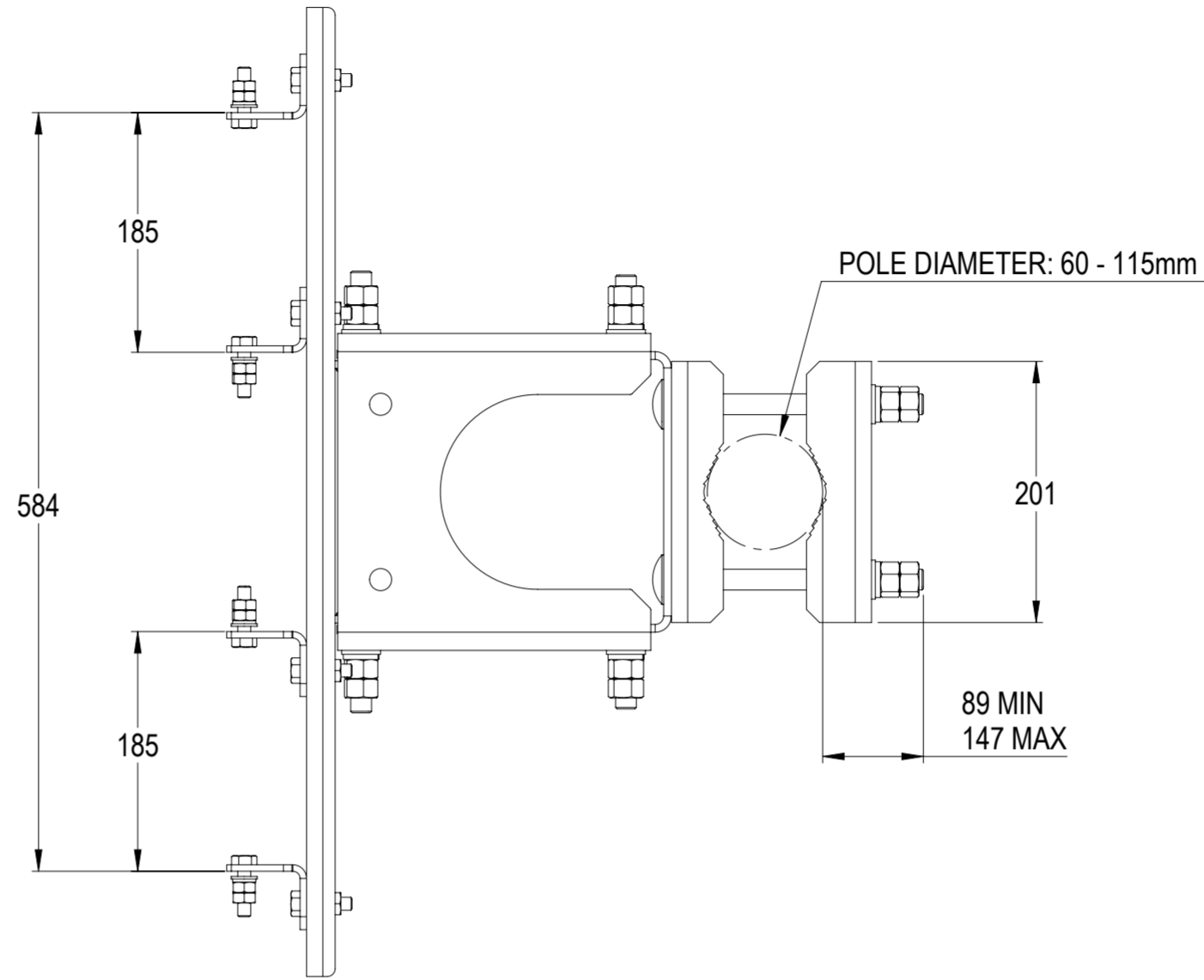
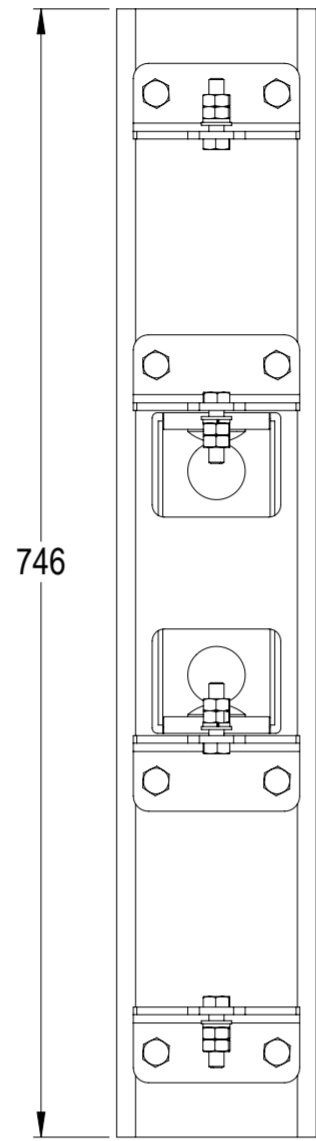
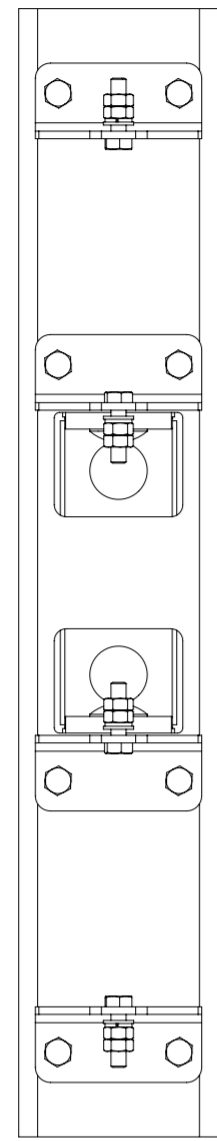


NOTES:

REVISIONS			
REV.	DESCRIPTION	DATE	APPROVED
A	ECR 8000016518: REL TO PRODUCTION.	23JAN17 ZHW	ZY.LU/J.LIU



# BSAMNT-SBS-2-2

DENSITY	g/mm <sup>3</sup>
MASS	grams
VOLUME	mm <sup>3</sup>
SURFACE AREA	mm <sup>2</sup>
HEIGHT	
LENGTH	
WIDTH	

<b>COMMSCOPE, INC. OF NORTH CAROLINA</b>			
TOLERANCES		SAP MATERIAL MASTER	
0 PLACE	X ±	2 PLACE	.XX ±
1 PLACE	.X ±	ANGLES	±
FINISH	N/A	MATERIAL	N/A
UNLESS OTHERWISE SPECIFIED DIMENSIONS ARE IN MILLIMETERS INTERPRET PER ISO STANDARDS HANDBOOK TECHNICAL DRAWINGS, VOLUMES 1 & 2, THIRD EDITION (2002)		NAME	DATE
CE	ZHW	01/23/2017	<b>PRODUCT DRAWING</b>
RW	HZ1014	02/21/2017	
RV	AL1012	02/21/2017	
AD	JL1139	02/21/2017	
RE	BYUAN	02/21/2017	
ECN 8000016518-O		SCALE	DOCUMENT NO.
		<b>1:5</b>	<b>BSAMNT-SBS-2-2-L</b>
SIZE	WORK AREA	23	MODEL
<b>A2</b>		VERSION	STATUS
		00	RE
		REVISION	DRAWING
		A	VERSION
			STATUS
			REVISION
			A
			SHEET
			1 OF 1