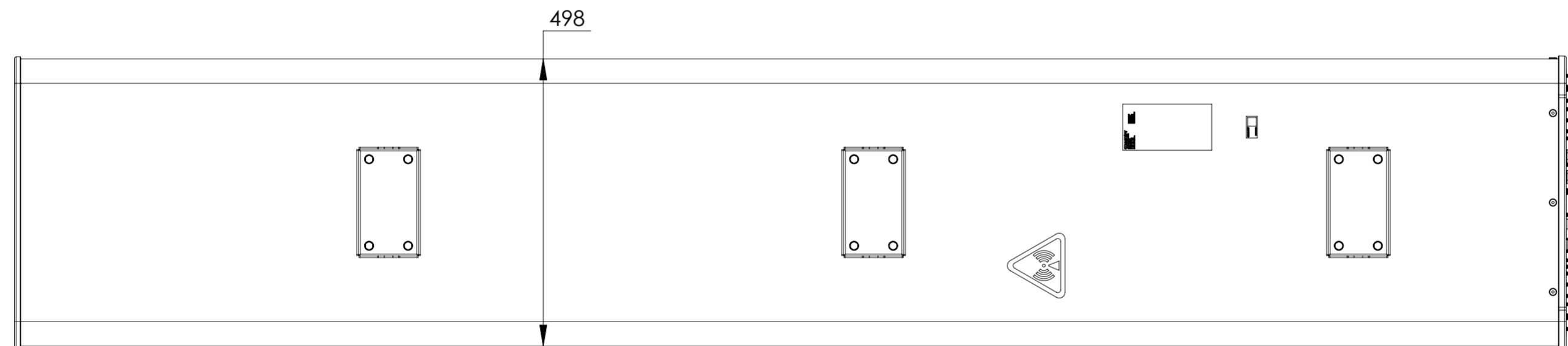
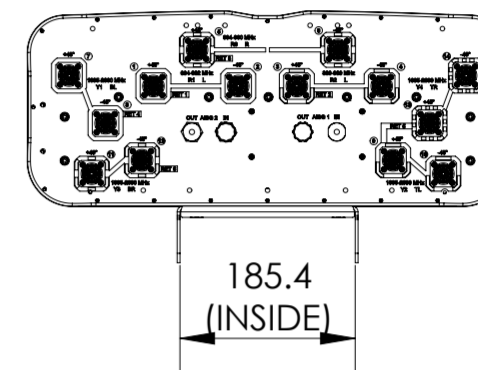
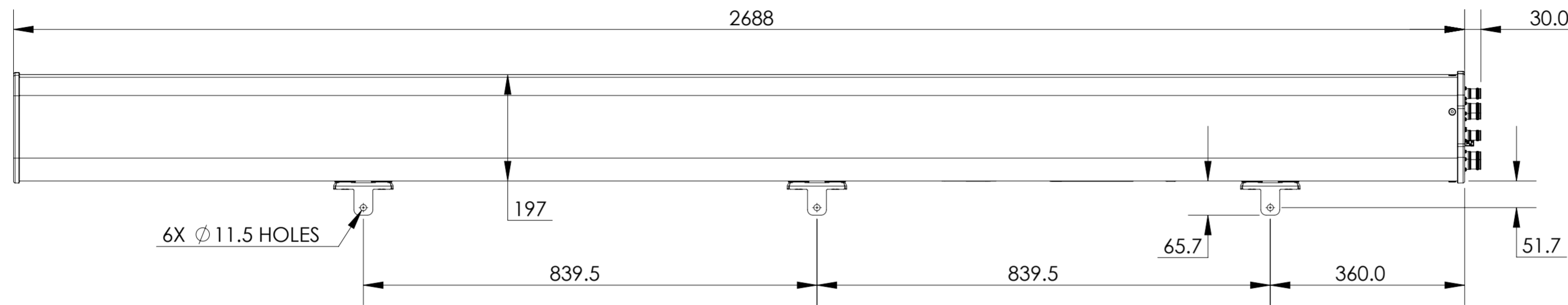


REVISIONS			
REV.	DESCRIPTION	DATE	APPROVED
A	ECR 8000027773: RELEASE TO PRODUCTION PER EAO 604931.	23APR18 LUOS	LZL/X.MEI



EGRV4-65D-R6

COMMSCOPE, INC. OF NORTH CAROLINA																			
TOLERANCES					SAP MATERIAL MASTER														
0 PLACE X ±		2 PLACE .XX ±																	
1 PLACE .X ±		ANGLES ±																	
FINISH					MATERIAL														
<small>UNLESS OTHERWISE SPECIFIED DIMENSIONS ARE IN MILLIMETERS INTERPRET PER ISO STANDARDS HANDBOOK TECHNICAL DRAWINGS VOLUMES 1 &amp; 2, THIRD EDITION (2002)</small>																			
										NAME		DATE		TITLE					
										CE LUOS		02/09/2018		ANT - 6LB, 8HB, 65DEG, 6RET					
										RW SL1074		04/24/2018							
										RV ZL1025		04/24/2018							
AD XIMEI		04/24/2018																	
RE BYUAN		04/24/2018		SCALE		DOCUMENT NO.													
ECN 8000027773-O		1:8		EGRV4-65D-R6-L															
SIZE		WORK AREA		MODEL		DRAWING				SHEET									
A2		23		RE		REVISION		REVISION		1 OF 1									
VERSION		STATUS		REVISION		VERSION		STATUS		REVISION									
00		RE		A		00		RE		A									

DENSITY	g/mm <sup>3</sup>
MASS	grams
VOLUME	mm <sup>3</sup>
SURFACE AREA	mm <sup>2</sup>
HEIGHT	
LENGTH	
WIDTH	

© 2018 CommScope, Inc.