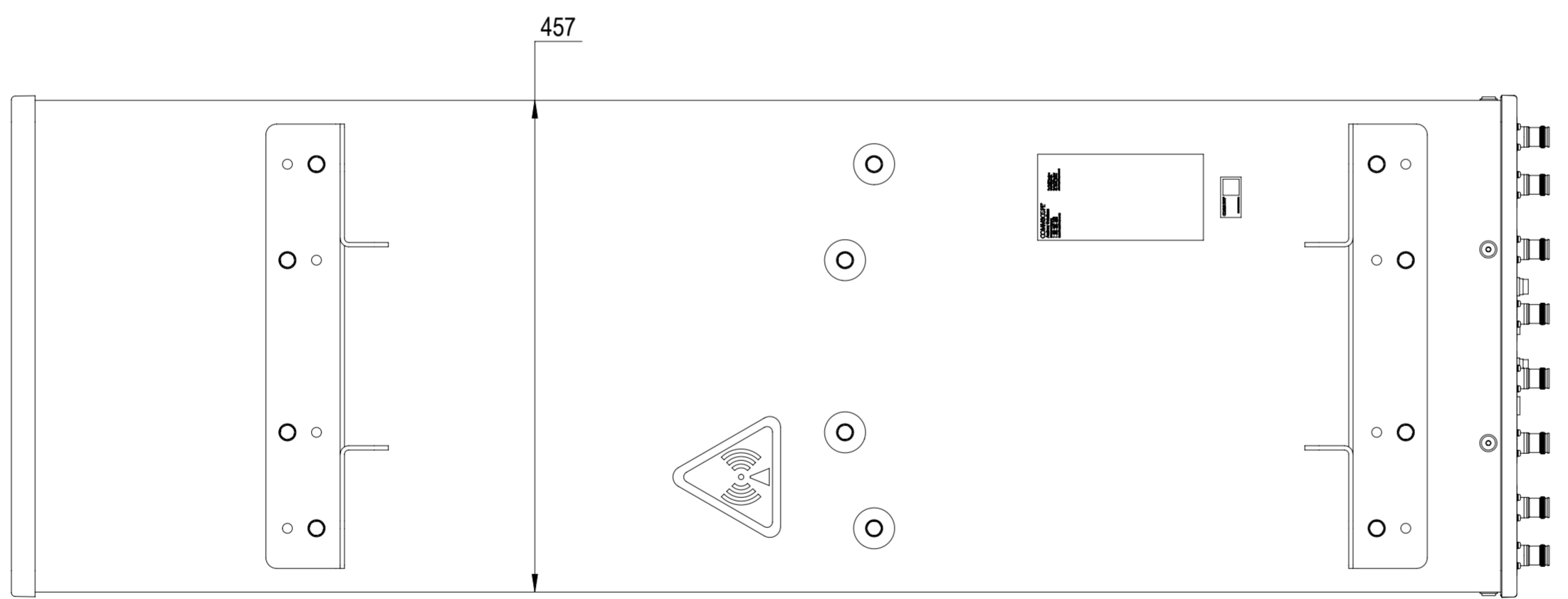
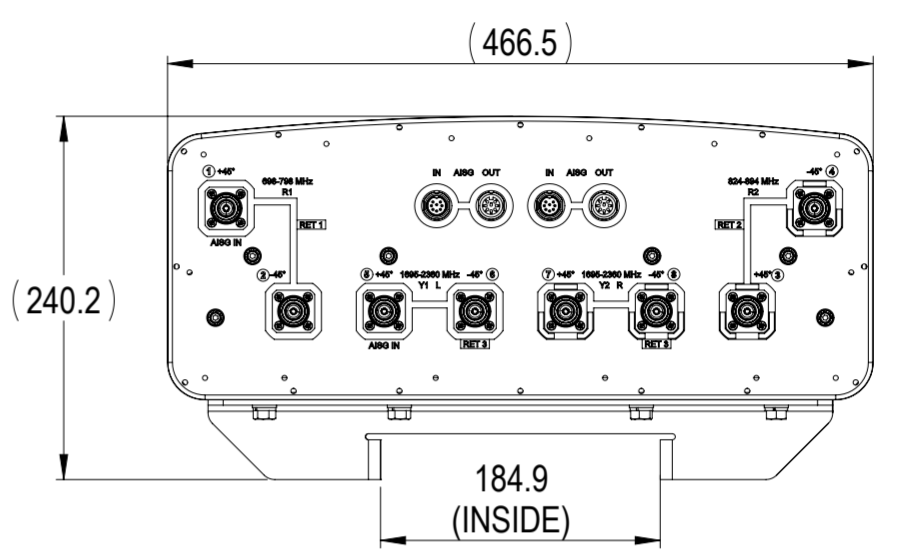
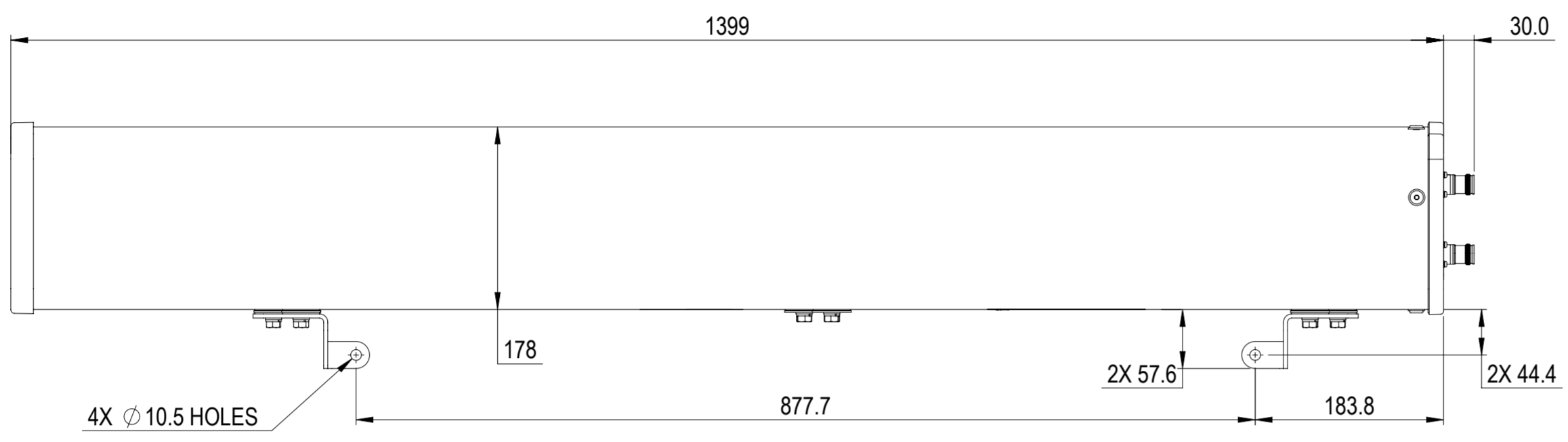


REVISIONS			
REV.	DESCRIPTION	DATE	APPROVED
A	ECR 8000017260: REL TO PRODCUTION PER EAO 603492.	04MAY17 NK	HW / HHCHEN



JAHH-45A-R3B

COMMSCOPE, INC. OF NORTH CAROLINA

TOLERANCES		SAP MATERIAL MASTER	
0 PLACE X ±	2 PLACE .XX ±		
1 PLACE .X ±	ANGLES ±		
FINISH N/A		MATERIAL N/A	
<small>UNLESS OTHERWISE SPECIFIED DIMENSIONS ARE IN MILLIMETERS INTERPRET PER ISO STANDARDS HANDBOOK TECHNICAL DRAWINGS VOLUMES 1 & 2, THIRD EDITION (2002)</small>		NAME	DATE
		CE NK	04MAY17
		RW XK1001	05/10/2017
		RV WH1035	05/10/2017
		AD HHCHEN	05/11/2017
RE BYUAN	05/11/2017	TITLE	
ECN 8000017260-O		PRODUCT DRAWING	
SCALE 1:5		DOCUMENT NO. JAHH-45A-R3B-L	

DENSITY	g/mm ³
MASS	grams
VOLUME	mm ³
SURFACE AREA	mm ²
HEIGHT	
LENGTH	
WIDTH	

© 2017 CommScope, Inc.

SIZE A2	WORK AREA 23	MODEL	SCALE 1:5	DOCUMENT NO. JAHH-45A-R3B-L
VERSION 00	STATUS RE	REVISION A	VERSION 00	STATUS RE
REVISION A	VERSION 00	STATUS RE	REVISION A	SHEET 1 OF 1