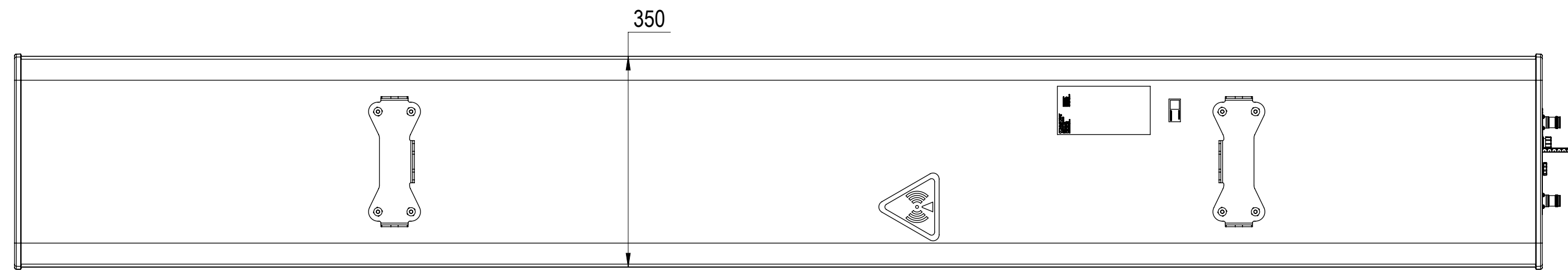
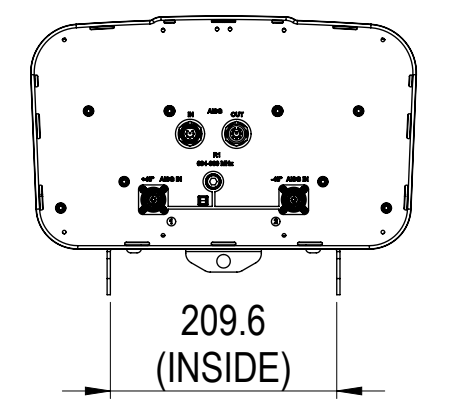
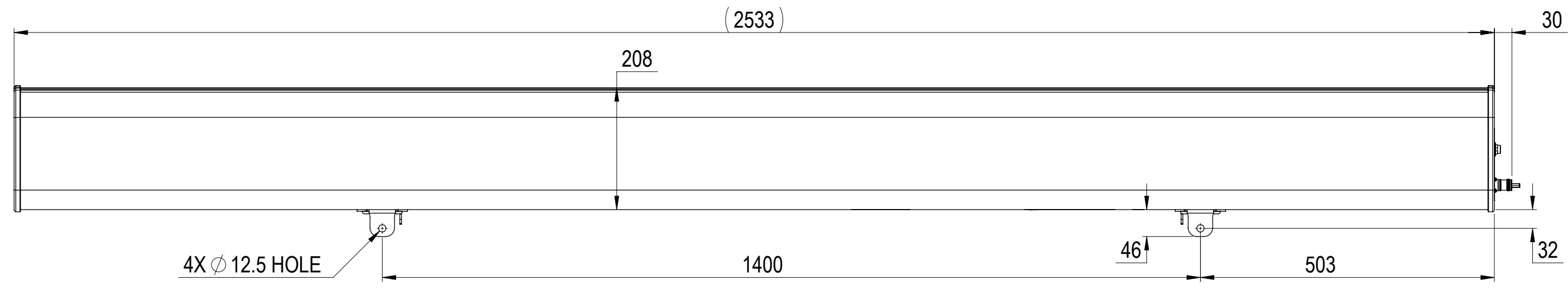


REVISIONS			
REV.	DESCRIPTION	DATE	APPROVED
A	ECR 8000031929: REL TO PRODUCTION PER EAO 605900.	19OCT18 RK	MP/SH



RPX310B-T2H

COMMScope, INC. OF NORTH CAROLINA

TOLERANCES		SAP MATERIAL MASTER	
0 PLACE X ±	2 PLACE .XX ±		
1 PLACE .X ±	ANGLES ±		
FINISH		MATERIAL	
<small>UNLESS OTHERWISE SPECIFIED DIMENSIONS ARE IN MILLIMETERS INTERPRET PER ISO STANDARDS HANDBOOK TECHNICAL DRAWINGS, VOLUMES 1 &amp; 2, THIRD EDITION (2002)</small>		NAME	DATE
		CE RK1070	19OCT18
		RW RK1070	10/23/2018
		RV MP1112	10/24/2018
		AD LP1045	10/24/2018
RE ZHHCHEN	10/24/2018	SCALE 1:7	
ECN 8000031929-O		DOCUMENT NO. RPX310B-T2H-L	
SIZE	WORK AREA	23	MODEL
A2		VERSION	STATUS
		00	RE
DRAWING		VERSION	STATUS
REVISION		A	00
REVISION		A	RE
REVISION		A	RE
			SHEET
			1 OF 1

DENSITY	g/mm <sup>3</sup>
MASS	grams
VOLUME	mm <sup>3</sup>
SURFACE AREA	mm <sup>2</sup>
HEIGHT	
LENGTH	
WIDTH	

© 2018 CommScope, Inc.