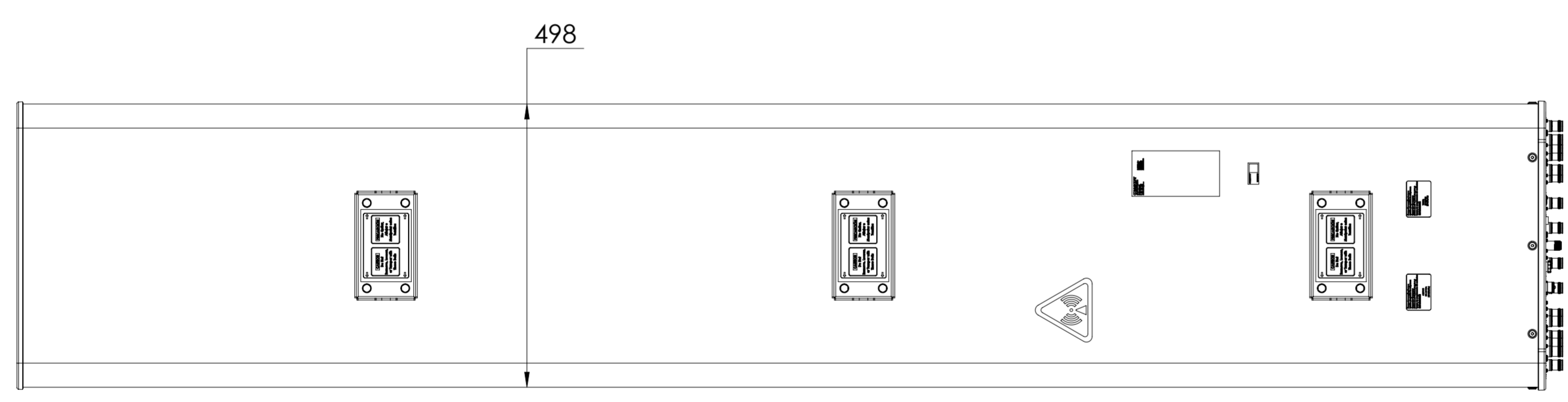
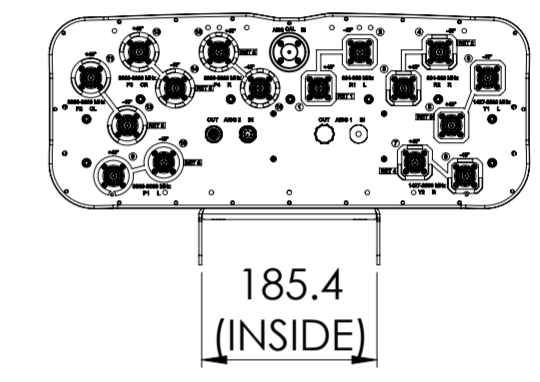
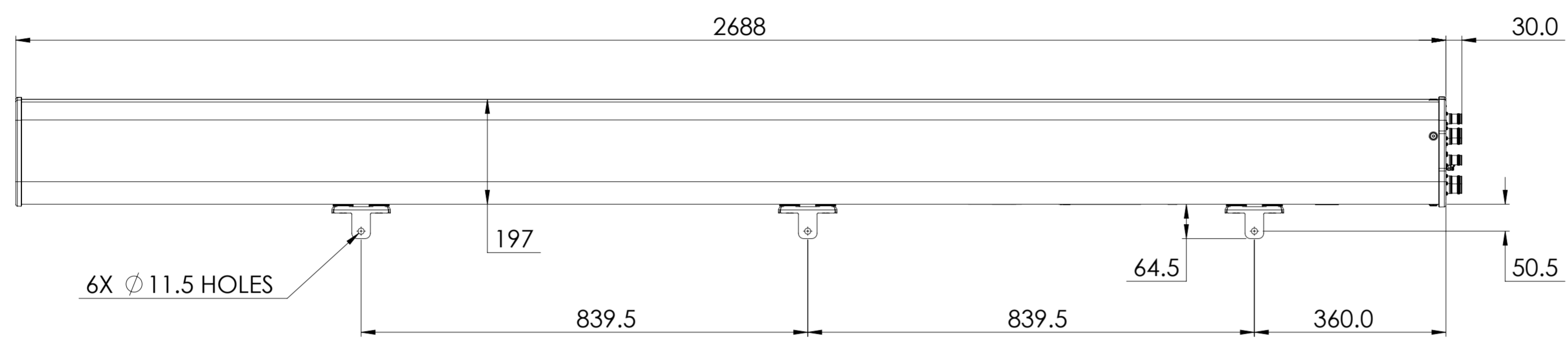


REVISIONS			
REV.	DESCRIPTION	DATE	APPROVED
A	ECR 8000028471: REL TO PRODUCTION PER EAO 604760.	16JAN19 ZYL	YCLI/SINOW



RRZZS4-65D-R5

COMMSCOPE, INC. OF NORTH CAROLINA										
TOLERANCES					SAP MATERIAL MASTER					
0 PLACE X ±		2 PLACE .XX ±								
1 PLACE .X ±		ANGLES ±								
FINISH					MATERIAL					
UNLESS OTHERWISE SPECIFIED DIMENSIONS ARE IN MILLIMETERS INTERPRET PER ISO STANDARDS HANDBOOK TECHNICAL DRAWINGS VOLUMES 1 & 2, THIRD EDITION (2002)	NAME	DATE	TITLE							
	CE ZYL	6/22/2018	PRODUCT DRAWING							
	RW HY1019	01/16/2019								
	RV HQ1006	01/23/2019								
	AD JN1049	01/23/2019								
RE BYUAN	01/23/2019									
ECN 8000028471-O			SCALE	DOCUMENT NO.						
			1:8	RRZZS4-65D-R5-L						
SIZE	WORK AREA	23	MODEL			DRAWING				SHEET
A2			VERSION	STATUS	REVISION	VERSION	STATUS	REVISION	1 OF 1	
			00	RE	A	00	RE	A		

DENSITY	g/mm ³
MASS	grams
VOLUME	mm ³
SURFACE AREA	mm ²
HEIGHT	
LENGTH	
WIDTH	

© 2018 CommScope, Inc.