

4

3

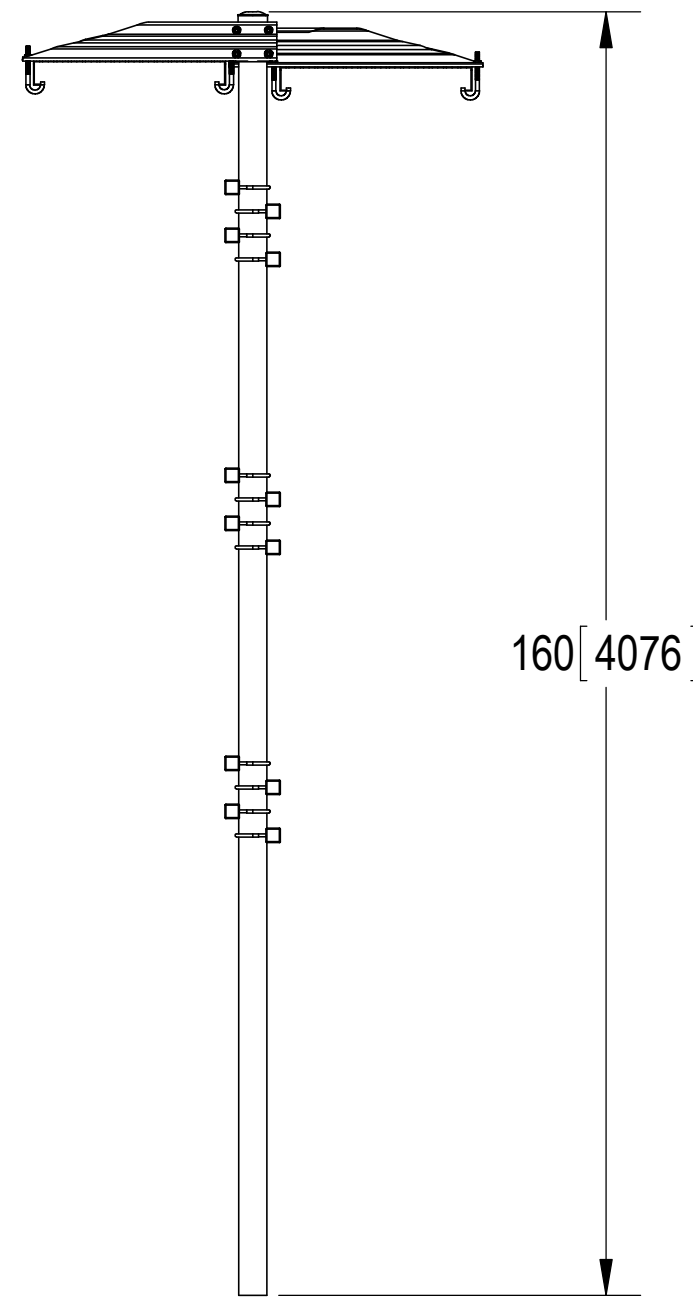
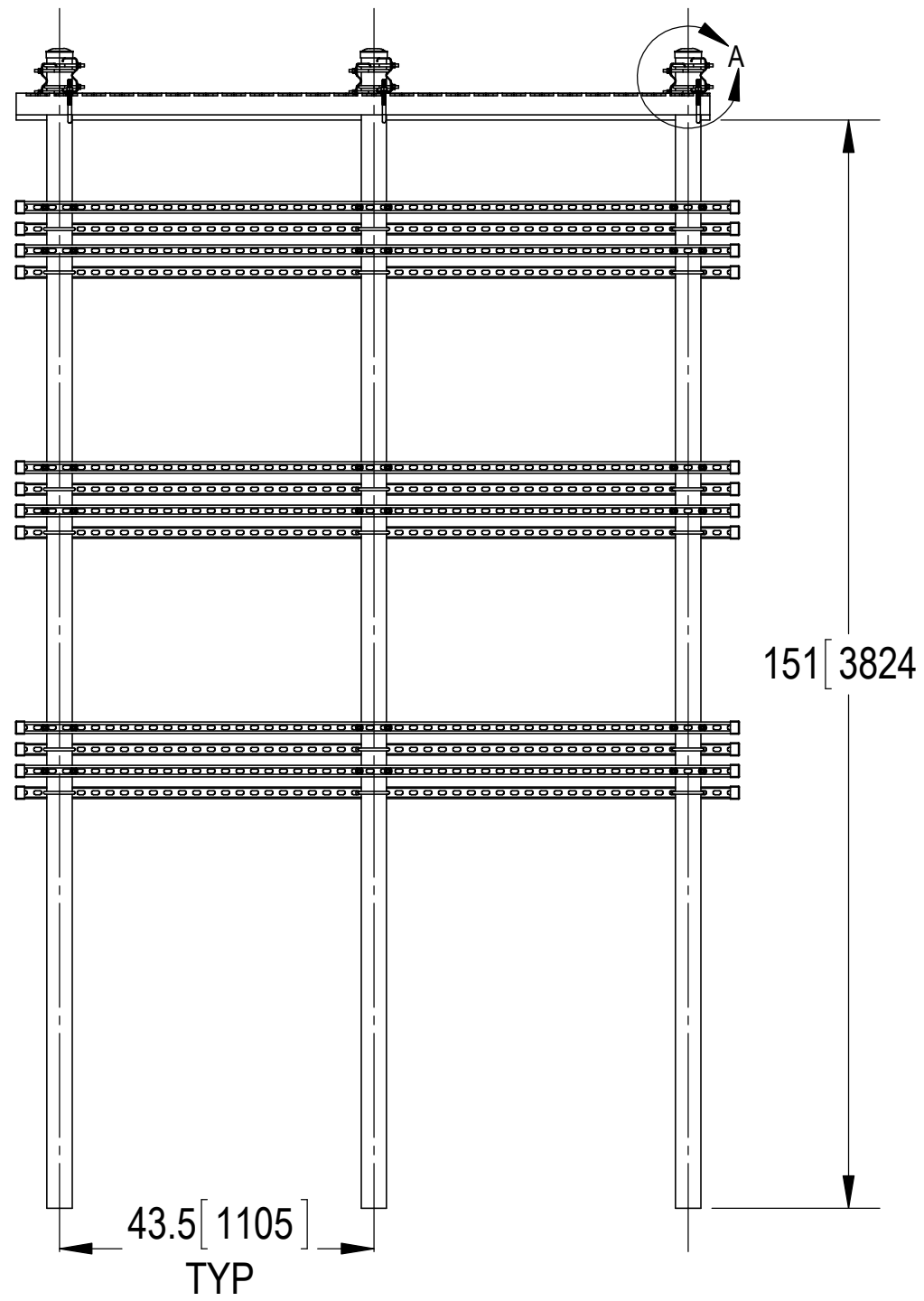
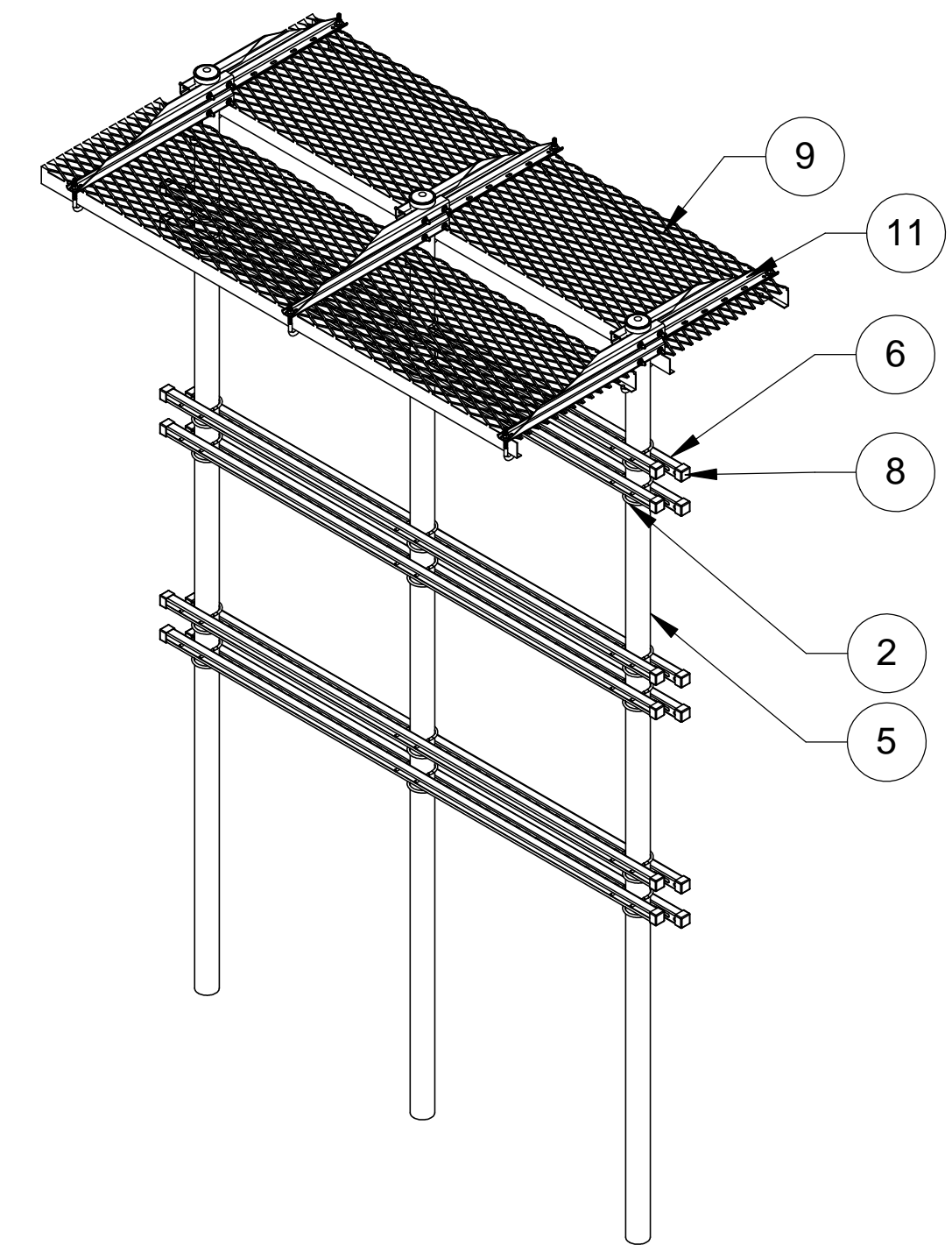
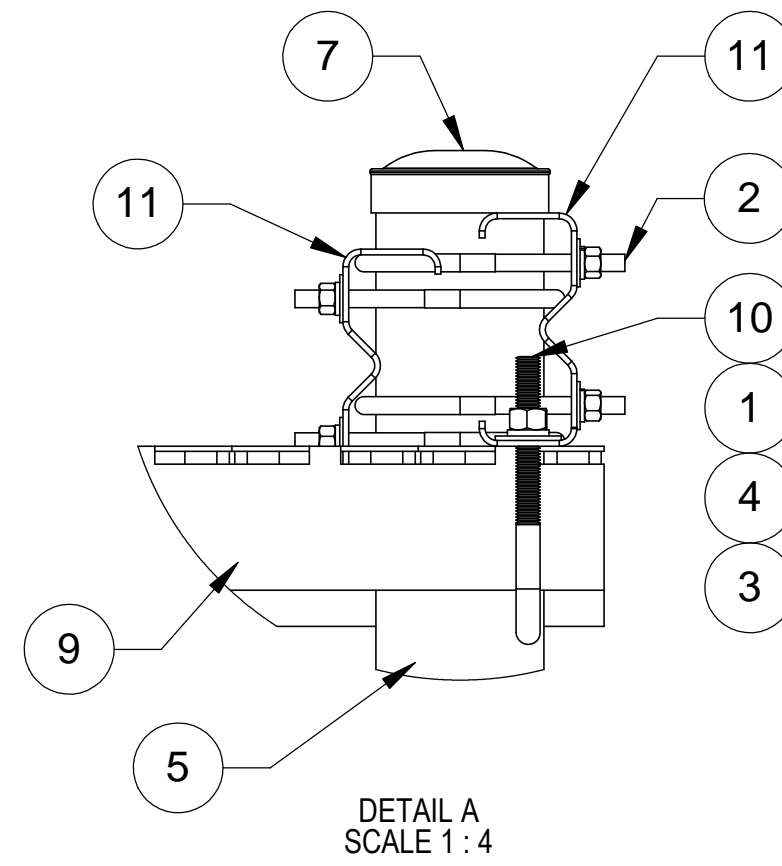
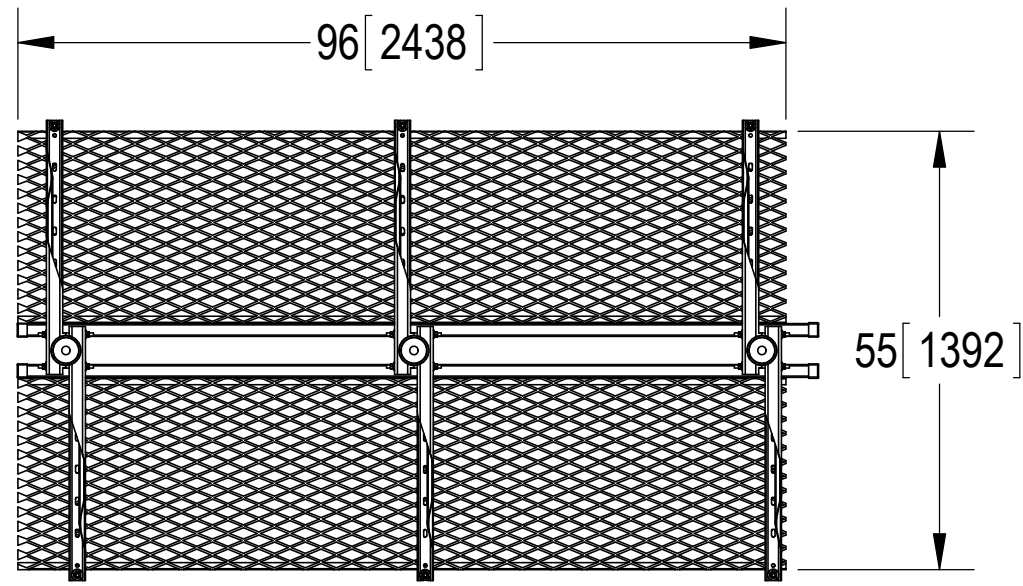
2

1

NOTES:

1.0 ALL METRIC DIMENSIONS ARE IN BRACKETS.

REV.		ECN		REVISIONS		BY	DATE
A		8000028694		INITIAL RELEASE		MRC	03/01/18



ITEM	PART NO.	DESCRIPTION	QTY.	WEIGHT	NOTE NO.
1	GN-04	1/2" GALV HEX NUT	12	0.04 LBS	
2	GUB-3355	3/8" X 3-5/8" X 5-1/4" GALV U-BOLT	48	0.40 LBS	
3	GWF-04	1/2" GALV FLAT WASHER	12	0.03 LBS	
4	GWL-04	1/2" GALV LOCK WASHER	12	0.01 LBS	
5	MF130165	3-1/2" O.D. X 160" L SCH 40 PIPE	3	78.64 LBS	
6	MT504100	UNISTRUT, 100" LENGTH	12	14.47 LBS	
7	PC-034	Ø 3 1/2" PIPE CAP	3	0.54 LBS	
8	PTCR01	END CAP	24	0.05 LBS	
9	WB-CY2496	SAFETY GRATED WAVEGUIDE BRIDGE CHANNEL, 24 X 96	2	39.51 LBS	
10	WBJB6	1/2" J-BOLT	12	0.41 LBS	
11	WBLB24308	24" WAVEGUIDE BRIDGE SUPPORT BRACKET	6	7.14 LBS	

COMMScope, INC. OF NORTH CAROLINA

TOLERANCES		SAP MATERIAL MASTER	
0 PLACE X ± .25	2 PLACE .XX ± .06	<b>MTC401596HC</b>	
1 PLACE .X ± .12	ANGLES ± 2°	MATERIAL	
FINISH		A500, A568, A1011	
GALV A123			
UNLESS OTHERWISE SPECIFIED DIMENSIONS ARE IN MILLIMETERS INTERPRET PER ISO STANDARDS HANDBOOK TECHNICAL DRAWINGS VOLUMES 1 & 2, THIRD EDITION (2002)	NAME	DATE	TITLE
	CE MRC	11/14/17	H-FRAME, 3 POSTS, 12 UNISTRUTS, COVERED
	RW		
	RV		
	AD		
	RE TP	11/14/17	SCALE DOCUMENT NO.
	ECN 8000028694	1:24	MTC401596HC
SIZE	WORK AREA	MODEL	DRAWING
C		VERSION	STATUS
		REVISION	VERSION
		STATUS	REVISION
			A
			SHEET 1 OF 1

DENSITY	0.28	lbs/in <sup>3</sup>
MASS	562.87	lbs
VOLUME	2000.06	in <sup>3</sup>
SURFACE AREA		in <sup>2</sup>
HEIGHT		
LENGTH		
WIDTH		