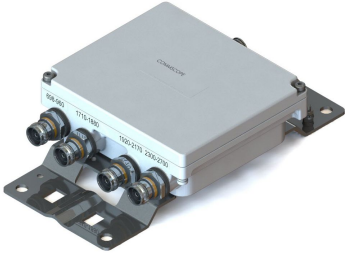


E14F15P19



Ultra Compact Single Quadplexer 698-960/1800/2100/2600, with 4.3-10 connectors

- Ideal for small cell applications
- Compact form factor with reduced size and weight
- Suitable for space limited applications like Metro Cell, Lamp Pole, Concealment Solution and Macro Site
- New 4.3-10 connectors for improved PIM performance and size reduction
- Single configuration

Product Classification

Product Type Quadplexer

General Specifications

Product Family CBC7182126

Color Gray

Common Port Label PORT 0 COM

Modularity 1-Single

Mounting Pole | Wall

Mounting Pipe Hardware Band clamps (2)

RF Connector Interface 4.3-10 Female

RF Connector Interface Body Style Medium neck

Dimensions

Height 45 mm | 1.772 in

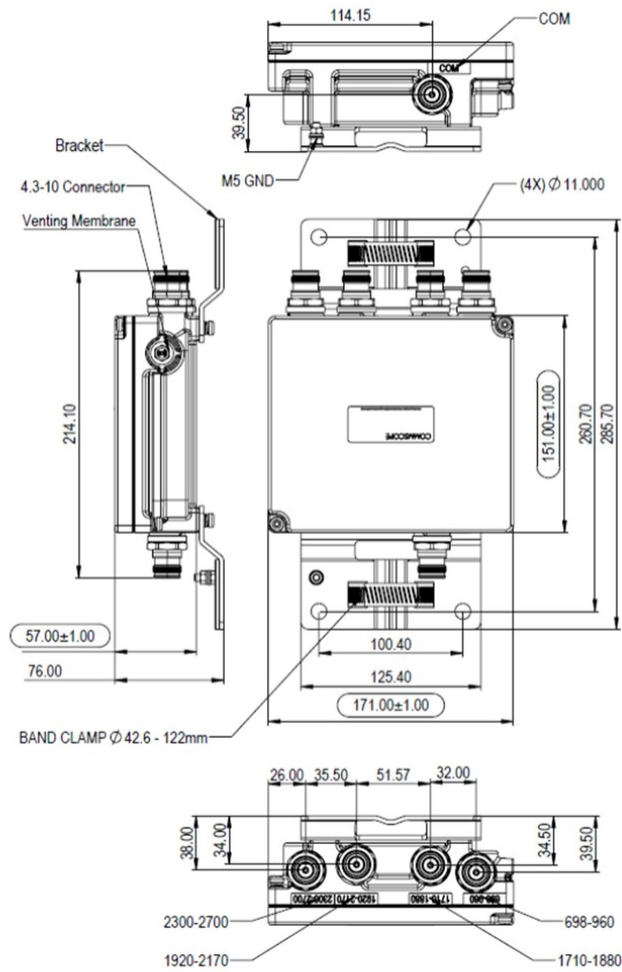
Width 151 mm | 5.945 in

Depth 171 mm | 6.732 in

Mounting Pipe Diameter Range 42.6–122 mm

Outline Drawing

E14F15P19



Electrical Specifications

Impedance	50 ohm
License Band, Band Pass	APT 700 AWS 2000 CEL 850 CEL 900 DCS 1800 EDD 800 IMT 2100 IMT 2600 LMR 800 LMR 900 PCS 1900 TDD 2600

Electrical Specifications, dc Power/Alarm

dc/AISG Pass-through Method	Factory set
dc/AISG Pass-through Path	Branch 1
dc/AISG Pass-through, combiner	Branch 1
dc/AISG Pass-through, demultiplexer	Branch 1
Lightning Surge Current	5 kA
Lightning Surge Current Waveform	8/20 waveform

E14F15P19

Electrical Specifications, AISG

AISG Carrier 2176 KHz \pm 100 ppm

Electrical Specifications

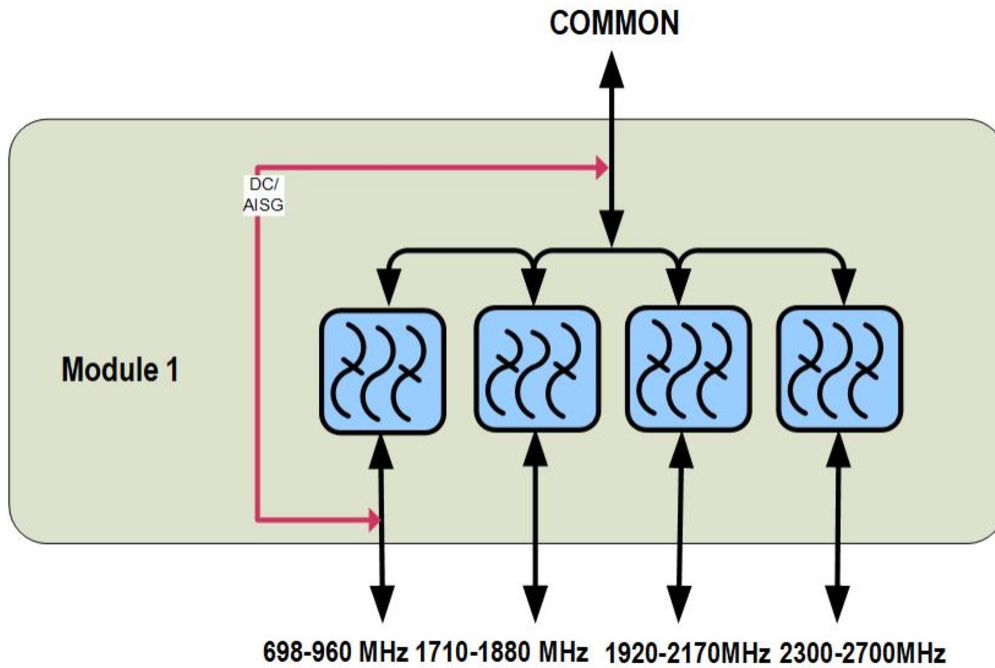
Sub-module	1 2	1 2	1 2	1 2
Branch	1	2	3	4
Port Designation	PORT 1 698-960	PORT 2 1710-1880	PORT 3 1920-2170	PORT 4 2300-2700
License Band	CEL 850, Band Pass CEL 900, Band Pass EDD 800, Band Pass LMR 800, Band Pass LMR 900, Band Pass	DCS 1800, Band Pass	IMT 2100, Band Pass AWS 2000, Band Pass PCS 1900, Band Pass	TDD 2300, Band Pass IMT 2600, Band Pass TDD 2600, Band Pass

Electrical Specifications, Band Pass

Frequency Range, MHz	698–960	1710–1880	1920–2170	2300–2700
Insertion Loss, typical, dB	0.1	0.25	0.3	0.2
Return Loss, typical, dB	22	22	22	22
Isolation, typical, dB	55	38	38	38
Input Power, RMS, maximum, W	125	125	125	125
Input Power, PEP, maximum, W	1200	1200	1200	1200
3rd Order PIM, typical, dBc	-157	-157	-157	-157
3rd Order PIM Test Method	Two +43 dBm carriers	Two +43 dBm carriers	Two +43 dBm carriers	Two +43 dBm carriers

Block Diagram

E14F15P19



Material Specifications

Finish Painted

Mechanical Specifications

Wind Speed, maximum 216 km/h | 134.216 mph

Environmental Specifications

Operating Temperature -40 °C to +65 °C (-40 °F to +149 °F)

Relative Humidity 15%–100%

Corrosion Test Method IEC 60068-2-11, 30 days

Ingress Protection Test Method IEC 60529:2001, IP67

Vibration Test Method IEC 60068-2-6

Packaging and Weights

Included Mounting hardware

Volume 1.2 L

Weight, net 1.6 kg | 3.527 lb