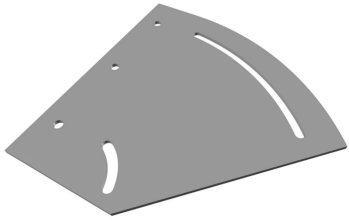


MT-F1597



Adjustable Splice for Bridge Kit for 12 coaxial cable runs

Product Classification

Product Type Splice kit

General Specifications

Cable Runs, quantity 12

Mounting Rooftop bridge kits

Dimensions

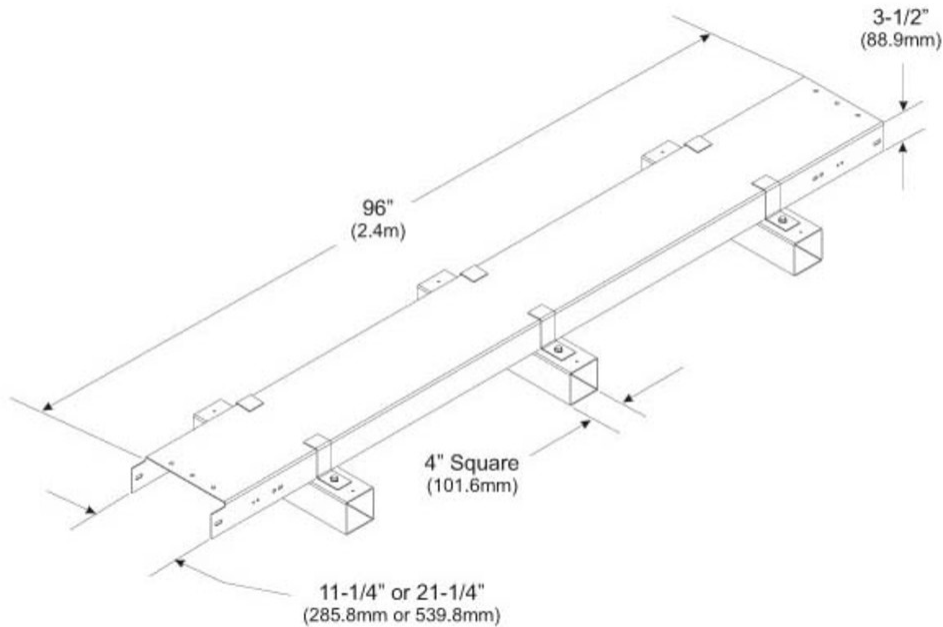
Height 25.4 mm | 1 in

Width 838.2 mm | 33 in

Length 838.2 mm | 33 in

MT-F1597

Outline Drawing



Material Specifications

Material Type Galvanized steel

Mechanical Specifications

Wind Rating For Specifications, please contact steelproducts@commscope.com or call 800-255-1479

Packaging and Weights

Included Hardware | Splices

Packaging quantity 1

Weight, net 9 kg | 19.842 lb

Regulatory Compliance/Certifications

Agency	Classification
ISO 9001:2015	Designed, manufactured and/or distributed under this quality management system

* Footnotes

MT-F1597

Wind Rating

BWS—Base Wind Speed; FBC—Florida Building Code