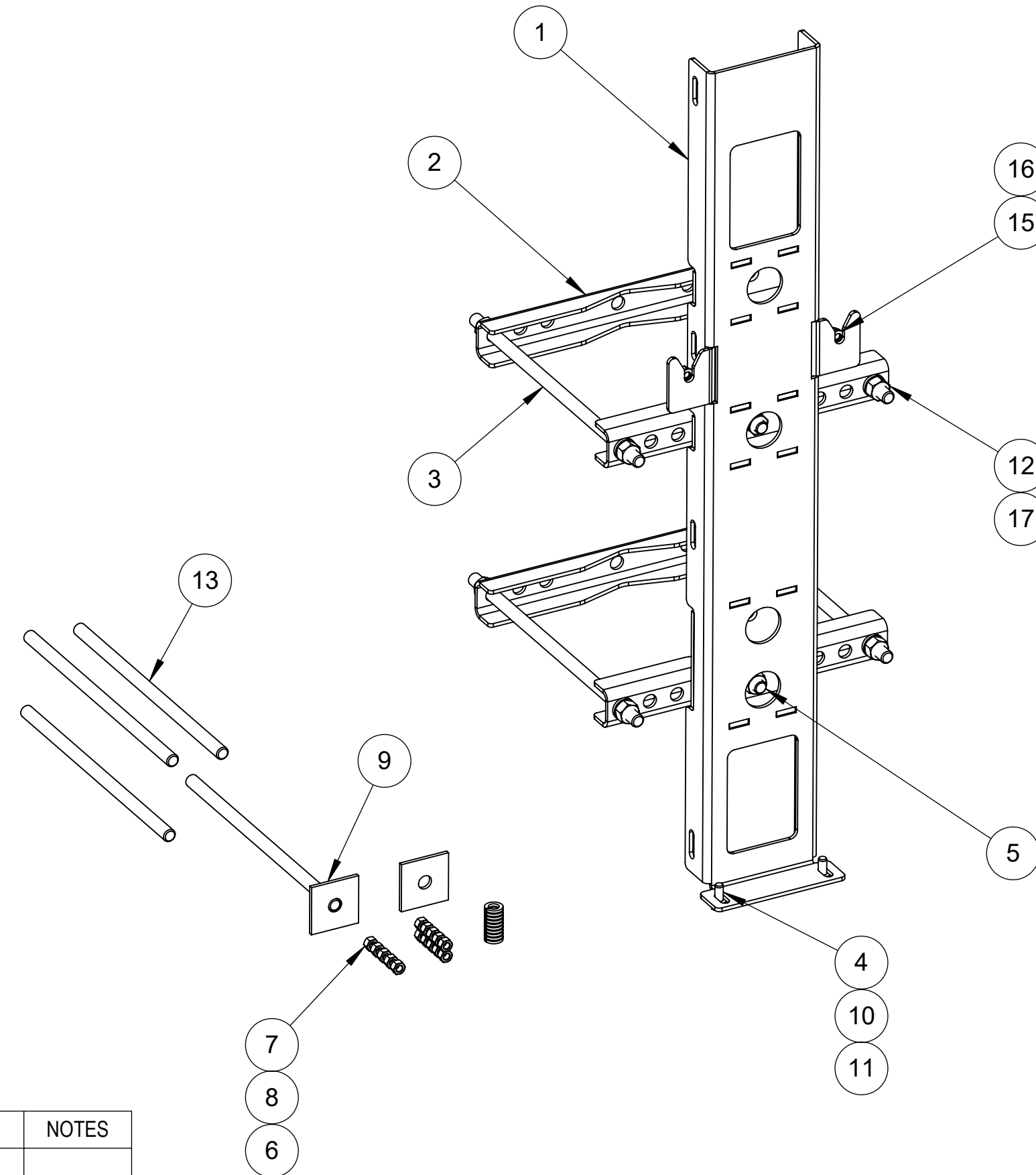


- 1.0 GENERAL NOTES
  - 1.1 ALL METRIC DIMENSIONS ARE IN BRACKETS.
  - 1.2 CRITICAL TO QUALITY INDICATED BY (XX).
- 2.0 DESIGN NOTES -
  - 2.1 CLAMPS FIT ROUND POLES 2.38"- 10.75" OD.
  - 2.2 ALL-THREAD TO GO THROUGH WOOD POLES UP TO 11"OD.
- 3.0 MANUFACTURING/SPECIAL REQUIREMENTS
- 4.0 TEST
- 5.0 PACKAGING
  - 5.1 PACKAGING SHALL MEET COMMSCOPE REQUIREMENTS PER DOCUMENT IS-PL-3005, COMM-PL-2044, BX SERIES
  - 5.2 PLACE ITEMS IN POLYBAG
  - 5.3 PRINT THIS DOCUMENT AND PLACED IN BOX FOR CUSTOMER REFERENCE
  - 5.4 REFERENCE DOCUMENT PACK-MTM1117-6000-XX FOR PACKAGING REQUIREMENTS

REVISIONS				
REV.	ECN	DESCRIPTION	BY	DATE
A	8000043460	INITIAL RELEASE	GR1010	10/20/2020
B	10790PC	TALLER PMB	GR1010	03/25/2021
C	10790PC	ADD 10.75 CONFIG	GR1010	03/29/2021
D	13932PC	ADD PACKAGING	TN1010	07/15/2021



ITEM NO.	PART NUMBER	DESCRIPTION	QTY	NOTES
1	MTM1117-6200-XX	WELDMENT,ENCLOSURE POLE MOUNT,MV2	1	
2	MTM1117-6103-XX	BRACKET,CLAMP,ENCL,4.5"-10.75" OD,MV2	4	
3	MT-382-16	5/8" X 16" GALV THREADED ROD	4	
4	MTC9416	M10 X 25mm HEX BOLT SS	2	
5	GB-05145	5/8" X 1-1/2" GALV BOLT KIT	2	
6	GWL05HB10	BAG OF 10EA GWL-05	1	
7	GN05HB5	BAG OF 5EA OF GN05	1	
8	GN05HB10	BAG OF 10EA OF GN05	1	
9	SW-58	BACKING PLATE, .188" X 2.5" X 2.5" W/ 11	2	5.2
10	MTC978706	M10 Stainless Steel Flat Washer	2	5.2
11	MTC978704	M10 SS LOCK WASHER	2	5.2
12	GN-05	5/8" GALV HEX NUT	8	5.2
13	MT-382-14	5/8" X 14" GALV THREADED ROD	4	
14	REFERENCE DOCUMENT	INSTALLATION INSTRUCTION	1	5.3
15	SWL-03	3/8" SS LOCK WASHER	2	
16	SN-03	3/8" SS NUT	2	
17	GWL-05	5/8" GALV LOCK WASHER	8	

**COMMSCOPE, INC. OF NORTH CAROLINA**

TOLERANCES		SAP MATERIAL MASTER	
1 PLACE .X± NA	3 PLACE .XXX± NA	<b>MTM1117-6000-XX</b>	
2 PLACE .XX± NA	ANGLES ± NA		
FINISH NA		MATERIAL SEE BOM	
<small>UNLESS OTHERWISE SPECIFIED DIMENSIONS ARE IN INCHES INTERPRET PER ANSI Y 14.5M-1994</small>		NAME	DATE
		CE GR1010	08/31/2020
		RW TN1010	08/02/2021
		RV	
TITLE		<b>ASSY,ENCLOSURE POLE MOUNT,MV2</b>	
AD JW1064	08/03/2021		
RE TN1010		08/03/2021	
ECN 13932PC		SCALE	DOCUMENT NO.
		<b>1:6</b>	<b>MTM1117-6000-XX</b>
SIZE	WORK AREA	INSL	MODEL
<b>C</b>			VERSION STATUS REVISION
			07 RE G
		DRAWING	
		VERSION STATUS REVISION	VERSION STATUS REVISION
		08 RE D	08 RE D
			SHEET
			1 OF 2

DENSITY		lbs/in <sup>3</sup>
MASS	50.97	lbs
VOLUME	180.00	in <sup>3</sup>
SURFACE AREA	1854.83	in <sup>2</sup>
HEIGHT	NA	
LENGTH	NA	
WIDTH	NA	

4

3

2

1

D

D

C

C

B

B

A

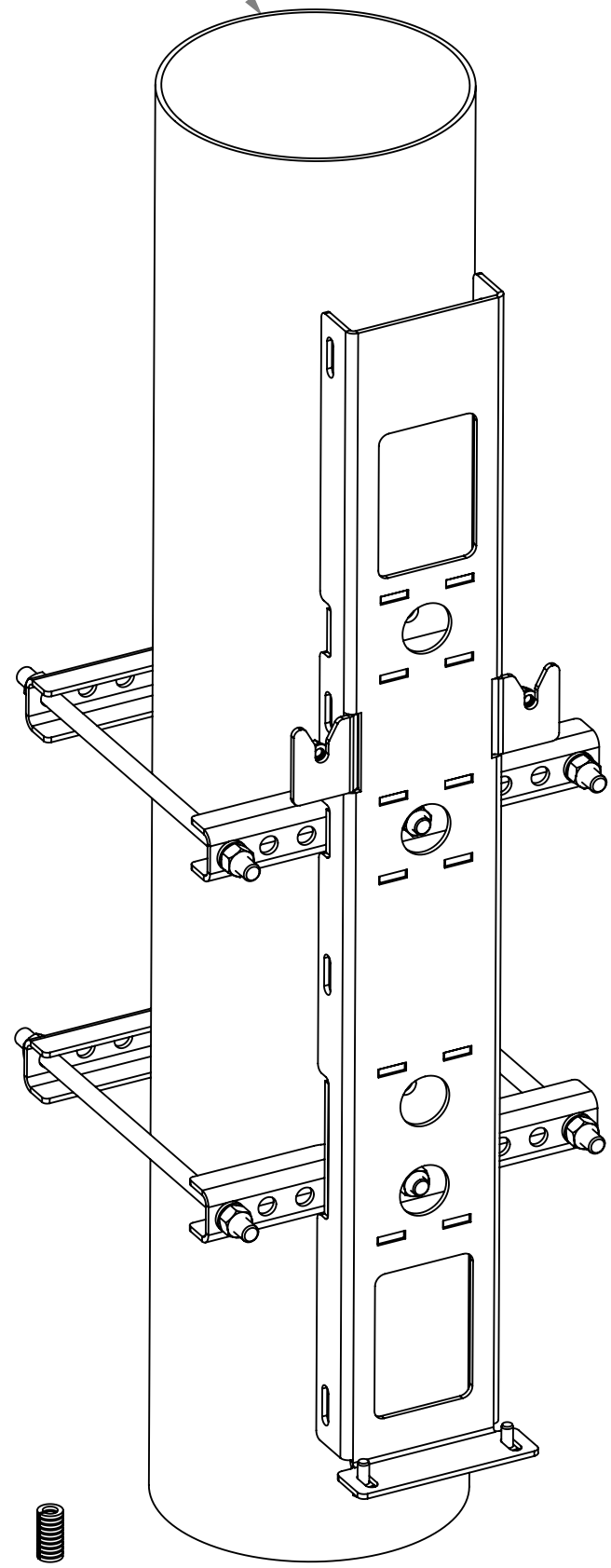
A

Ø 10.75 [273.1]

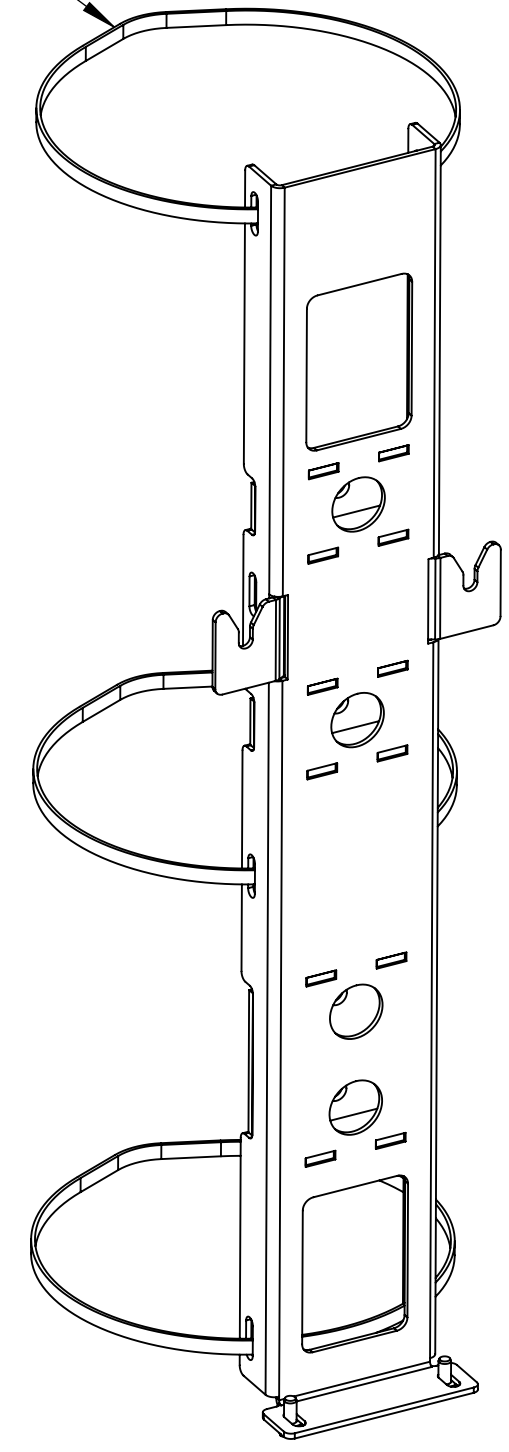
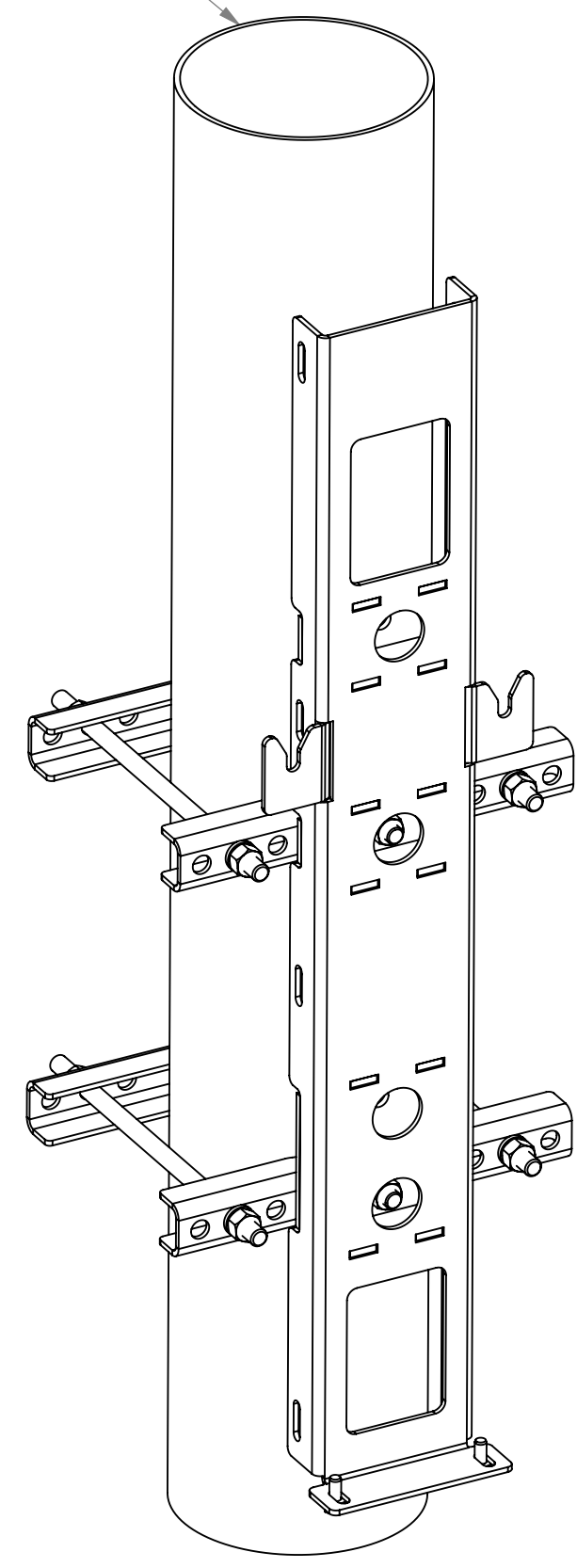
Ø 8.63 [219.2]

Ø 2.38 [60.5]  
THRU  
Ø 4.5 [114.3]

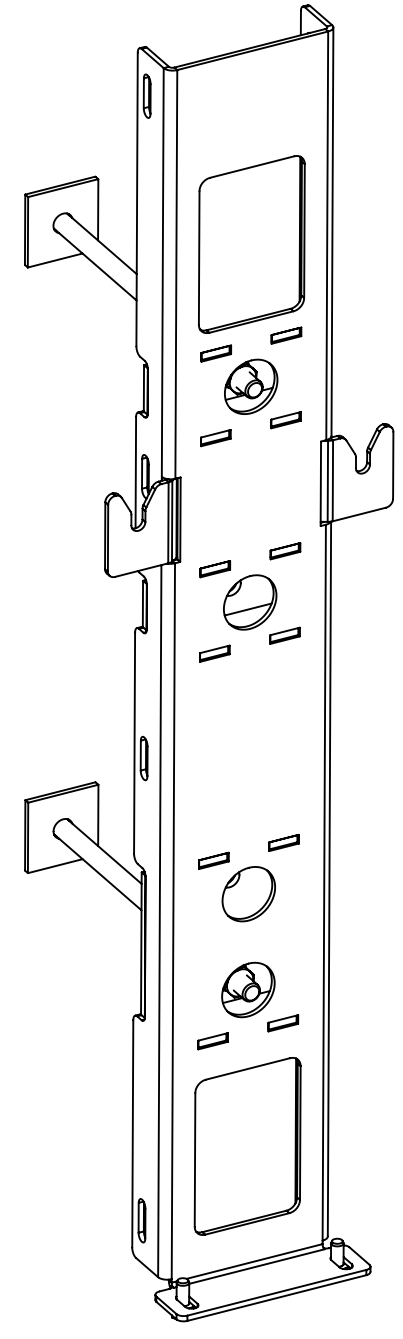
CUSTOMER SUPPLIED  
BANDING




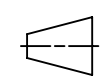
**CLAMPING SETUP**



**BANDING SETUP**



**THROUGH BOLT SETUP**

COMMSCOPE, INC. OF NORTH CAROLINA					
TITLE ASSY,ENCLOSURE POLE MOUNT,MV2					
SIZE <b>C</b>	SCALE <b>1:6</b>	DOCUMENT NO. MTM1117-6000-XX			
 		DRAWING			SHEET 2 OF 2
		VERSION 08	STATUS RE	REVISION D	

© 2021 CommScope, Inc.

4

3

2

1