

4

3

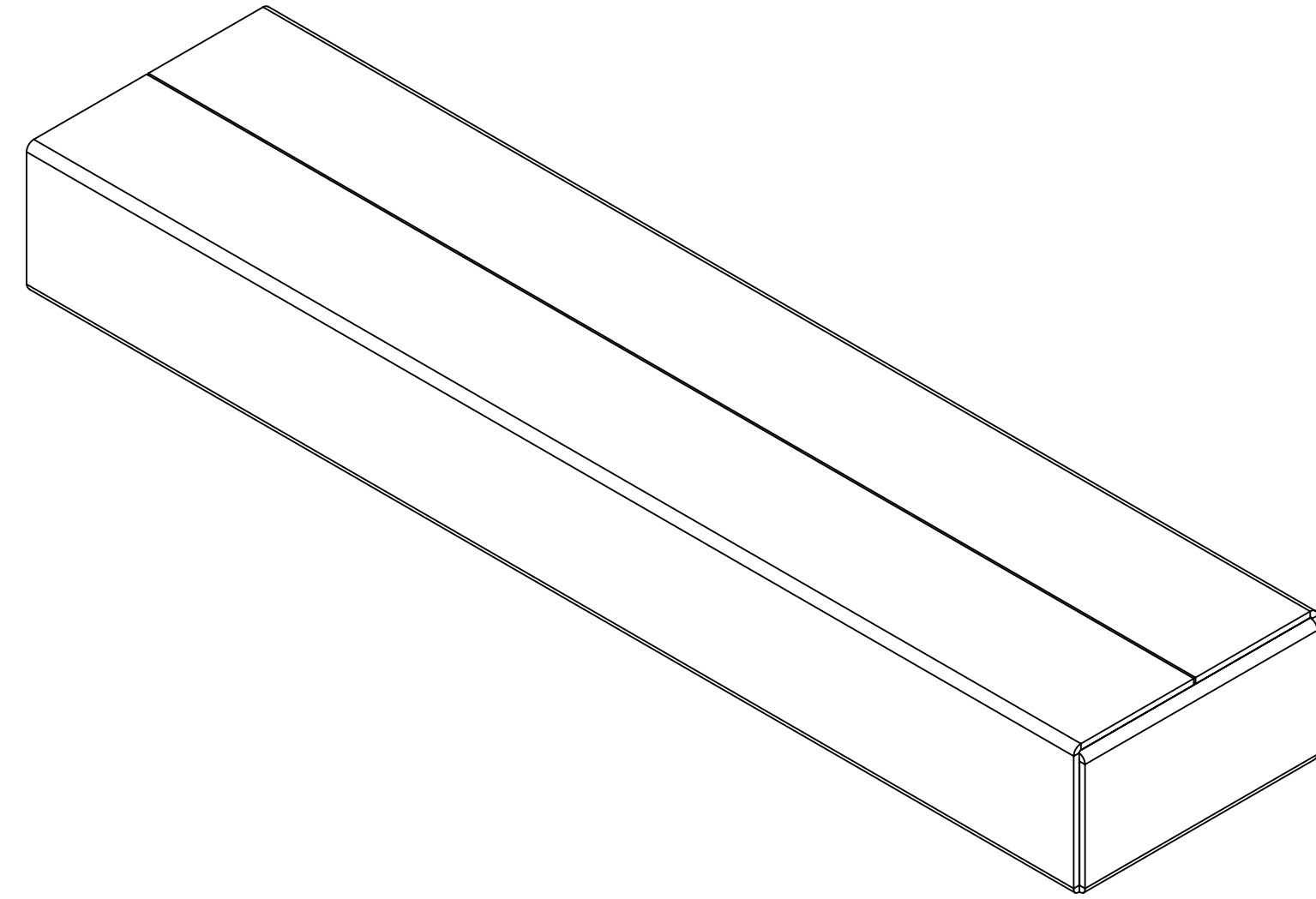
2

1

NOTES:

- 1.0 GENERAL NOTES
  - 1.1 ALL METRIC DIMENSIONS ARE IN BRACKETS.
  - 1.2 CRITICAL TO QUALITY INDICATED BY (XX).
- 2.0 DESIGN NOTES -
  - 2.1 CLAMPS FIT ROUND POLES 2.38" - 8.63" OD.
  - 2.2 ALL-THREAD TO GO THROUGH WOOD POLES UP TO 11"OD.
- 3.0 MANUFACTURING/SPECIAL REQUIREMENTS
  - 3.1 THIS TABLE IS FOR US45 ONLY.
- 4.0 TEST
- 5.0 PACKAGING

REVISIONS				
REV.	ECN	DESCRIPTION	BY	DATE
A	8000024742	INITIAL RELEASE	SD	07/25/17
B	8000025979	ADDED -08 FED PARK SERVICE BROWN	SD	09/11/17
C	8000027667	ADDED NOTE FOR FINISH COLOR: MTM1004	HN	1/15/18
E	8000042277	ADDED NOTES 3.1 & 3.2; ADDED TABLE FOR US30 IN ZONES C3 & C4;	LPENG	8/21/20
F	10279PC	UPDATE DRAWING	CIA	24/02/2021



3.1

ITEM	PART NO.	DESCRIPTION	QTY.	NOTE NO.
1	BX360804	BOX, Kraft, 36" x 8" x 4"	1	
2	MTC395901S-xx	ENCLOSURE MOUNT BRACKET WELDMENT	1	4
3	MTC395902S-xx	ENCLOSURE CLAMP BRACKET, 4.5" - 8.63" OD	4	4
4	MT-382-14	5/8" X 14" GALV THREADED ROD	4	
5	GB-05145	5/8" X 1-1/2" GALV BOLT KIT	2	
6	GWL05HB10	BAG OF 10EA GWL-05	1	
7	GN05HB5	BAG OF 5EA OF GN05	1	
8	GN05HB10	BAG OF 10EA OF GN05	1	
9	SW-58	BACKING PLATE, .188" X 2.5" X 2.5" W/ 11/16" HOLE	2	
10	MTC9416	M10 X 25mm HEX BOLT SS	2	
11	MTC978706	SS Washer Flat, M10	2	
12	MTC978704	M10 SS LOCK WASHER	2	
13	100560-1	SCR, BUTTON HD, TR_HEX STOCK, M10X25, SST PASS	2	
14	DOCUMENT RECORD	INSERT DRAWING MTC3959S INTO BOX	1	5

**COMMSCOPE, INC. OF NORTH CAROLINA**

TOLERANCES		SAP MATERIAL MASTER					
1 PLACE .XX ± .25	3 PLACE .XXX ± 0.060	<b>MTC3959S-XX</b>					
2 PLACE .XX ± .12	ANGLES ± 0.5°						
FINISH SEE NOTES		MATERIAL N/A					
<small>UNLESS OTHERWISE SPECIFIED DIMENSIONS ARE IN INCHES INTERPRET PER ANSI Y 14.5M-1994</small>		NAME	DATE				
		CE LPENG	21/08/2020				
		RW CA1022	02/24/2021				
		RV					
TITLE <b>ENCLOSURE POLE MOUNT ASSEMBLY</b>		AD CA1027	04/05/2021				
		RE CA1022	04/05/2021				
ECN 10279PC		SCALE <b>1:8</b>	DOCUMENT NO. <b>MTC3959S</b>				
SIZE		WORK AREA	INSL				
DENSITY 0.28 lbs/in³ MASS 29.17 lbs VOLUME 102.99 in³ SURFACE AREA in² HEIGHT 4 LENGTH 36 WIDTH 8		MODEL					
		DRAWING		SHEET 1 OF 4			
		VERSION	STATUS		REVISION	VERSION	STATUS
<b>C</b>		00	RE	A	02	RE	F

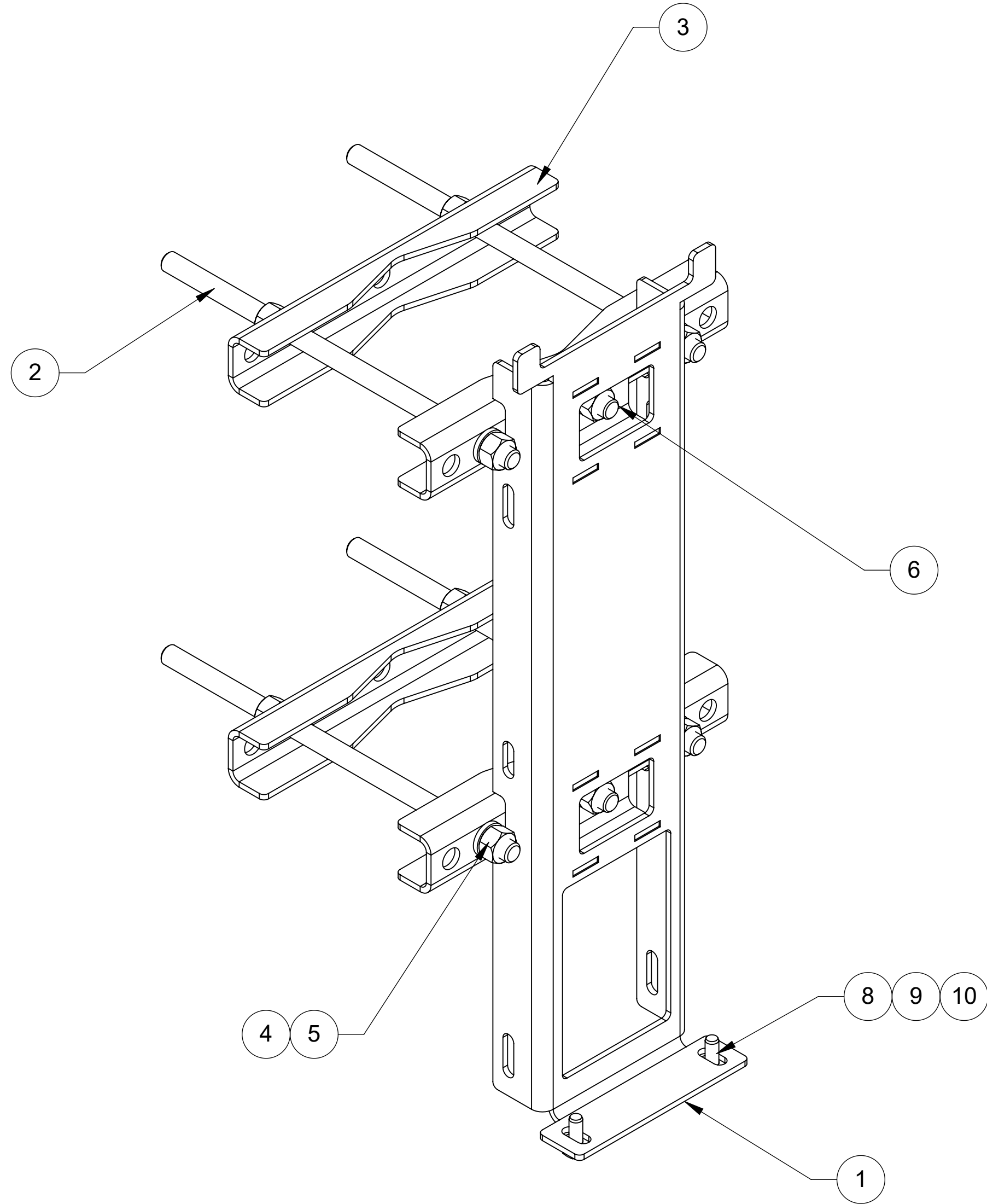
4

3

2

1

NOTES:



BOM FOR CLAMP SET-UP(REFERENCE ONLY)

ITEM	PART NO.	DESCRIPTION	QTY.	NOTE NO.
1	MTC395901S-XX	ENCLOSURE MOUNT BRACKET WELDMENT	1	6
2	MT-382-14	5/8" X 14" GALV THREADED ROD	4	
3	MTC395902S-XX	ENCLOSURE CLAMP BRACKET, 4.5" - 8.63" OD	4	6
4	GWL-05	5/8" GALV LOCK WASHER	8	
5	GN-05	5/8" GALV HEX NUT	12	
6	GB-05145	5/8" X 1-1/2" GALV BOLT KIT	2	
7	SW-58	BACKING PLATE, .188" X 2.5" X 2.5" W/ 11/16" HOLE	1	
8	MTC9416	M10 X 25mm HEX BOLT SS	2	
9	MTC978704	M10 SS LOCK WASHER	2	
10	100521-109	WSHR,FLAT,M10,10.5x20x1.20,SST,PASS	2	

COMMSCOPE, INC. OF NORTH CAROLINA				
TITLE ENCLOSURE POLE MOUNT ASSEMBLY				
SIZE <b>C</b>	SCALE <b>1:3</b>	DOCUMENT NO. <b>MTC3959S</b>		
		DRAWING		SHEET 2 OF 4
		VERSION 02	STATUS RE	

4

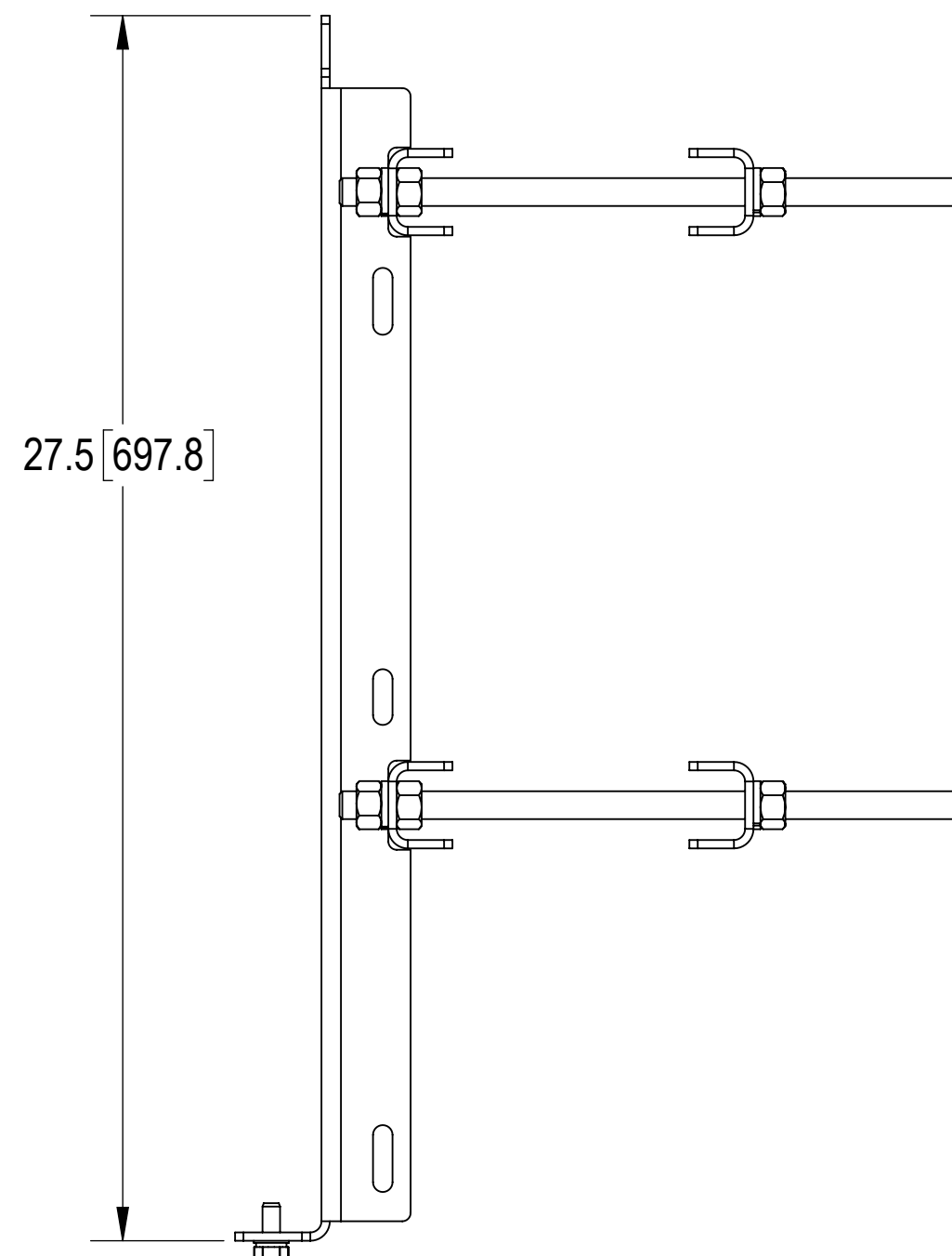
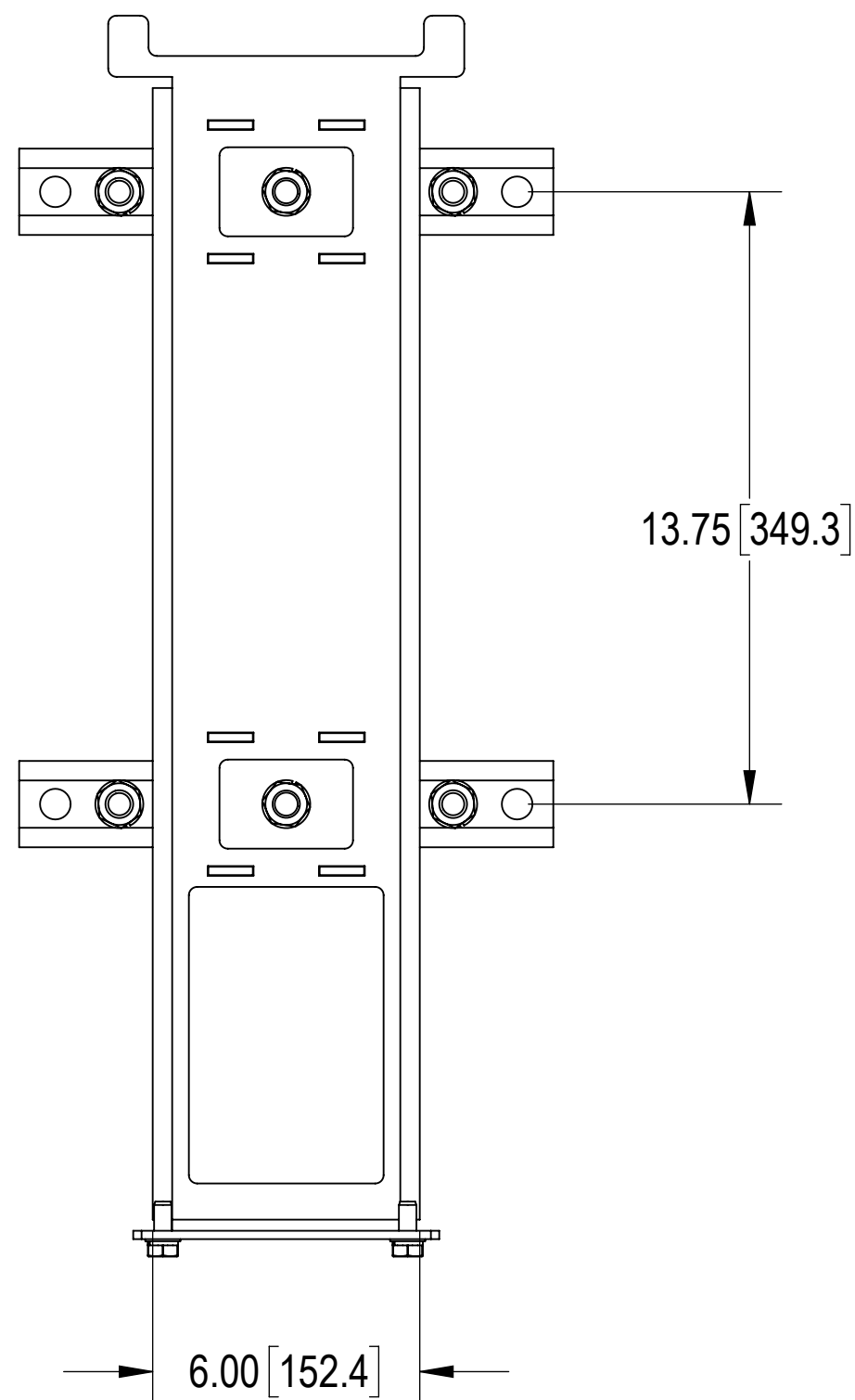
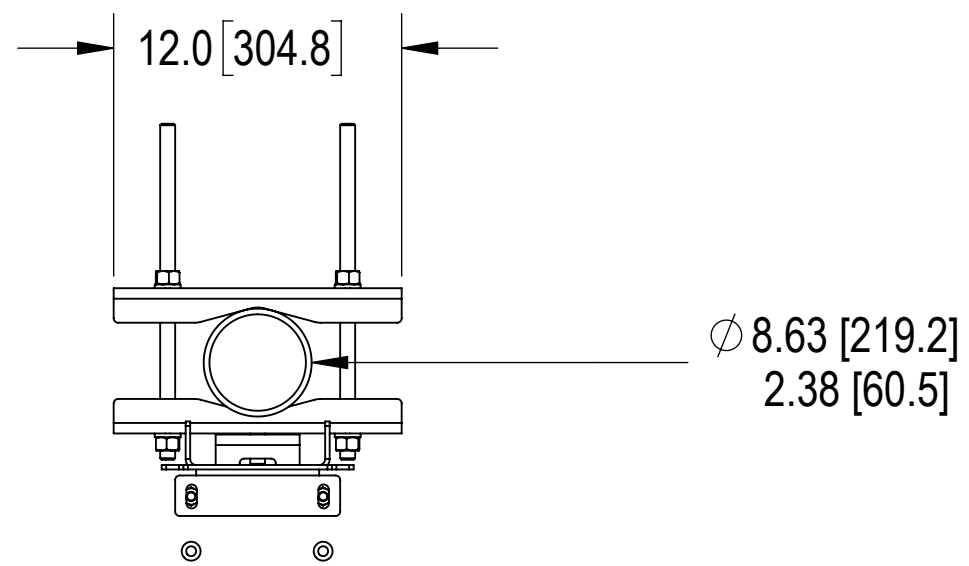
3

2

1

NOTES:

1.0 ALL METRIC DIMENSIONS ARE IN BRACKETS.



COMMSCOPE, INC. OF NORTH CAROLINA					
TITLE ENCLOSURE POLE MOUNT ASSEMBLY					
SIZE <b>C</b>	SCALE <b>1:8</b>	DOCUMENT NO. <b>MTC3959S</b>			
		DRAWING			SHEET 3 OF 4
		VERSION 02	STATUS RE	REVISION F	

© 2020 CommScope, Inc.

4

3

2

1

D

D

C

C

B

B

A

A

4

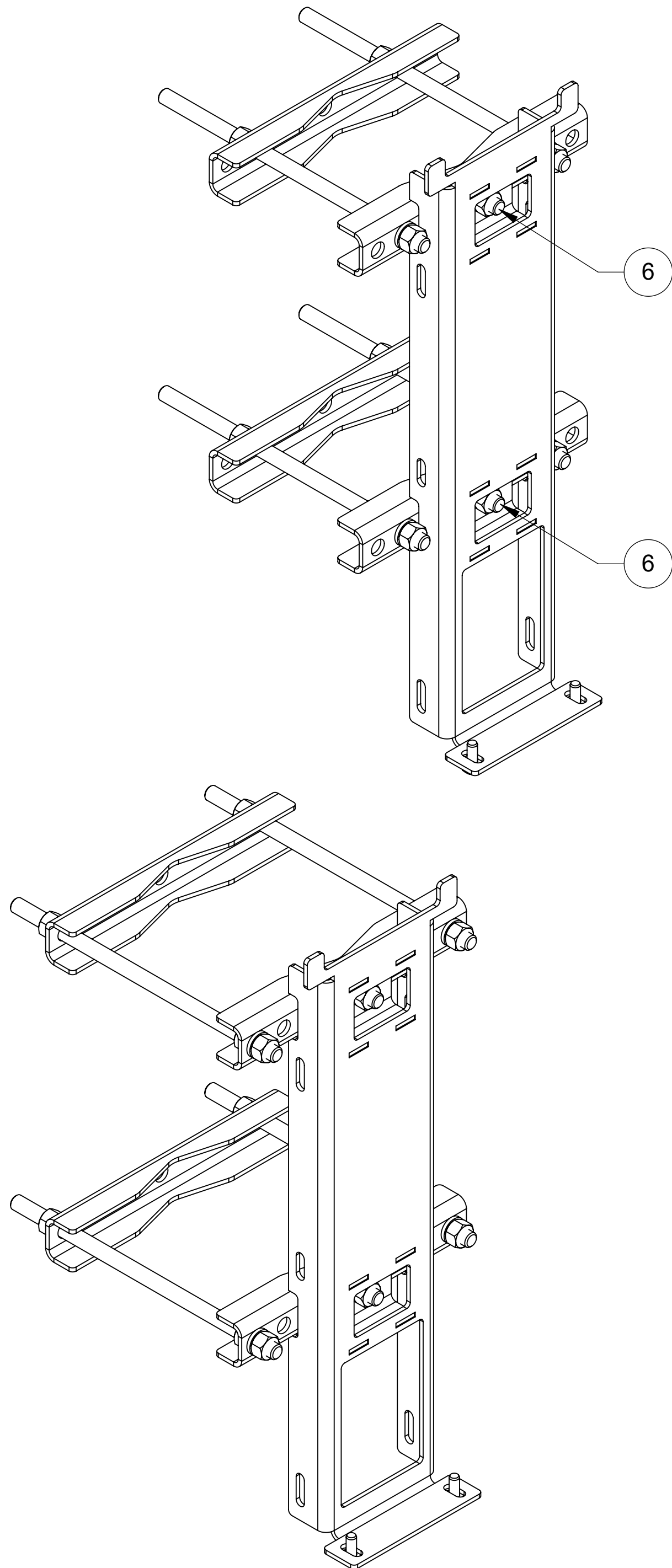
3

2

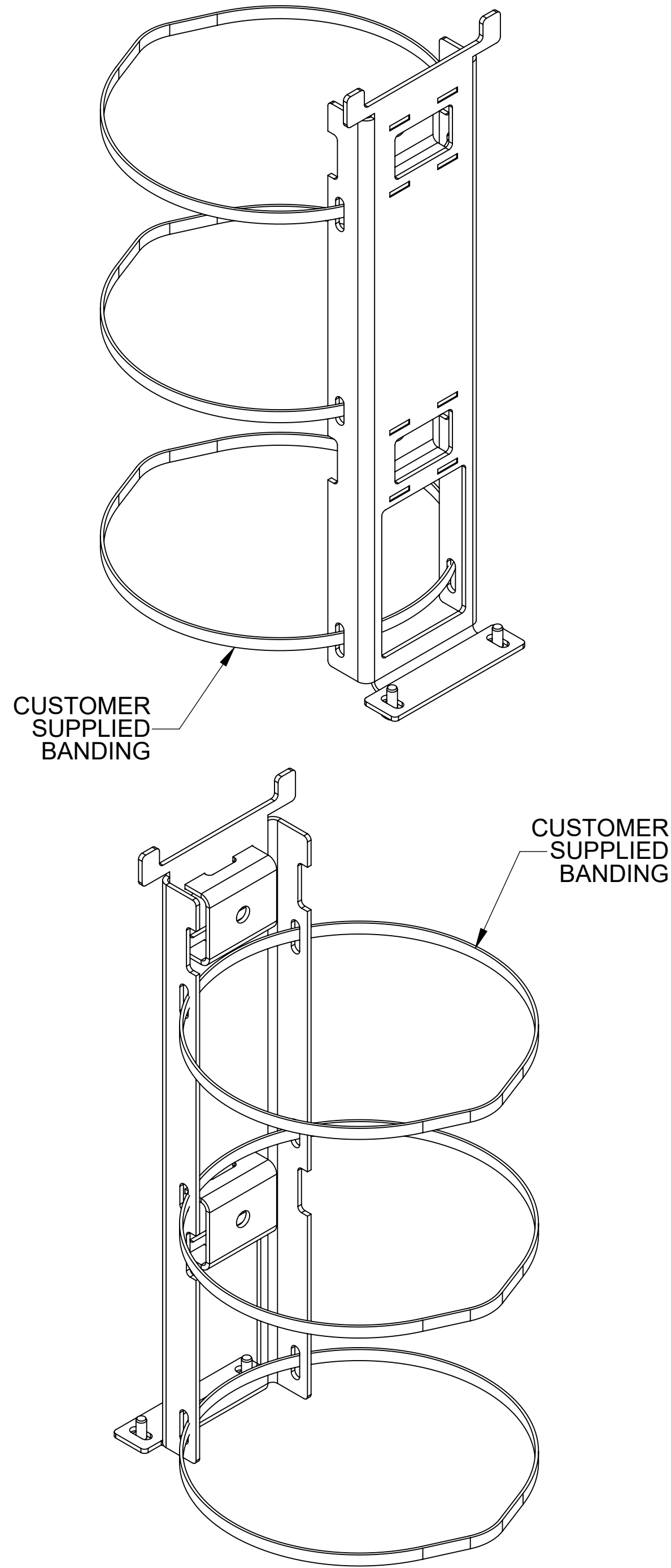
1

NOTES:

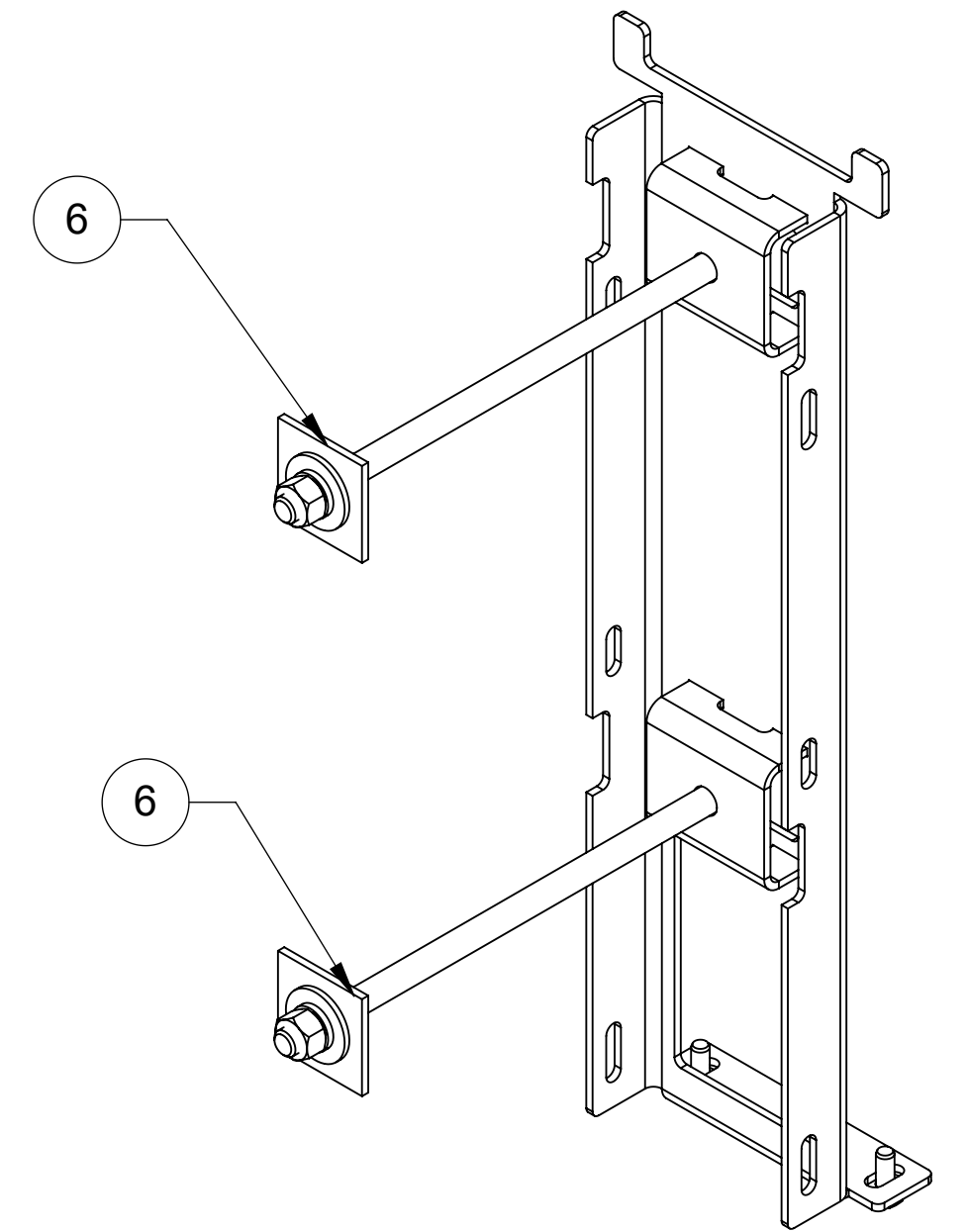
### CLAMPING SET-UP



### BANDING SET-UP



### THROUGH BOLT SET-UP



COMMSCOPE, INC. OF NORTH CAROLINA				
TITLE ENCLOSURE POLE MOUNT ASSEMBLY				
SIZE <b>C</b>	SCALE <b>1:8</b>	DOCUMENT NO. <b>MTC3959S</b>		
		DRAWING		SHEET
		VERSION	STATUS	REVISION
		02	RE	F
				4 OF 4

4

3

2

1

D

D

C

C

B

B

A

A