

4

3

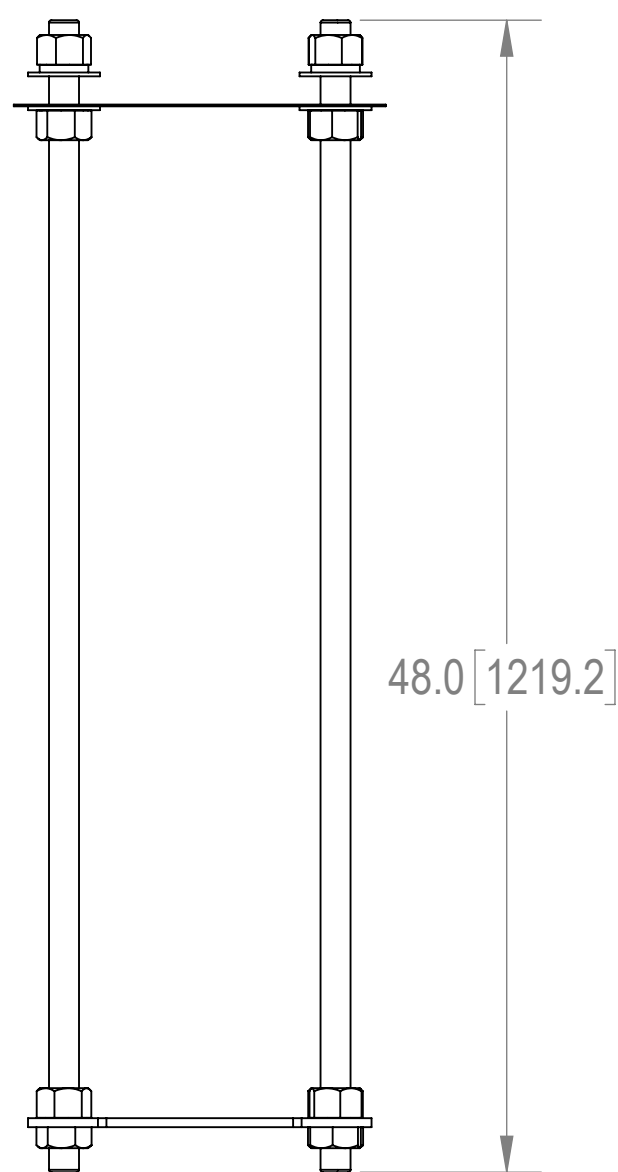
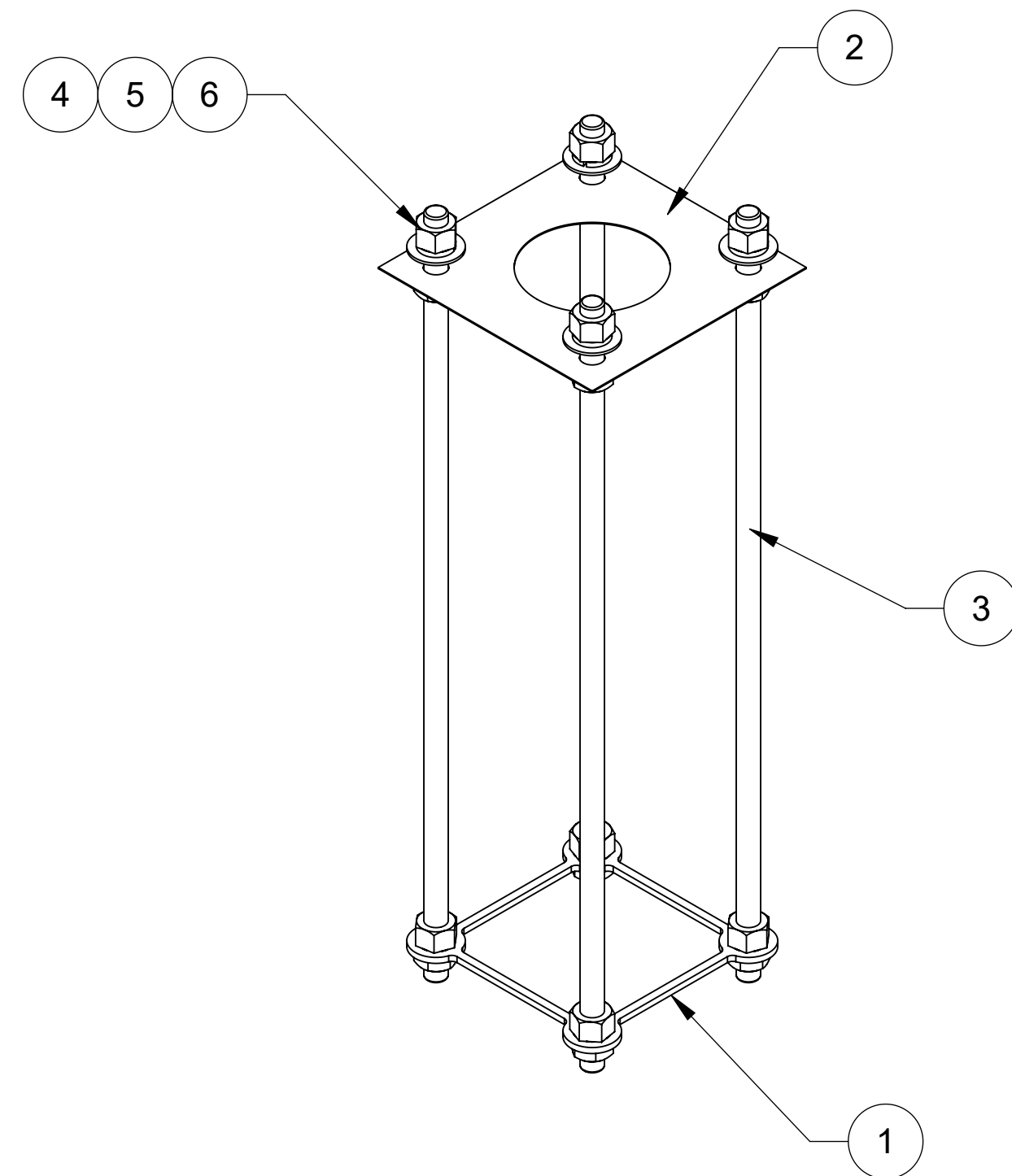
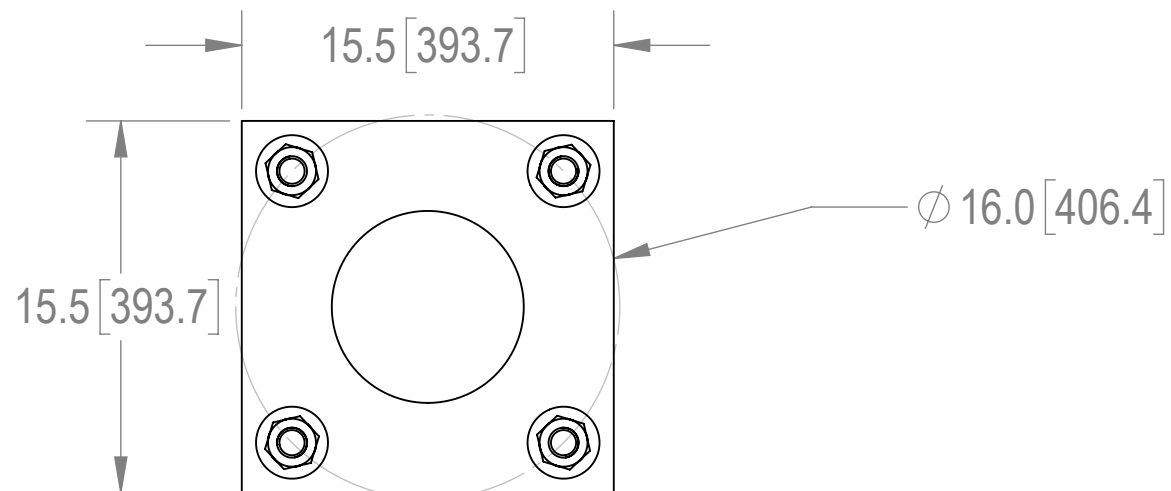
2

1

1. GENERAL NOTES

- 1.1 ALL METRIC DIMENSIONS ARE INDICATED BY [X.X]
- 1.2 FEATURES CRITICAL TO QUALITY ARE INDICATED BY (X.X)

REVISIONS				
REV	ECN	DESCRIPTION	BY	DATE
A	8000037930	INITIAL RELEASE	SF1043	12/19/2019



COMMSCOPE, INC. OF NORTH CAROLINA													
TOLERANCES					SAP MATERIAL MASTER								
0 PLACE X ± .25		2 PLACE .XX ± .06			860641110-FK								
1 PLACE .X ± .12		ANGLES ± 2°											
FINISH N/A					MATERIAL SEE BOM								
UNLESS OTHERWISE SPECIFIED DIMENSIONS ARE IN MILLIMETERS INTERPRET PER ISO STANDARDS HANDBOOK TECHNICAL DRAWINGS VOLUMES 1 & 2, THIRD EDITION (2002)	CE	SF1043	12/19/2019	FOUNDATION KIT, 16" BC, 48" X 1.25 ROD									
	RW	SF1043	12/26/2019										
	AD	CB1074	01/06/2020										
	RE	SF1043	01/06/2020										
	ECN 008000037930												
SCALE 1:8		DOCUMENT NO. 860641110-FK			SHEET 1 OF 1								
SIZE C		WORK AREA 24		MODEL			DRAWING						
HEIGHT	48.0	VERSION	00	STATUS	RE	REVISION	A	VERSION	00	STATUS	RE	REVISION	A
LENGTH	15.5												
WIDTH	15.5												

ITEM	PART NO.	DESCRIPTION	QTY.	WEIGHT
1	MTC3999FK02	FOUNDATION TEMPLATE BOTTOM, 1.25 HOLES X 16" BC	1	4.20 LBS
2	MTC3999FK01	FOUNDATION TEMPLATE, 1.25 HOLES X 16" BC	1	3.85 LBS
3	MT39312548	THREADED ROD, 1.25-7 X 48,F1554 GR55, GALV	4	16.59 LBS
4	GWF-10	1-1/4" GALV FLAT WASHER	8	0.25 LBS
5	GWL-10	GALV WASHER, LOCK, 1-1/4"	4	0.168 LBS
6	GN-10A	HEX NUT GALV, 1.25-7, HEAVY	16	0.872 LBS

DENSITY	91.06	lbs/in ³
MASS		lbs
VOLUME	323.16	in ³
SURFACE AREA		in ²

4

3

2

1