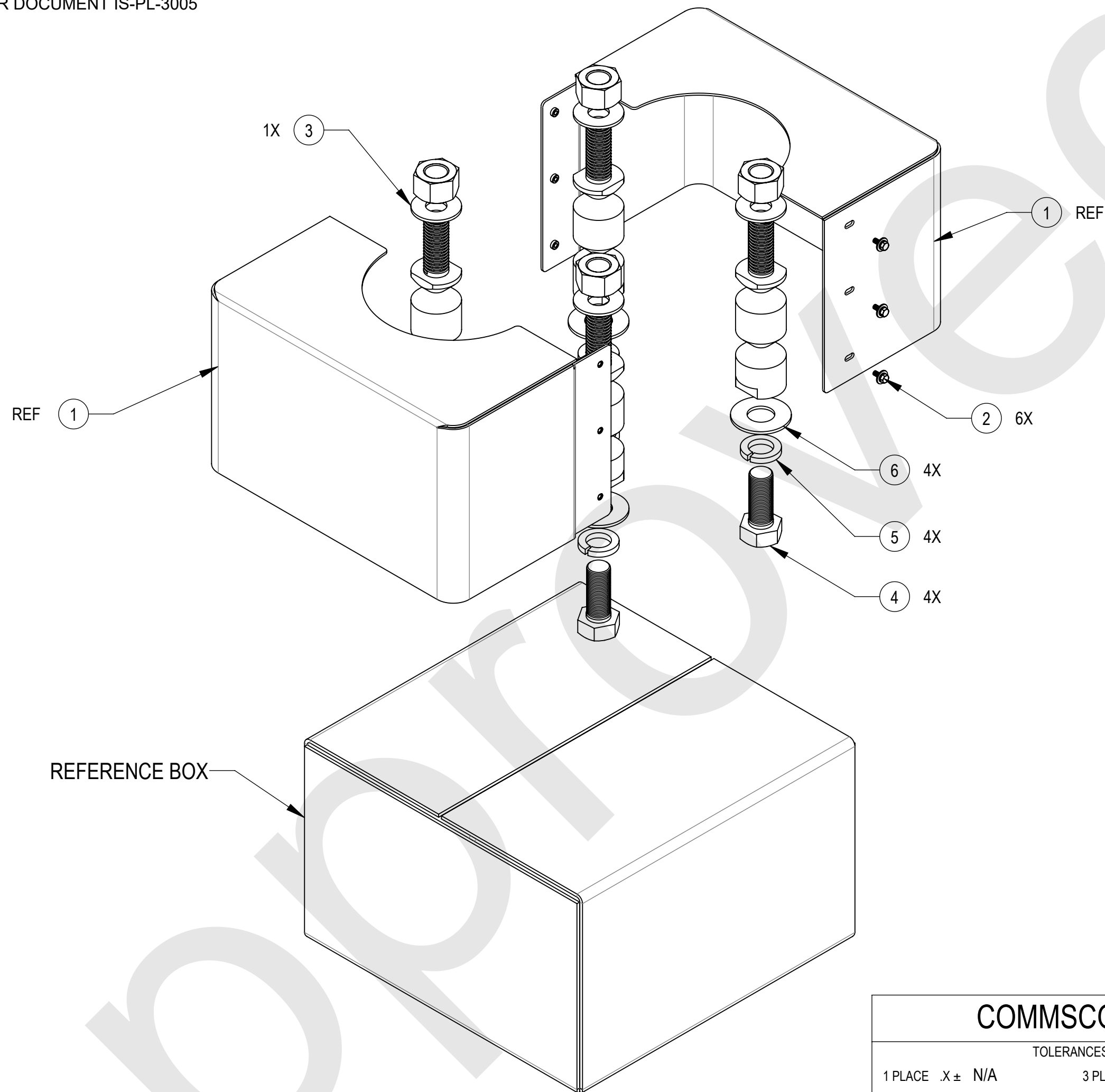


- 1.0 GENERAL NOTES
 - 1.1 NO TOLERANCE
- 2.0 DESIGN NOTES
- 3.0 MANUFACTURING/SPECIAL REQUIREMENTS
 - 3.1 THE FINISHED ITEM IS A SERIES ASSEMBLY. A -XX FINISH SUFFIX DESIGNATES A PRODUCT PART NUMBER THAT REPRESENTS A SPECIFIC COLOR AND/OR FINISH. REFER TO METROCELL DOCUMENT MTM1001 FOR SPECIFIC REQUIREMENTS
 - 3.2 INSTALL HARDWARE ONLY SNUG TIGHT FOR SHIPPING PURPOSES.
- 4.0 TEST
- 5.0 PACKAGING
 - 5.1 UP TO 5% EXTRA HARDWARE MAY BE INCLUDED
 - 5.2 LOOSE HARDWARE TO BE PACKAGED IN PLASTIC BAG
 - 5.3 PACKAGING SHALL MEET COMMSCOPE REQUIRMENTS PER DOCUMENT IS-PL-3005

| REVISIONS | | | | |
|-----------|-------------|---|---------|------------|
| REV. | ECN | DESCRIPTION | BY | DATE |
| A | 8000028488 | INITIAL RELEASE | HN | 02/19/2018 |
| B | 8000030091 | ADDED (4) 1.25-7x 3" HEX BOLT | HN | 5/25/2018 |
| C | 8000044375 | REORDERED NOTES, CONVERTED SLP TO SWD. | PX1012 | 1/7/2021 |
| D | 12051 | UPDATE COVER AND NOTES | MMCFALL | 5/13/2021 |
| E | 40143705CMO | THREADED ROD REPLACED WITH BA3125C0300G, ADDED ITEM 4.5 & 6 IN ZONE C2, DELETED NOTE 2.1 & UPDATED NOTE 3.2 | JL1183 | 2/21/2022 |



BOM IS FOR REFERENCE ONLY, PART NUMBER SUBSTITUTIONS MAY BE MADE

| ITEM | PART NO. | DESCRIPTION | QTY. | NOTE NO. |
|------|-----------------|--|------|----------|
| 1 | MTM1128-1100-XX | BASEPLATE COVER WELDMENT, 8IN POLE, TALL | 2 | |
| 2 | 460155492 | SEMS, HCS M6 X 16MM WITH CAPTIVE WASHERS | 6 | 5.1, 5.2 |
| 3 | 460160402 | COUPLING, 1.25IN BREAK AWAY | 1 | |
| 4 | BA3125C0300G | 1.25-7 X 3" HEX GALV BOLT HDG | 4 | |
| 5 | GWL-10 | GALV WASHER, LOCK, 1-1/4" | 4 | |
| 6 | GWF-10 | 1-1/4" GALV FLAT WASHER | 4 | |

| | | |
|--------------|---------|---------------------|
| DENSITY | | lbs/in ³ |
| MASS | 55.01 | lbs |
| VOLUME | 4332 | in ³ |
| SURFACE AREA | N/A | in ² |
| HEIGHT | 12.0 in | |
| LENGTH | 19.0 in | |
| WIDTH | 19.0 in | |

COMMSCOPE, INC. OF NORTH CAROLINA

| | | | | | | | | |
|--|------------------|--------------------------------------|---|---------|----------|-----------------|---------|--------|
| TOLERANCES | | SAP MATERIAL MASTER | | | | | | |
| 1 PLACE .X ± N/A | 3 PLACE .XXX ± | 860641257-XX | | | | | | |
| 2 PLACE .XX ± | ANGLES ± | | | | | | | |
| FINISH SEE NOTES | | MATERIAL SEE BOM | | | | | | |
| UNLESS OTHERWISE SPECIFIED DIMENSIONS ARE IN MILLIMETERS INTERPRET PER ISO STANDARDS UNLESS OTHERWISE SPECIFIED IN VOLUMES 1 & 2, THIRD EDITION (2002) | NAME | DATE | TITLE MC BREAKAWAY KIT WITH COVERS SERIES | | | | | |
| | CE PX1012 | 01/7/2021 | | | | | | |
| | RW JL1183 | 03/08/2022 | | | | | | |
| | AD DM1121 | 03/08/2022 | | | | | | |
| | RE DM1121 | 02/25/2022 | | | | | | |
| ECN 40143705CMO | SCALE 1:5 | DOCUMENT NO. 860641257 SERIES | | | | | | |
| SIZE | WORK AREA | INSL | MODEL | DRAWING | | SHEET 1 OF 1 | | |
| C | | | VERSION | STATUS | REVISION | | VERSION | STATUS |
| | 02 | RE | C | 03 | AD | E | | |