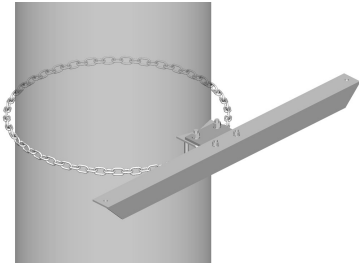


CM-SL30



Light Duty Stiff Arm Mount, one 8 ft chain

OBSOLETE

Product Classification

Product Type Stiff arm mount

General Specifications

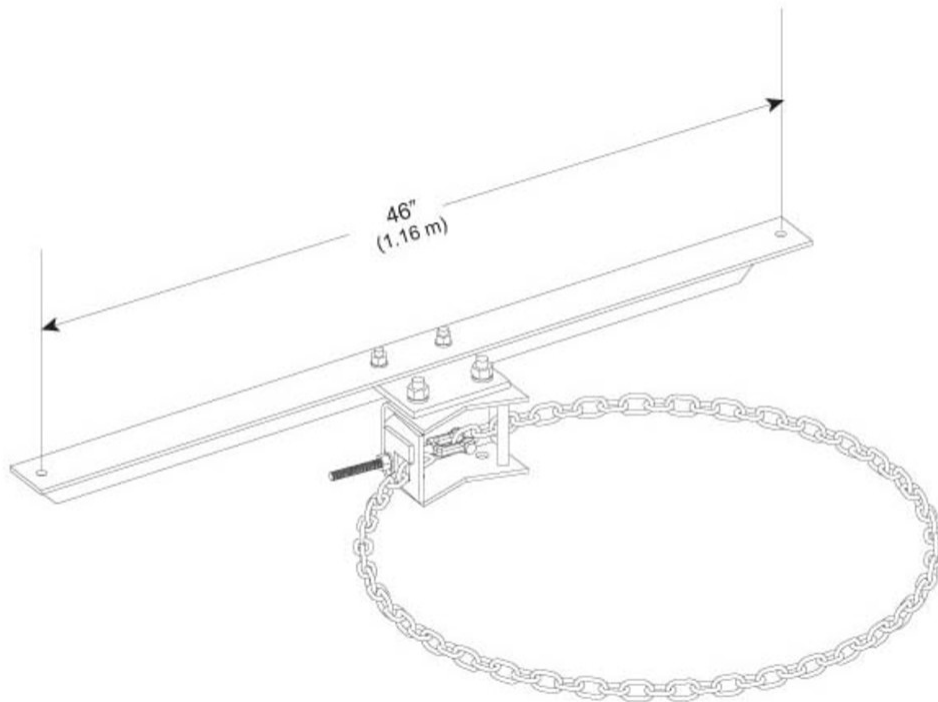
Chains, quantity 1

Dimensions

Height	152.4 mm 6 in
Width	203.2 mm 8 in
Length	1,168.4 mm 46 in
Chain Length	2,400.3 mm 94.5 in
Mounting Diameter, maximum	762 mm 30 in
Mounting Diameter, minimum	203.2 mm 8 in
Stand-off Distance	1,219.2 mm 48 in
Mounting Circumference, maximum	2,392.68 mm 94.2 in
Mounting Circumference, minimum	635 mm 25 in

CM-SL30

Outline Drawing



Material Specifications

Material Type Hot dip galvanized steel

Packaging and Weights

Included Chains | Stiff arm attachment

Packaging quantity 1

Weight, net 16.8 kg | 37.038 lb

Regulatory Compliance/Certifications

Agency

ISO 9001:2015

Classification

Designed, manufactured and/or distributed under this quality management system

