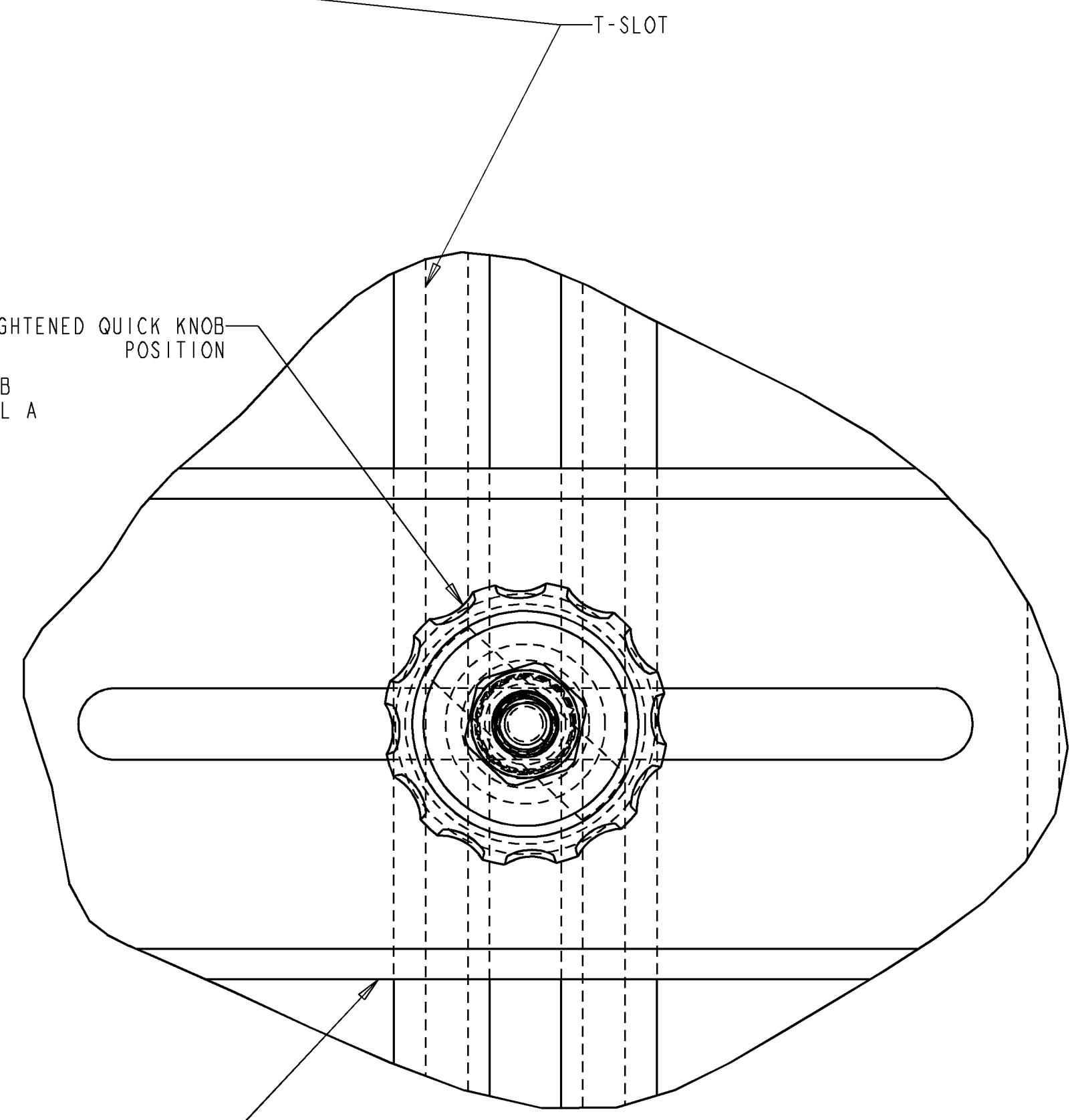
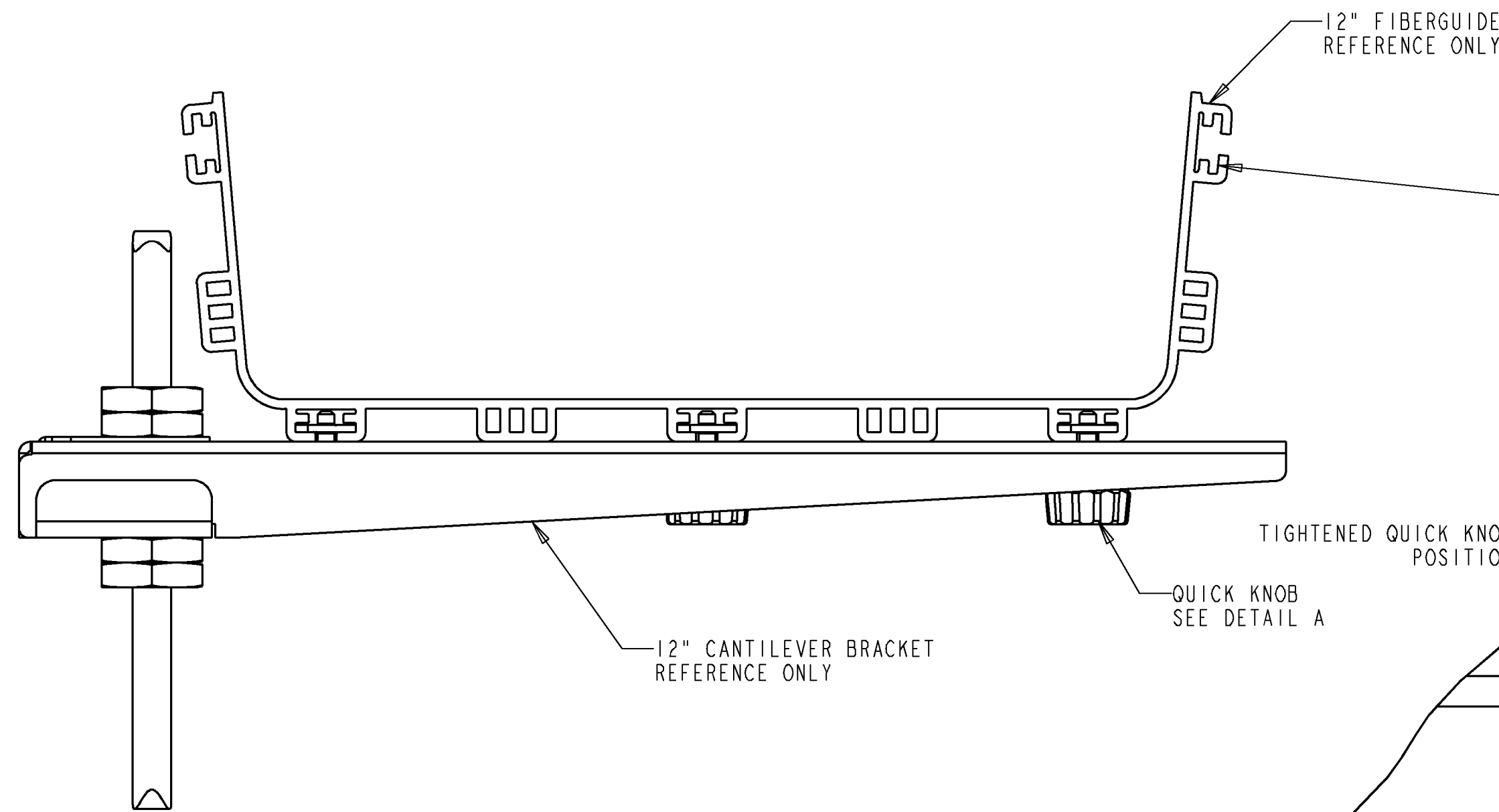
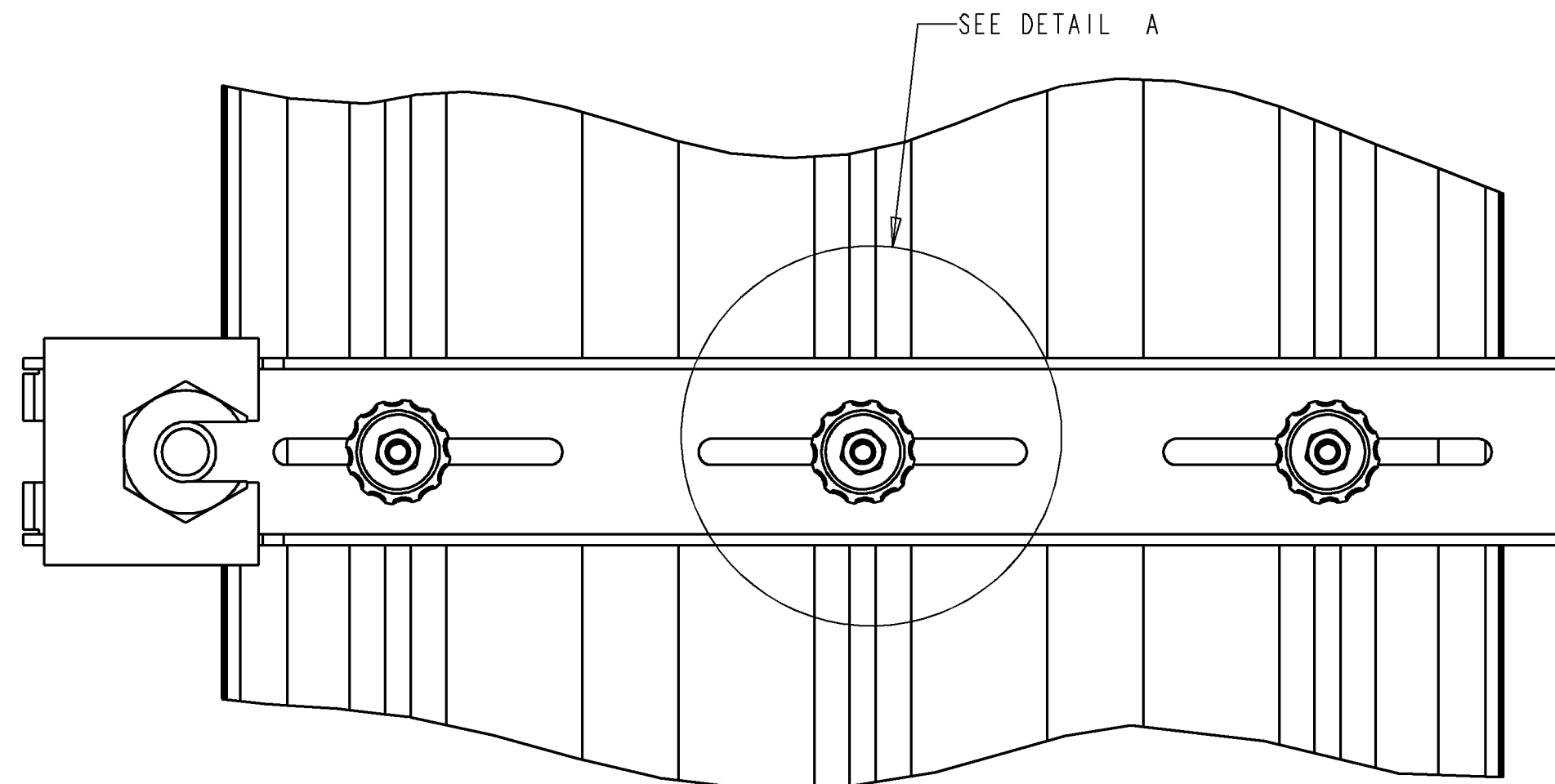


| REV | ECO      | DWN | DATE      |
|-----|----------|-----|-----------|
| A   | 20087399 | CNC | 10-APR-01 |
| --- | -----    | --- | -----     |



DETAIL A  
SCALE 2.000



- NOTES:
- QUICK KNOB INSTALLATION INSTRUCTIONS: (FOR MOUNTING TO STRAIGHT SECTIONS ONLY)
    - INSERT QUICK KNOB ASSEMBLY THROUGH BRACKET, ROTATE 90°, AND INTO T-SLOT IN FGS STRAIGHT SECTION. ROTATE QUICK KNOB CLOCKWISE SUCH THAT QUICK KNOB FLANGES EXTEND INTO T-SLOT. HAND TIGHTEN KNOB. SEE DETAIL A.
  - QUICK KNOB INSTALLATION INSTRUCTIONS APPLY TO 4", 6", AND 12" FIBERGUIDE. QUANTITY OF QUICK KNOBS DIFFERS (SEE TABLE).
  - QUICK KNOB INSTALLATION INSTRUCTIONS APPLY TO MOST SLOTTED FIBERGUIDE BRACKETS. (CANTILEVER SHOWN AS REFERENCE.)

| BRACKET KIT APPLICATION | QUICK KNOB QTY | BOSS SCREW QTY |
|-------------------------|----------------|----------------|
| 4" FGS                  | 2              | NONE           |
| 6" FGS                  | 2              | NONE           |
| 12" FGS                 | 3              | 3              |



INFORMATION ON THIS DOCUMENT IS PROPRIETARY TO ADC AND SHALL NOT BE USED, COPIED, REPRODUCED OR DISCLOSED IN WHOLE OR IN PART WITHOUT WRITTEN CONSENT OF ADC.

TOLERANCE UNLESS OTHERWISE SPECIFIED: .XX: ±.02  
XXX: ±.010  
ANGULAR: ±2°

THIRD ANGLE PROJECTION

DO NOT SCALE DRAWING

ENGR: DEREK DERKS  
DWN: CRAIG ZELASKO

TITLE: FGS QUICK KNOB/BOSS SCREW, INST DRW

DRAWING NUMBER: 1168819

SHT. 1 OF 2

| REV | ECO | DWN | DATE |
|-----|-----|-----|------|
|     |     |     |      |
|     |     |     |      |

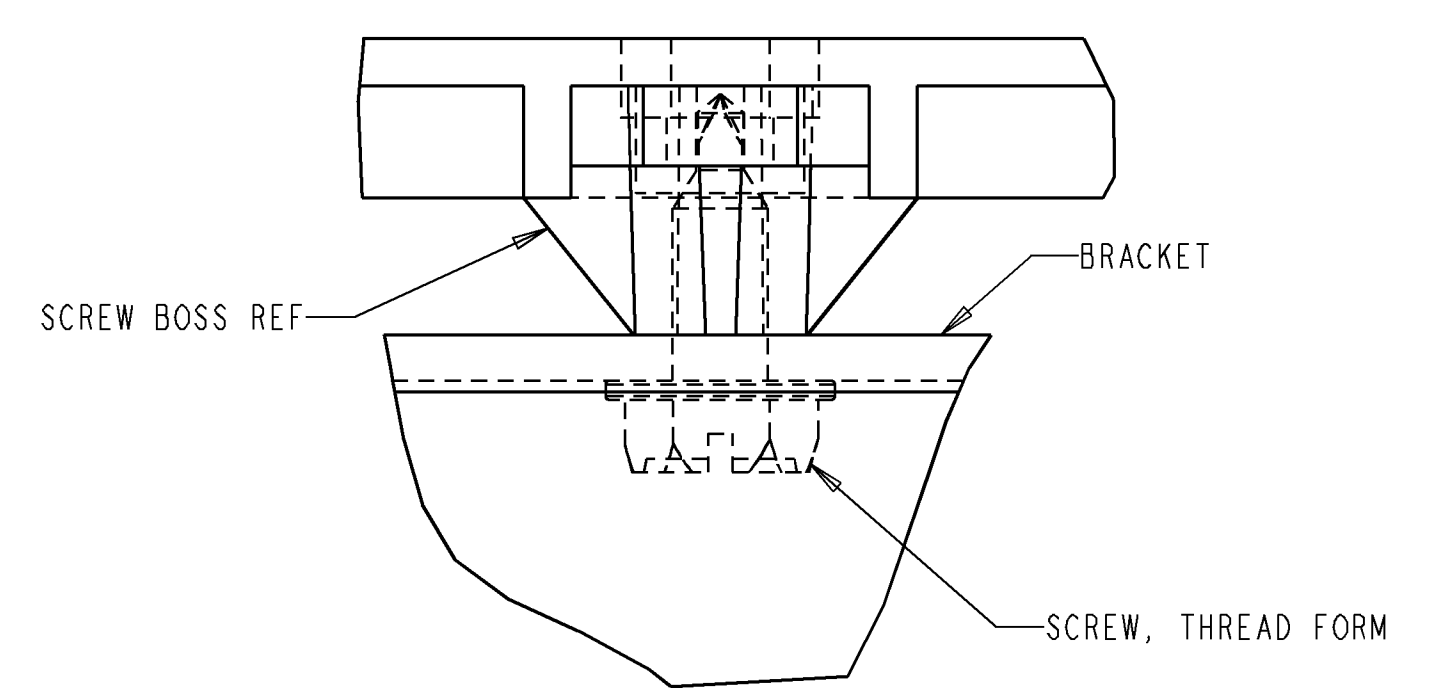
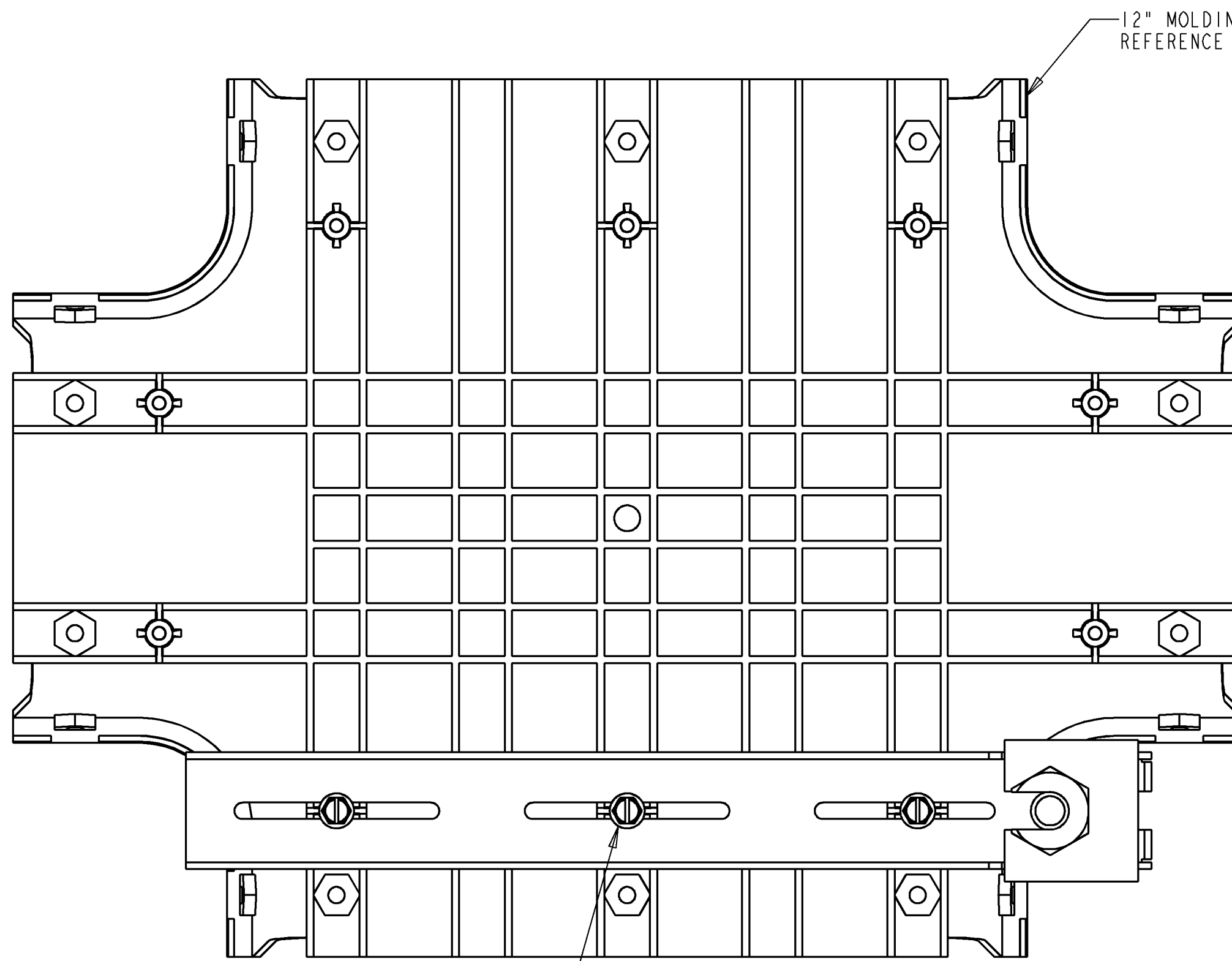


FIGURE B  
SCALE 2.00

SEE FIGURE B

4. SCREW INSTALLATION INSTRUCTIONS: (FOR MOUNTING TO FITTINGS ONLY)

(1) INSERT SCREW THROUGH BRACKET AND INTO SCREW BOSS ON MOLDED FITTING. TIGHTEN SCREW. SEE FIGURE B.

NOTE- IF MOUNTING BRACKET TO FITTINGS, BRACKET MUST BE POSITIONED APPROXIMATELY 3/8" LOWER THAN BRACKETS USED ON STRAIGHT SECTIONS.

5. BOSS SCREW INSTALLATION INSTRUCTIONS APPLY TO ONLY 12" FIBERGUIDE FITTINGS.

6. BOSS SCREW INSTALLATION INSTRUCTIONS APPLY TO MOST SLOTTED 12" FIBERGUIDE BRACKETS. (CANTILEVER SHOWN AS REFERENCE.)



|   |                      |  |             |
|---|----------------------|--|-------------|
| INFORMATION ON THIS DOCUMENT IS PROPRIETARY TO ADC AND SHALL NOT BE USED, COPIED, REPRODUCED OR DISCLOSED IN WHOLE OR IN PART WITHOUT WRITTEN CONSENT OF ADC. |                      | TITLE<br><b>FGS QUICK KNOB/BOSS SCREW, INSTL DRW</b> |             |
| TOLERANCE UNLESS OTHERWISE SPECIFIED<br>.XX:±N/A<br>.XXX:±N/A<br>ANGULAR:±N/A   | C<br>SIZE            | DRAWING NUMBER<br><b>1168819</b>                     | A<br>REV    |
| THIRD ANGLE PROJECTION<br>  | DO NOT SCALE DRAWING | ENGR:DEREK DERKS<br>DWN:CRAIG ZELASKO                | SHT. 2 OF 2 |