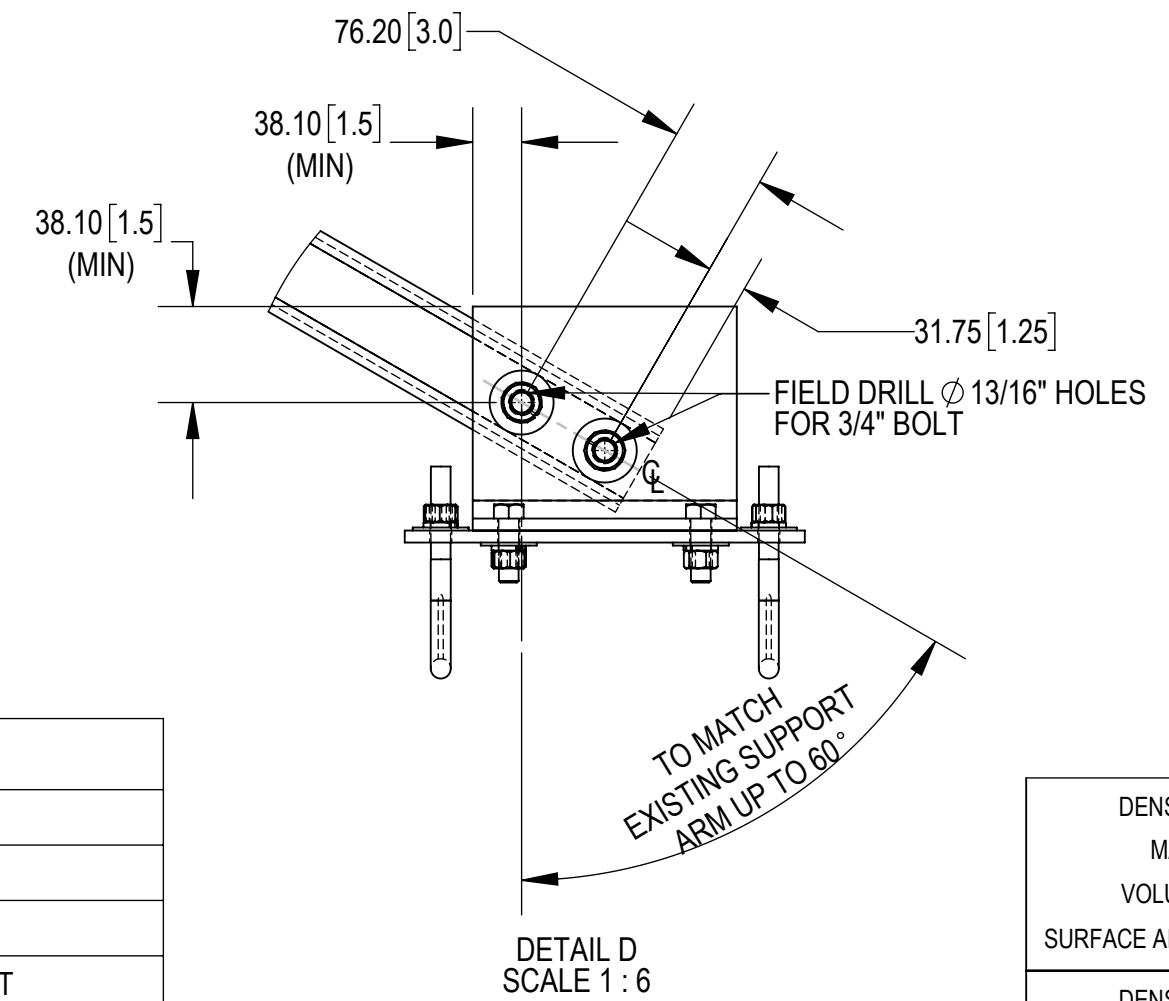
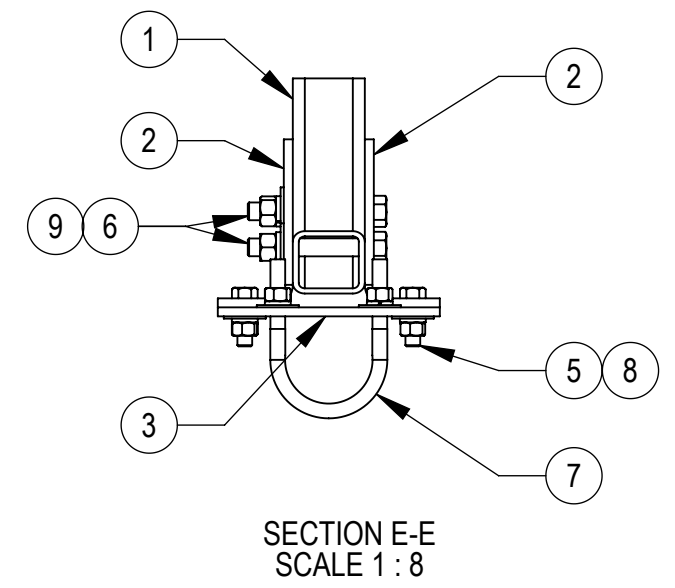
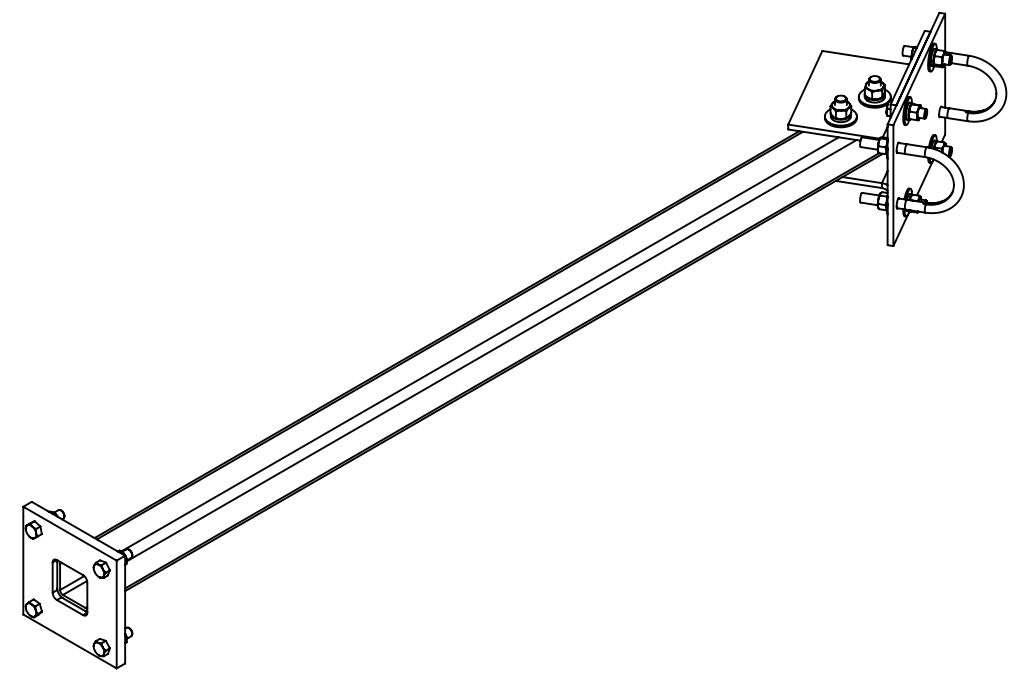
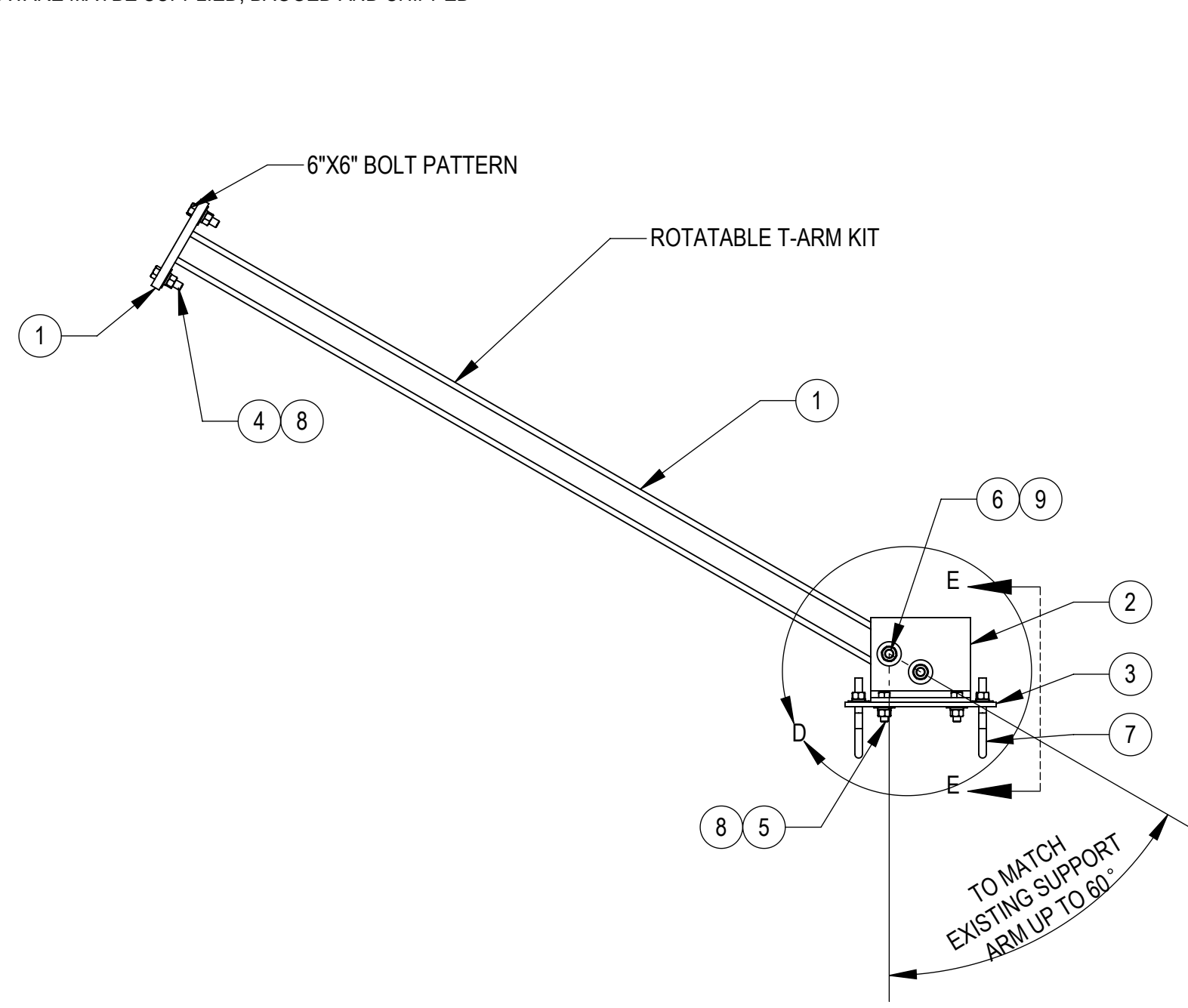


- 1.0 GENERAL NOTES
 1.1 ALL IMPERIAL DIMENSIONS ARE IN BRACKETS [X.XX]
 1.2 MARK PART WITH IDENTIFICATION NUMBER
 2.0 DESIGN NOTES
 3.0 MANUFACTURING/SPECIAL REQUIREMENTS
 3.1 TIGHTEN ALL BOLTS SECURING FLAT PLATES BY THE TURN-OF-NUT METHOD. TIGHTEN ALL U-BOLTS USING TURN-OF-NUT METHOD WITH ATTENTION TO LEAVE EQUAL DISTANCE AND EQUAL FORCE ON EACH LEG OF THE U-BOLT.
 4.0 TEST
 5.0 PACKAGING
 5.1 PACKAGING SHALL MEET COMMSCOPE REQUIREMENTS PER DOCUMENT IS-PL-3005
 5.2 PRINTED DOCUMENT TO BE PLACED INSIDE POLYBAG AND THEN IN SHIPPING CONTAINER
 5.3 EXTRA HARDWARE MAYBE SUPPLIED, BAGGED AND SHIPPED

REVISIONS			
REV.	DESCRIPTION	DATE	APPROVED
A	INITIAL RELEASE	JL1183 16MAR23	JAHAINES 40168212CMO



COMPONENT PART NUMBERS PROVIDED FOR ASSEMBLY PURPOSES;
 INDIVIDUAL COMPONENTS MAY BE SHIPPED AS PARTS WITHIN AN INCLUDED KIT.

ITEM NO.	PART NUMBER	DESCRIPTION	QTY.	NOTE
1	SFK4-F1	WELDMENT, T-ARM	1	
2	SFK4-F2	PLATE, BEND	2	
3	SFK4-F3	PLATE, SUPPORT BRACE KIT	1	
4	GB-0522A	5/8" X 2-1/4" GALV BOLT KIT (A325)	4	INCLUDES BOLT, LOCK WASHER AND NUT
5	GB-0520A	5/8" X 2" GALV BOLT KIT (A325)	4	INCLUDES BOLT, LOCK WASHER AND NUT
6	GB-0652A	3/4" X 5-1/4" GALV BOLT KIT (A325)	2	INCLUDES BOLT, LOCK WASHER AND NUT
7	GUB-53560	5/8" X 3-5/8" X 6" GALV U-BOLT	2	INCLUDES U-BOLT, FLAT WASHERS, LOCK WASHERS AND NUTS
8	GWF-05	5/8" GALV FLAT WASHER, 1.70D	8	
9	GWF-06	3/4" GALV FLAT WASHER	2	

DENSITY	102.13	lbs/in ³
MASS	102.13	lbs
VOLUME	360.13	in ³
SURFACE AREA	2539.69	in ²
DENSITY	46421.47	g/mm ³
MASS	5901818.09	grams
VOLUME	1638507.49	mm ³
SURFACE AREA	318[12.5]	
HEIGHT	1880[74.0]	
LENGTH	236[9.3]	
WIDTH		

COMMSCOPE, INC. OF NORTH CAROLINA

TOLERANCES
 0 PLACE X[.X] ± 6[0.25] 2 PLACE .XX[.XXX] ± 1.50[0.06]
 1 PLACE .X[.XX] ± 3.0[0.12] ANGLES ± 2°

SAP MATERIAL MASTER
MUK-SFK4

FINISH: _____ MATERIAL: _____

REV.	NAME	DATE	TITLE
CE	JL1183	16MAR23	SUPPORT RAIL BRACING KIT, T-ARM KIT
RW	JL1183	03/21/2023	
AD	YW1045	03/23/2023	
RE	YMENG	03/24/2023	

UNLESS OTHERWISE SPECIFIED DIMENSIONS ARE IN MILLIMETERS INTERPRET PER ANSI Y 14.5M-1994

SCALE: **1:12** DOCUMENT NO.: **MUK-SFK4**

ECN 40168212CMO

SIZE	Auth Group	INSL	MODEL	DRAWING			SHEET		
VERSION	STATUS	REVISION	VERSION	STATUS	REVISION				
A2			00	RE	A	00	RE	A	1 OF 1

© 2023 CommScope, Inc. Confidential